

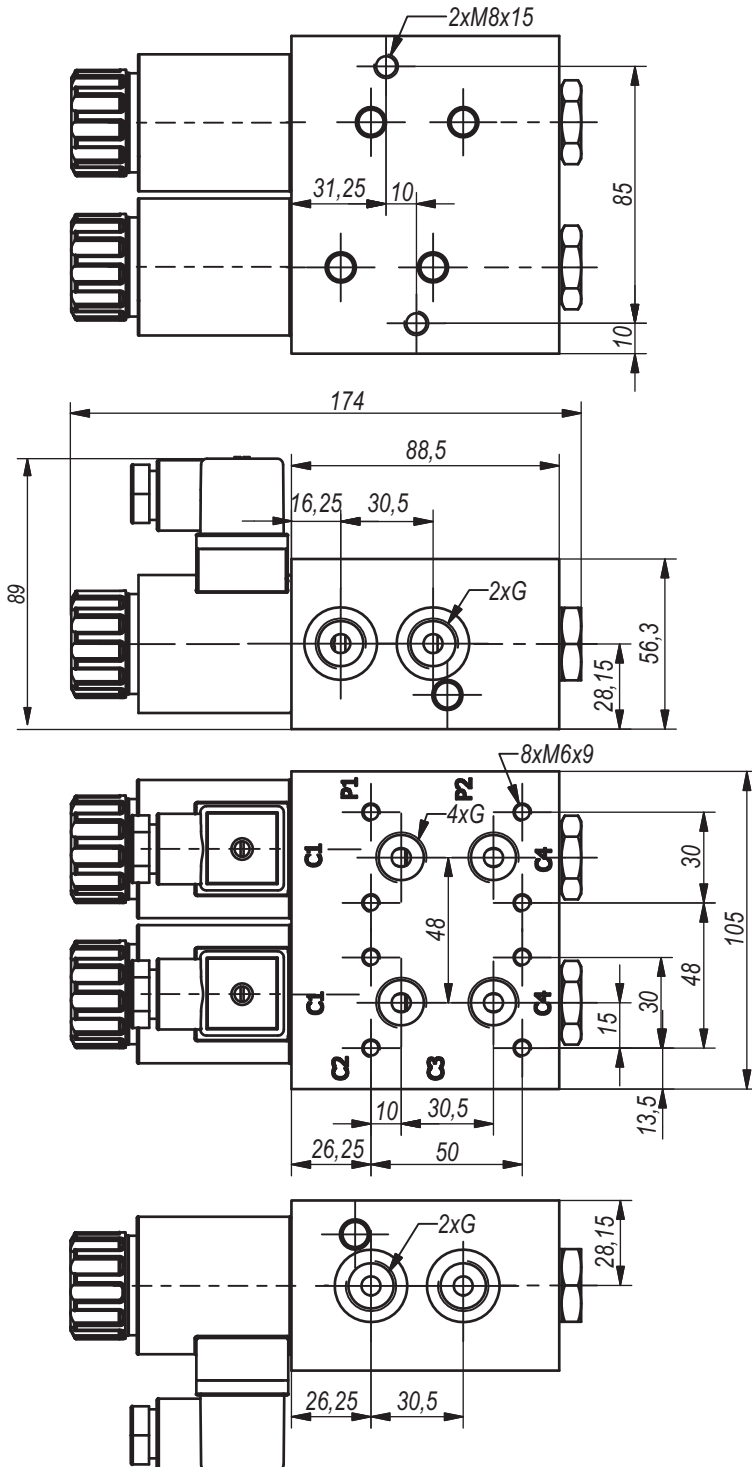
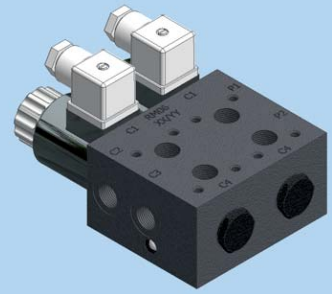


**Hidro  
Pnevmo  
Tehnika**

3, Vojeli St., Kazanlak, Bulgaria  
Tel.: +359 431/ 62 228  
e-mail : info@hpt-bg.com  
www.hpt-bg.com

## SOLENOID OPERATED DIRECTIONAL CONTROL VALVE

**RM 06 .. / ..**



**Note:**

1. The RM directional control valves are of the RS type, as two directional control valves are mounted in one block (monoblock directional control valve).
2. For technical data see p. 1.2.
3. Tightening torque for the solenoids to the directional control valves -25 N.m.

**ORDERING CODE**

**RM 06 .. / ..**

Type

Port threads "G" - code:  
**G3/8" - omit**

Operating voltage - code:  
**12V / 00Hz - 12**  
**24V / 00Hz - 24**