

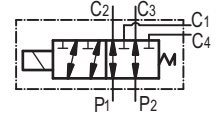
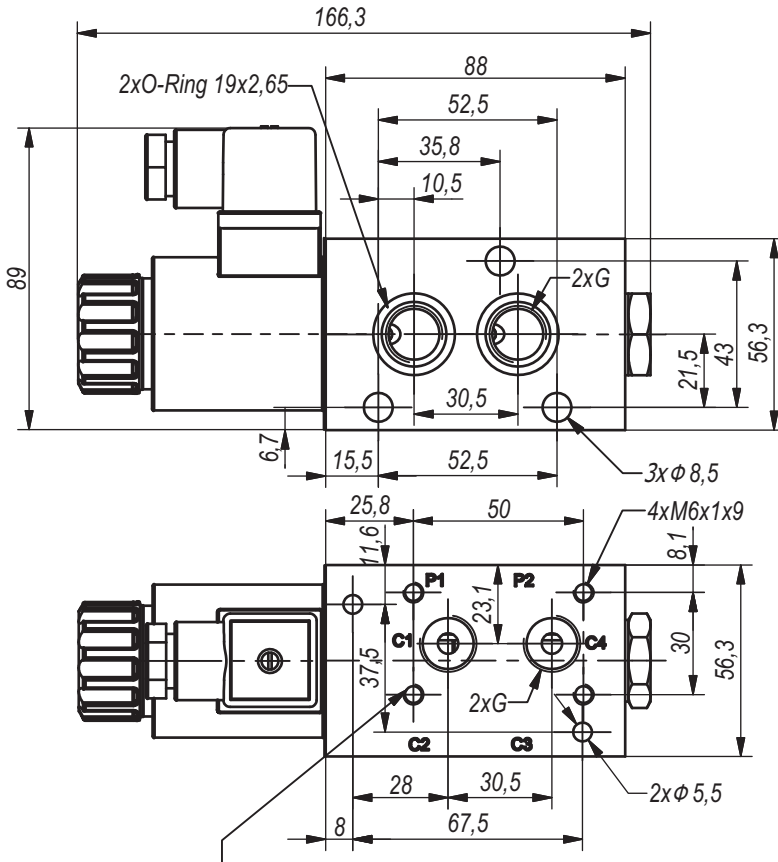
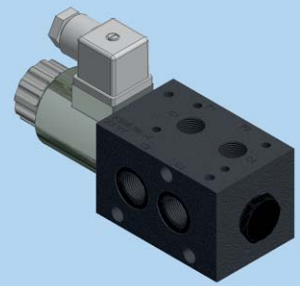


**Hidro
Pnevmo
Tehnika**

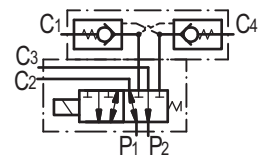
3, Vojeli St., Kazanlak, Bulgaria
Tel.: +359 431/ 62 228, 68 440
e-mail: info@hpt-bg.com
www.hpt-bg.com

SOLENOID OPERATED DIRECTIONAL CONTROL VALVE

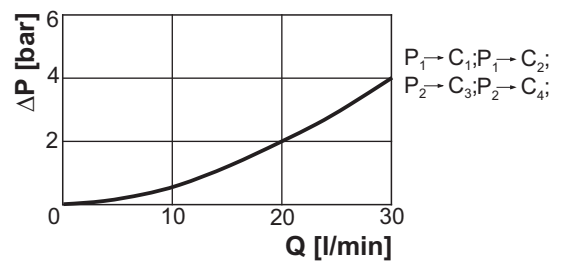
. RS06 ... / ..-2



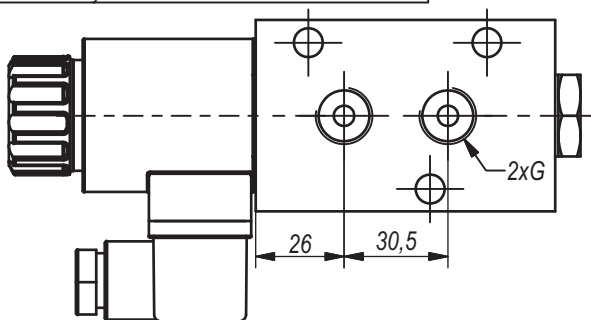
Hydraulic scheme 1



$$\Delta P = f(Q)$$



A VBD-R-38 valve is possible to be mounted to the four holes with thread M6 (see p.5.5 of chapter 5), according to the hydraulic scheme 1. The VBD-R-38 valve is mounted only if that has been demanded by the customer.



Note:

- All performances and calibration are carried out by using hydraulic oil with viscosity approx 46 cSt at 50 °C.
- Tightening torque for the solenoid - 25 N.m.

TECHNICAL DATA		
General		
Ambient temperature	°C	-20...+50
Hydraulic		
Maximal pressure	bar	250
Maximal flow rate	L/min	30
Working fluid - mineral oil		
- viscosity	mm ² /s	10...100
- filtration level	mm	25 or better
- temperature	°C	-20...+80
Power supply		
Voltage	V DC	12
		24

ORDERING CODE

. RS06 V 38 / 12-2

Number of sections: **1...8**
One section: **Omit**
/for 2...8 sections see page 1.4/

Type

Version- code:
Interface for mounting of
VBD-R-38 - **V**
No interface for mounting of
VBD-R-38 - **Omit**

Port threads "G" - code:
G3/8" - 38

Operating voltage - code:
12V / 00Hz - 12
24V / 00Hz - 24
110V/50Hz - 110
220V/50Hz - 220