

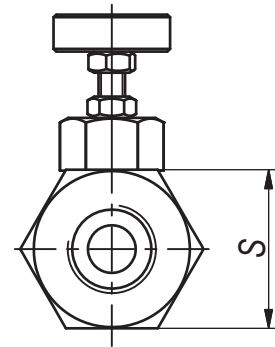
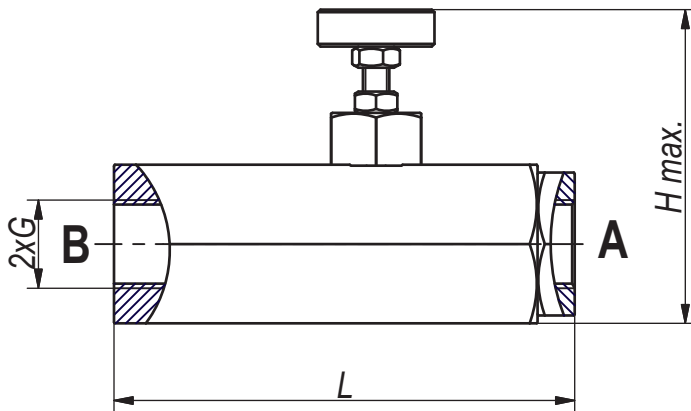
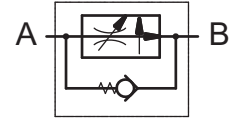
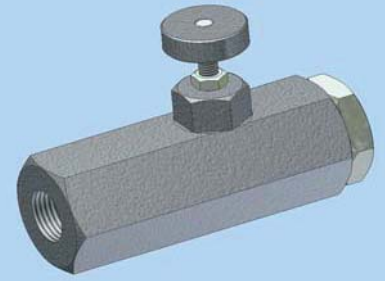


**Hidro
Pnevmo
Tehnika**

3, Vojeli St., Kazanlak, Bulgaria
Tel.: +359 431/ 62 228, 68 440
e-mail : info@hpt-bg.com
www.hpt-bg.com

FLOW CONTROL VALVE

RD2 ..



Type	P _{max.} bar	Q _{max.} L/min	Q _{min.} L/min	L mm	H mm	G	S mm
RD2-10	250	10	1	83	54	G1/4	30
RD2-25		25	1,5	87	60	M18x1,5	30
RD2-25-38		25	1,5	87	60	G3/8	30
RD2-40		40	1,5	87	70	G3/8	36
RD2-40-12		40	1,5	101	70	G1/2	32

All performances and calibration are carried out by using hydraulic oil with viscosity approx. 46 cSt at 50°C .
Temperature range: -20°C...+80°C
Filtration absolute: 15 µm

ORDERING CODE

