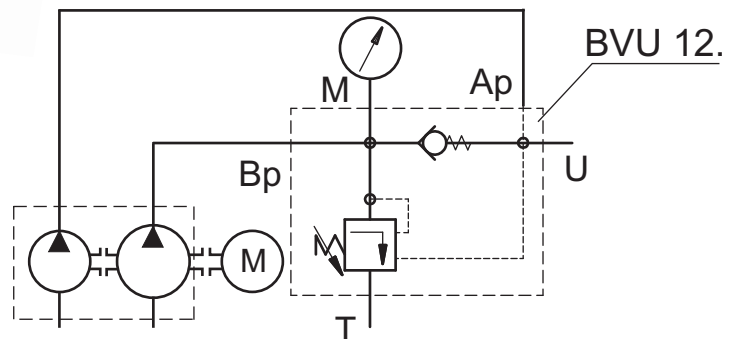
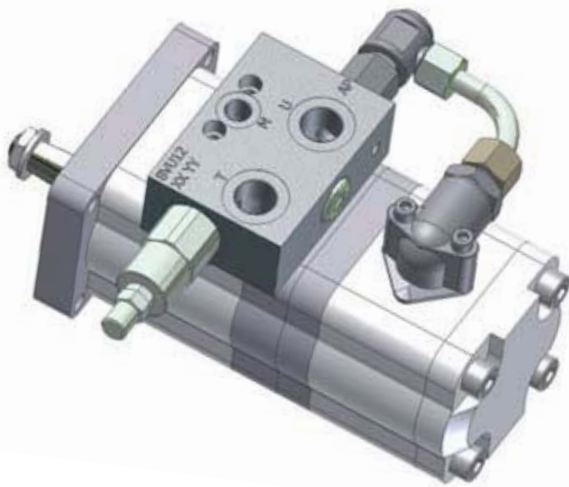
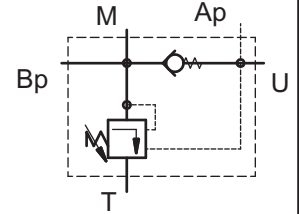




Many systems require a high volume at low pressure for rapid traverse of a vise or tool, and then low volume, high pressure for clamping or feeding. This can be accomplished by a hi-low circuit using two pumps. During rapid traverse, both pumps supply the system. When pressure rises during clamping or feed, the large-volume main pump unloads, and the small pump maintains pressure. Output flow of the small pump is low enough to prevent heating of the oil.



Block BVU12 is designed to be used in hydraulic systems with tandem gear pumps series 20. It is mounted directly on one of the pumps by two bolts. The function of the block is to unload the pump on which it is mounted, by connecting its inlet with the port T. This happens when the adjusted pressure of the cartridge unloading valve is reached. The second pump remains connected to the system to maintain pressure. In case of pressure reduction below the adjusted rate, the unloaded pump reconnects to the system.

TECHNICAL DATA			
		at port Ap	at port Bp
Max working pressure	bar	210	80
Maximum flow rate	L/min	15	45
Adj. pressure range	bar		20...80

Note:

1. All performances and calibration are carried out by using hydraulic oil with viscosity approx 46 cSt at 50°C
2. Temperature range: -20...+80°C
3. Filtration absolute: 25 μ m

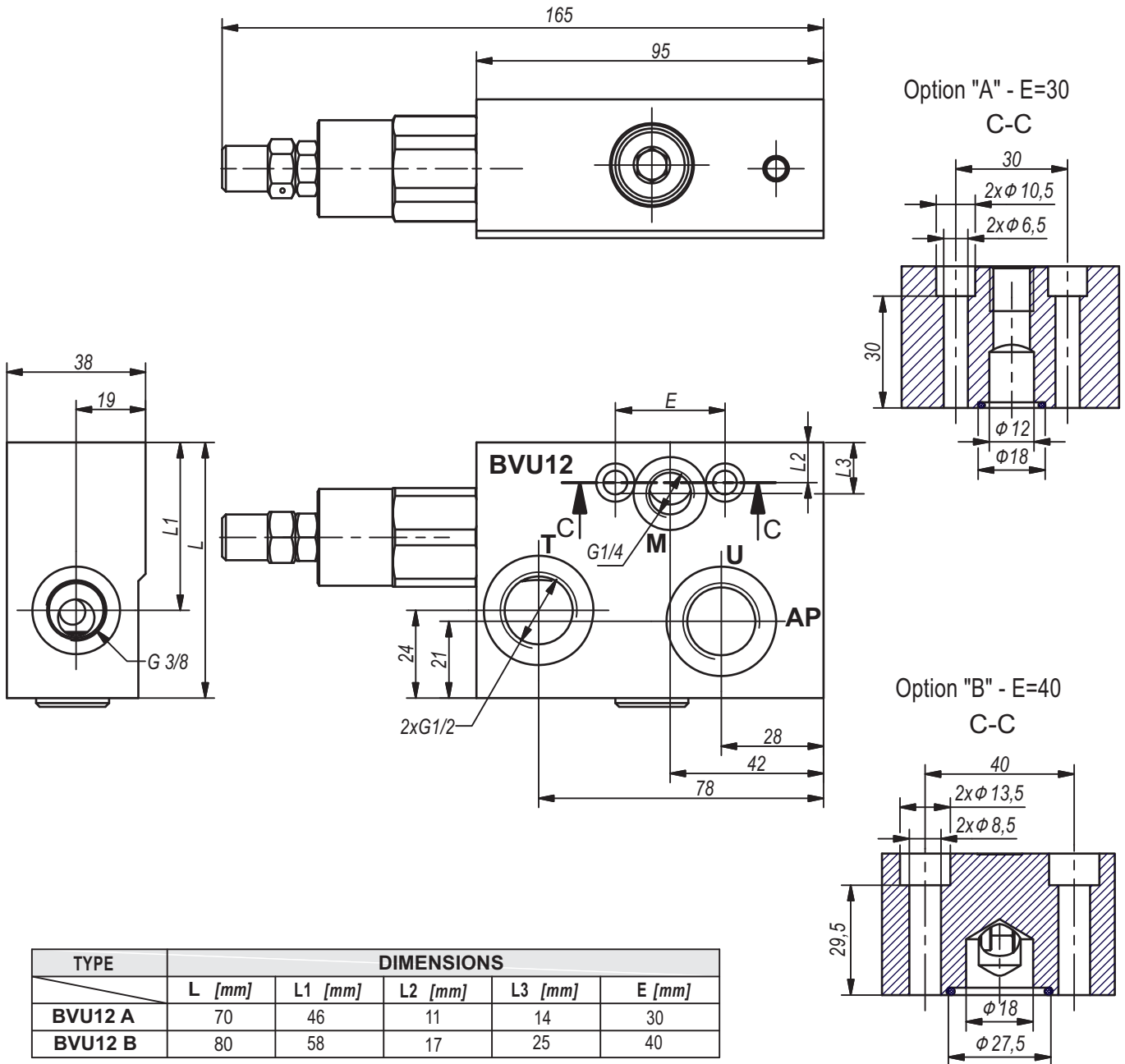


**Hidro
Pnevmo
Tehnika**

3, Vojeli St., Kazanlak, Bulgaria
Tel.: +359 431/ 62 228, 68 440
e-mail : info@hpt-bg.com
www.hpt-bg.com

TANDEM PUMP HI-LOW UNLOADING VALVES

BVU 12.



ORDERING CODE

BVU12 A

