

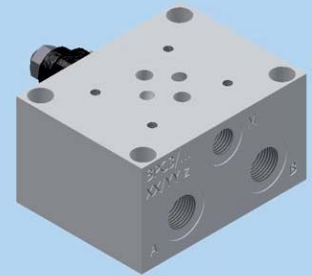


**Hidro  
Pnevmo  
Tehnika**

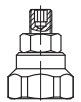
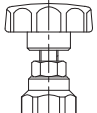
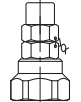
3, Vojeli St., Kazanlak, Bulgaria  
Tel.: +359 431/ 62 228, 68 440  
e-mail : info@hpt-bg.com  
www.hpt-bg.com

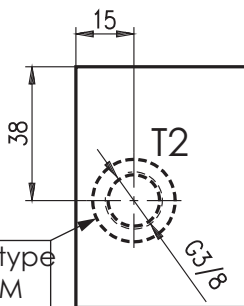
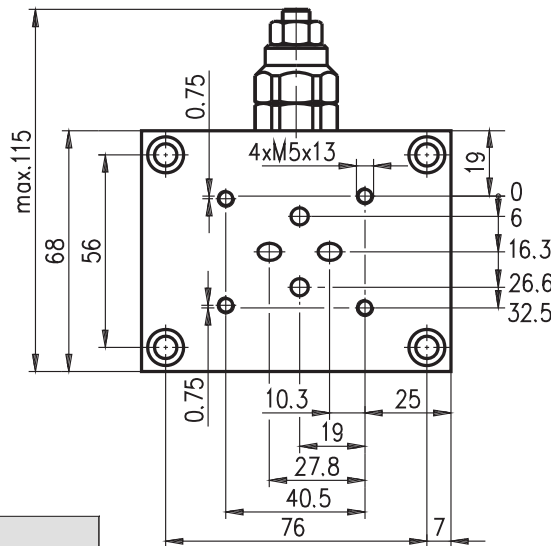
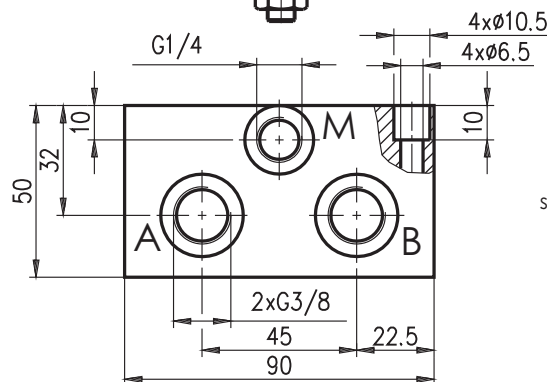
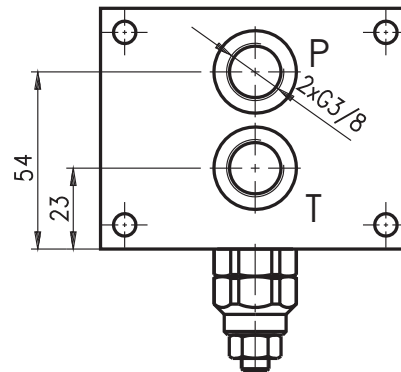
## VALVE BLOCKS

### BPC3/ . . . .

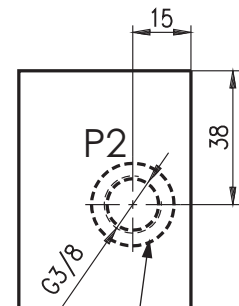
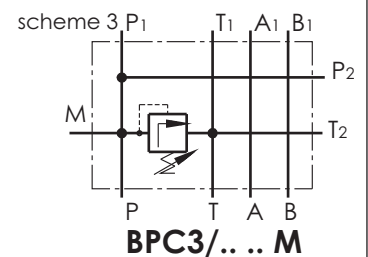
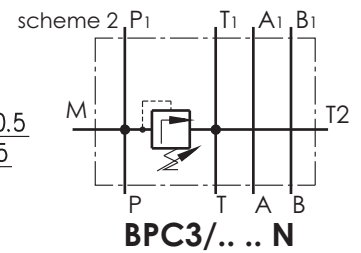
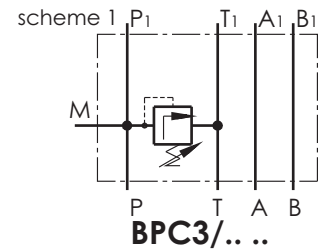


All performances and calibration are carried out by using hydraulic oil with viscosity approx. 46 cSt at 50°C  
Temperature range: -20 °C...+80°C.  
Filtration absolute: 25 µm

Code	Adjustment
<b>A</b>	Leakproof hex. socket screw 
<b>B</b>	Handknob and locknut 
<b>C</b>	Sealing cap 



Only for type  
BPC3/...M  
BPC3/...N



Only for type  
BPC3/...M

Pressure range			
Code	Standard setting bar (Q=5l/min)	Adj. pressure range bar	Colour
10	80	10...100	White
25	180	30...250	Yellow
35	250	70...350	Black

Type	P <sub>max.</sub>	Q <sub>max.</sub>
	bar	L/min
BPC3/... ..	350	20

## ORDERING CODE

**BPC3 / 25 A M**

