



**Hidro
Pnevmo
Tehnika**


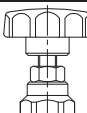
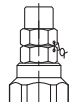
3, Vojeli St., Kazanlak, Bulgaria
Tel.: +359 431/ 62 228, 68 440
e-mail : info@hpt-bg.com
www.hpt-bg.com

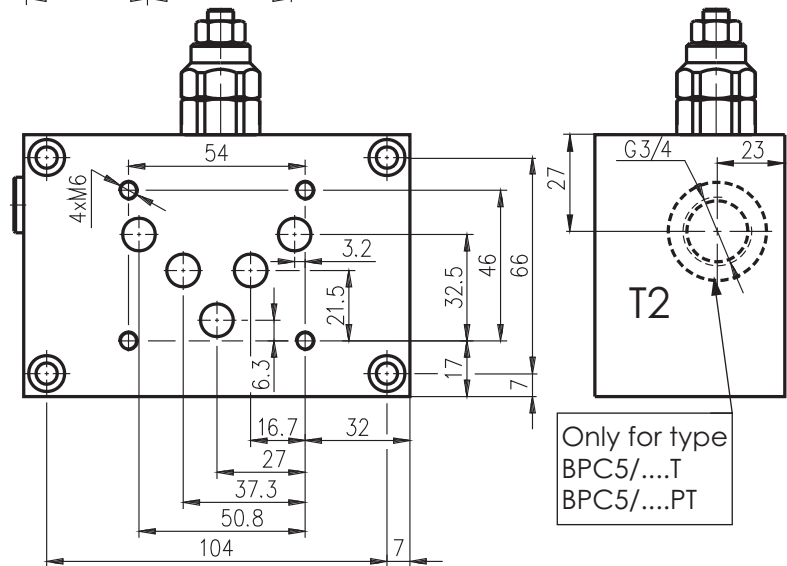
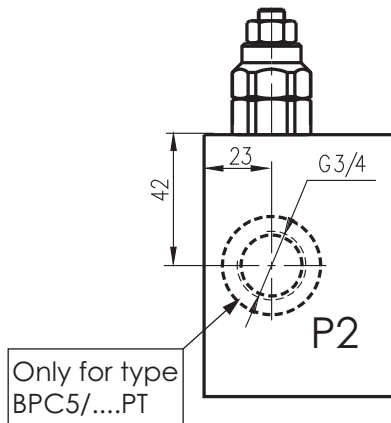
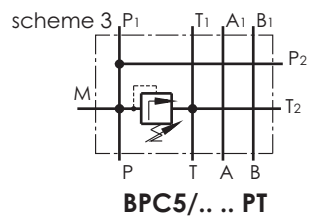
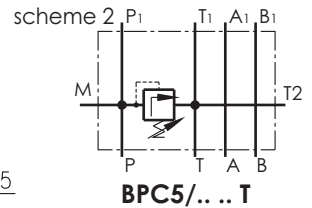
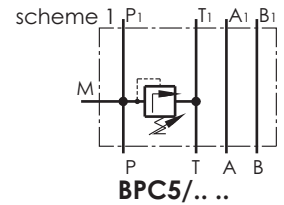
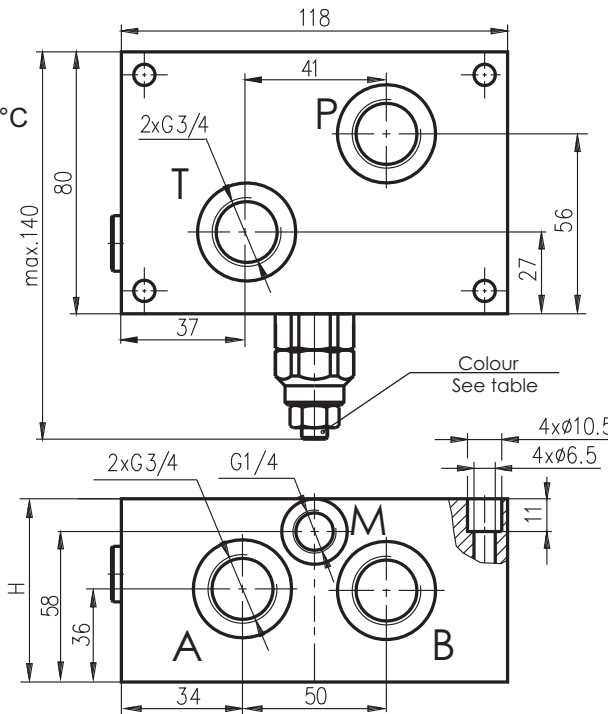
VALVE BLOCKS

BPC5/ ...



All performances and calibration are carried out by using hydraulic oil with viscosity approx. 46 cSt at 50 °C
Temperature range: -20 °C...+80 °C.
Filtration absolute: 20 µm

Code	Adjustment
A	Leakproof hex. socket screw 
B	Handknob and locknut 
C	Sealing cap 



Pressure range			
Code	Standard setting bar (Q=5l/min)	Adj. pressure range bar	Colour
10	80	10...100	White
25	180	30...250	Yellow
35	250	70...350	Black

Type	P _{max.} bar	Q _{max.} L/min	H mm
BPC5/.. ..	350	40	58
BPC5/.. .. T	350	40	58
BPC5/.. .. PT	350	40	68

ORDERING CODE

BPC5 / 25 A T

