
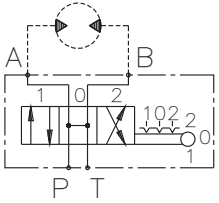
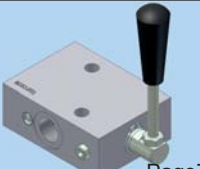
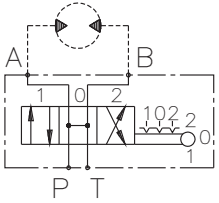
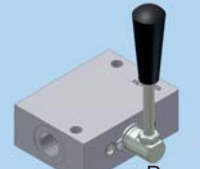
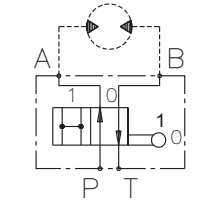

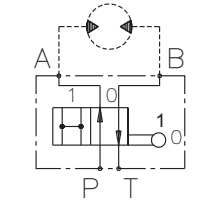

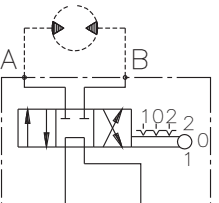

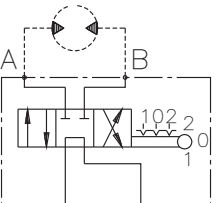

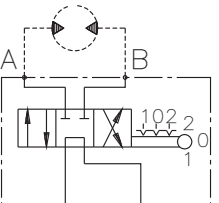

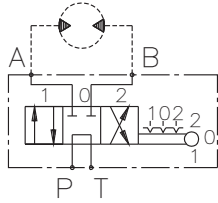
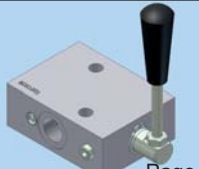
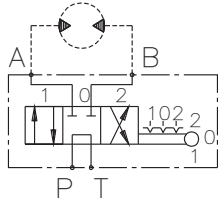

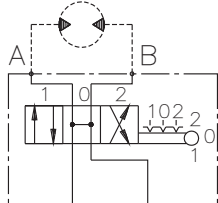

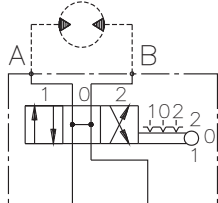

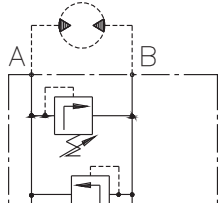

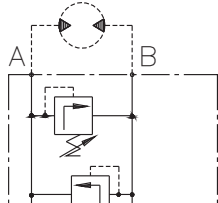

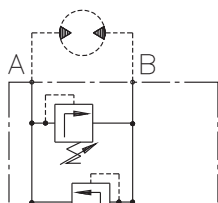

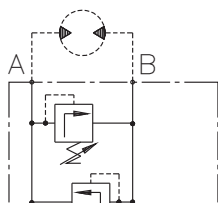




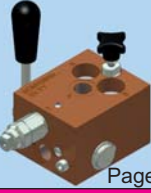
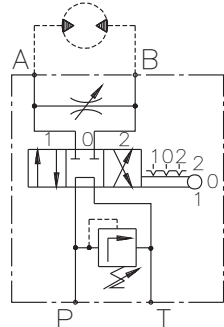

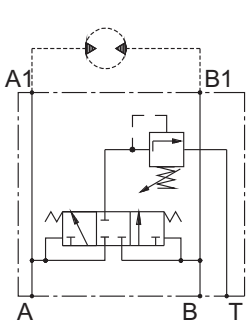

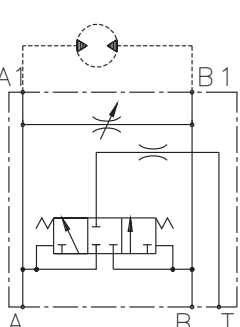

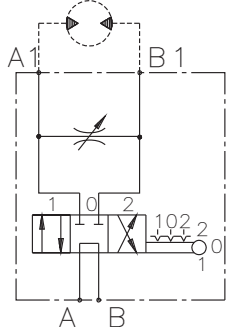
HYDRAULIC MOTOR BLOCKS TYPE BD

<p>BDR 1201</p>  <p>Page 7.1</p>	<p>Scheme 01</p> 
<p>BDS 1201</p>  <p>Page 7.2</p>	
<p>BDR 1203</p>  <p>Page 7.5</p>	<p>Scheme 03</p> 
<p>BDS 1203</p>  <p>Page 7.6</p>	
<p>BDR 1205</p>  <p>Page 7.9</p>	<p>Scheme 05</p> 
<p>BDS 1205</p>  <p>Page 7.10</p>	
<p>BDT 3405</p>  <p>Page 7.11</p>	

<p>BDR 1202</p>  <p>Page 7.3</p>	<p>Scheme 02</p> 
<p>BDS 1202</p>  <p>Page 7.4</p>	
<p>BDR 1204</p>  <p>Page 7.7</p>	<p>Scheme 04</p> 
<p>BDS 1204</p>  <p>Page 7.8</p>	
<p>BDR 1206</p>  <p>Page 7.12</p>	<p>Scheme 06</p> 
<p>BDS 3806</p>  <p>Page 7.13</p>	
<p>BDR 1207</p>  <p>Page 7.14</p>	
<p>BDS 3807</p>  <p>Page 7.15</p>	



HYDRAULIC MOTOR BLOCKS TYPE BD

BDMH 3809  Page 7.16	Scheme 09 	BDS 1212  Page 7.17	Scheme 12 
BDS 1212A  Page 7.18	Scheme 12A 	BDMH 3813 L  Page 7.19	Scheme 13 



The blocks of this group are applied to control manually the direction of the rotation of the hydraulic motors, to which they are assembled. In the page below the different patterns of distribution are displayed. Options are possible with built-in safety valves to limit the pressure in the corresponding direction, according to the pattern. The control is realized by a 90° rotation of a handle to the left or right side of its initial (straight) position.

Block are installed directly on motor with bolts M8-8.8 for EPM or EPRM motors and M10-8.8 DIN912 for EPMS or EPMT motors. Tightening torque: M8 - 20 N.m ; M10 - 45 N.m
Working fluid - Hydraulic oil . Filtration - level of 25 μm . Temperature range from -20 to +80°C



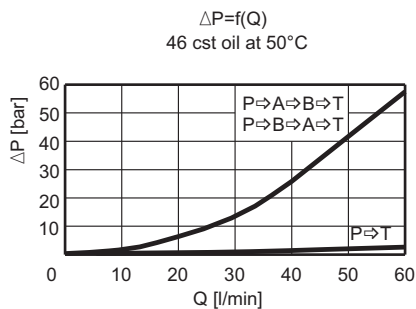
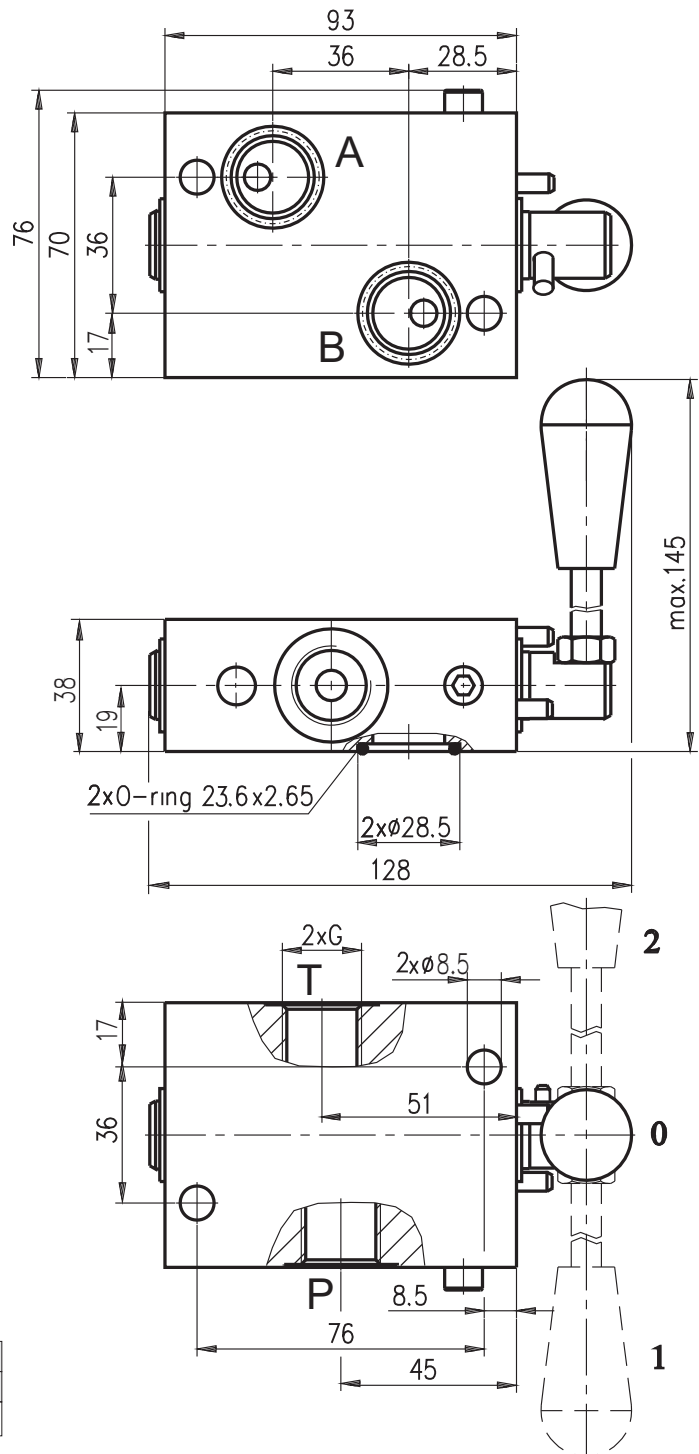
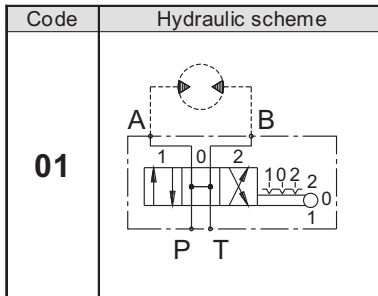
**Hidro
Pnevmo
Tehnika**

3, Vojeli St., Kazanlak, Bulgaria
Tel.: +359 431/ 62 228, 68 440
e-mail : info@hpt-bg.com
www.hpt-bg.com

HYDRAULIC MOTOR BLOCKS TYPE BD

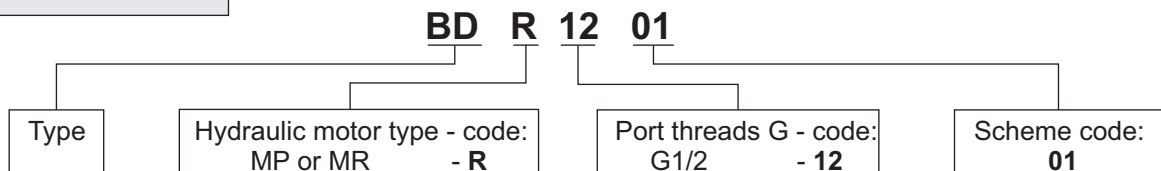


BDR 1201



Type	Nom. flow rate	P _{nom.} bar	Port threads G
	L/min		
BDR 1201	60	210	G1/2 - DIN 3852

ORDERING CODE



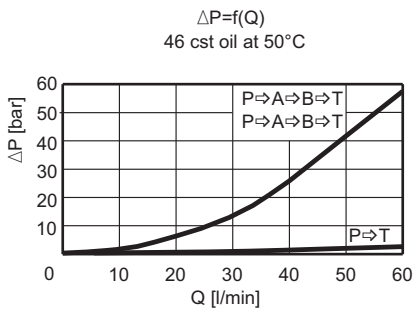
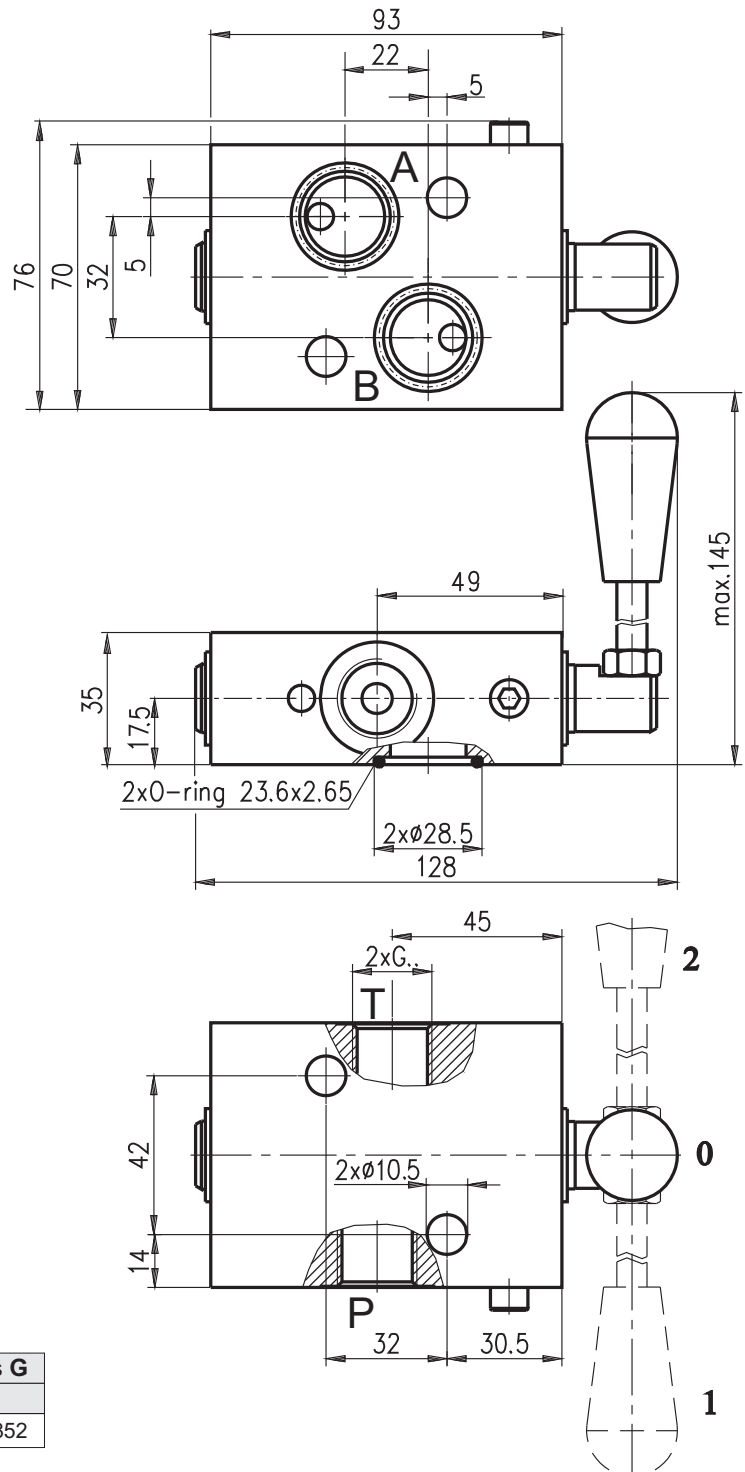
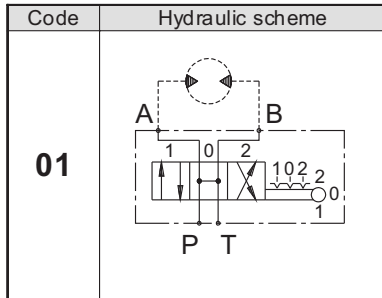


**Hidro
Pnevmo
Tehnika**

3, Vojeli St., Kazanlak, Bulgaria
Tel.: +359 431/ 62 228, 68 440
e-mail: info@hpt-bg.com
www.hpt-bg.com

HYDRAULIC MOTOR BLOCKS TYPE BD

BDS 1201



Type	Nom. flow rate L/min	Pnom. bar	Port threads G
BDS 1201	60	210	G1/2 - DIN 3852

ORDERING CODE

BD S 12 01



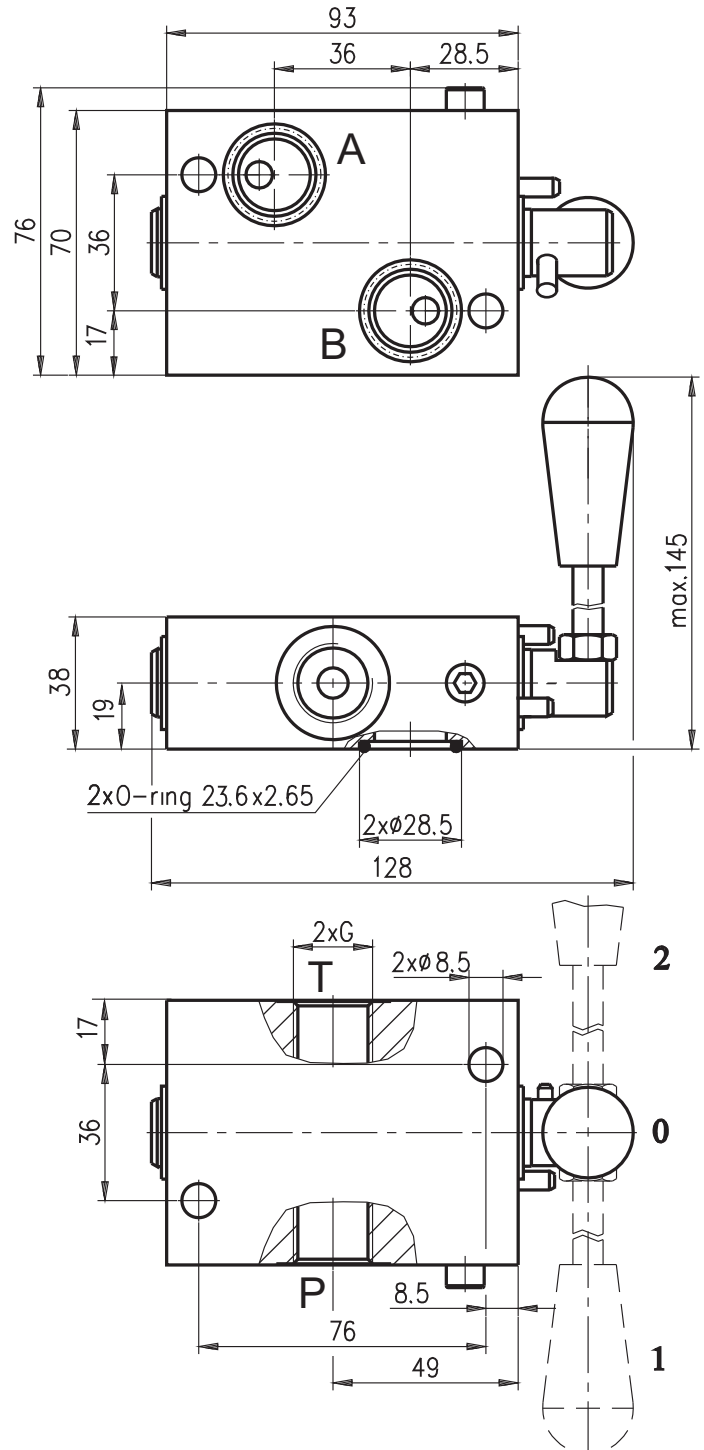
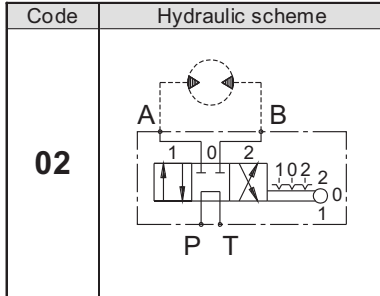
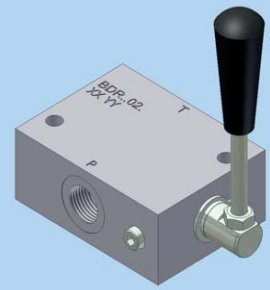


**Hidro
Pnevmo
Tehnika**

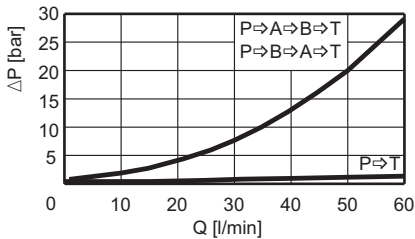
3, Vojeli St., Kazanlak, Bulgaria
Tel.: +359 431/ 62 228, 68 440
e-mail: info@hpt-bg.com
www.hpt-bg.com

HYDRAULIC MOTOR BLOCKS TYPE BD

BDR 1202 .



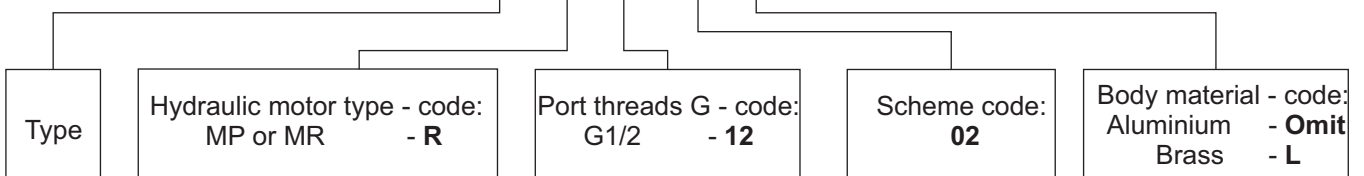
$\Delta P=f(Q)$
46 cst oil at 50°C



Type	Nom. flow rate	P _{nom.}	Port threads G
	L/min		
BDR 1202 .	60	210	G1/2 - DIN 3852

ORDERING CODE

BD R 12 02 L



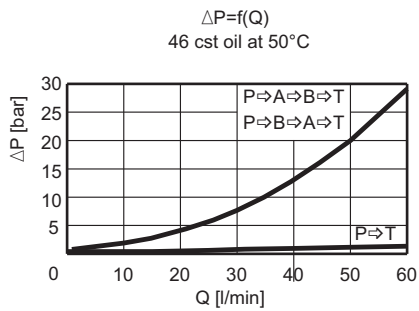
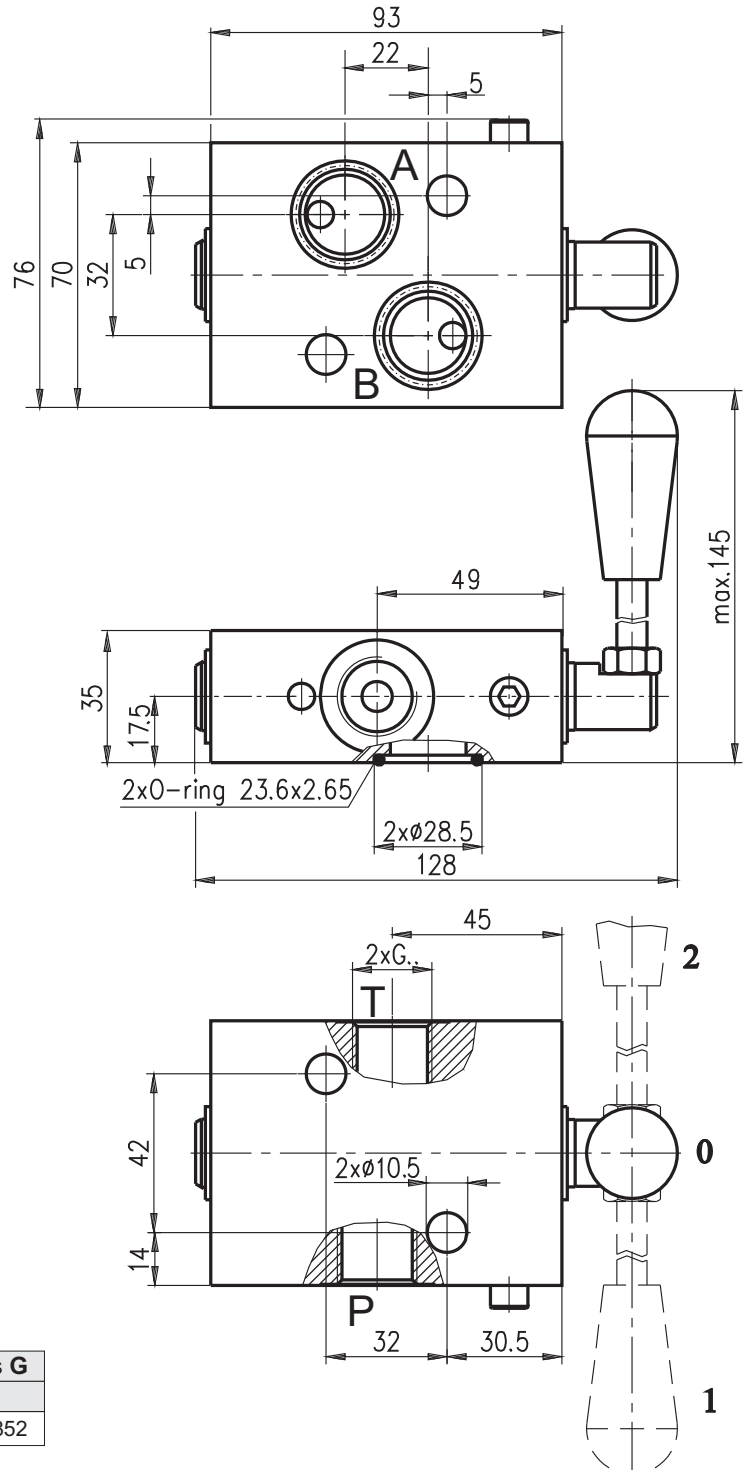
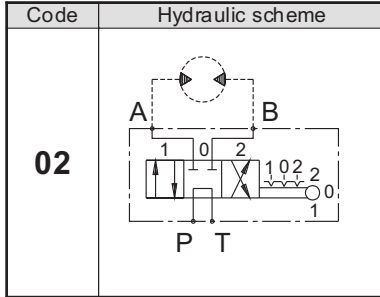


**Hidro
Pnevmo
Tehnika**

3, Vojeli St., Kazanlak, Bulgaria
Tel.: +359 431/ 62 228, 68 440
e-mail: info@hpt-bg.com
www.hpt-bg.com

HYDRAULIC MOTOR BLOCKS TYPE BD

BDS 1202



Type	Nom. flow rate L/min	P _{nom.} bar	Port threads G
BDS 1202	60	210	G1/2 - DIN 3852

ORDERING CODE

BD S 12 02



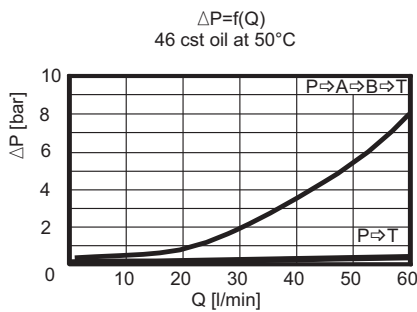
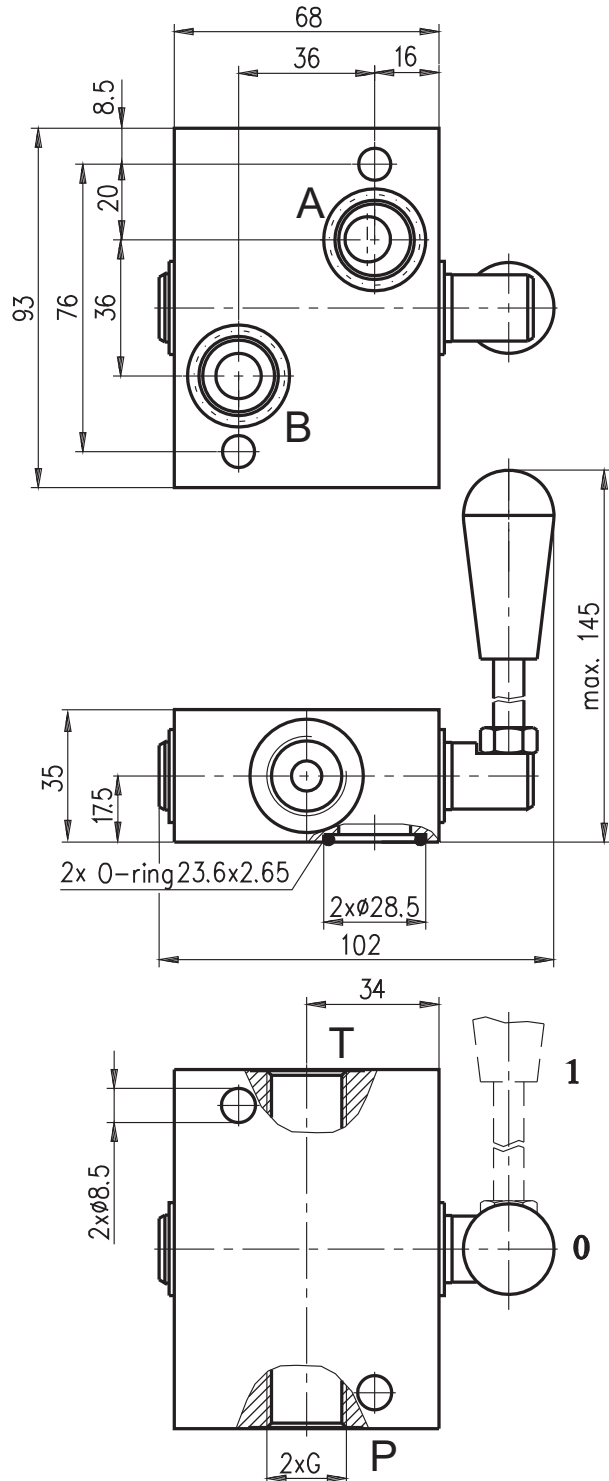
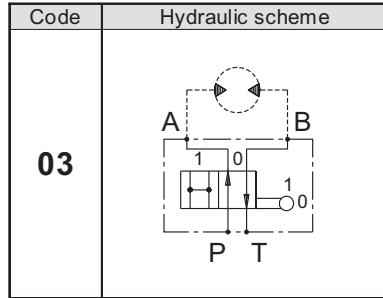
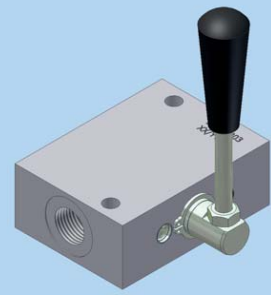


**Hidro
Pnevmo
Tehnika**

3, Vojeli St., Kazanlak, Bulgaria
Tel.: +359 431/ 62 228, 68 440
e-mail: info@hpt-bg.com
www.hpt-bg.com

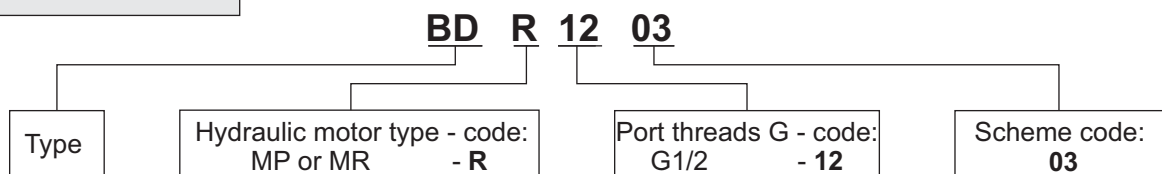
HYDRAULIC MOTOR BLOCKS TYPE BD

BDR 1203



Type	Nom. flow rate	P _{nom.}	Port threads G
	L/min	bar	-
BDR 1203	60	210	G1/2 - DIN 3852

ORDERING CODE

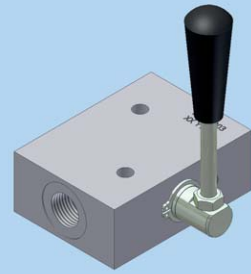




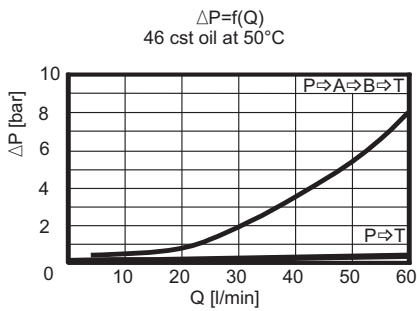
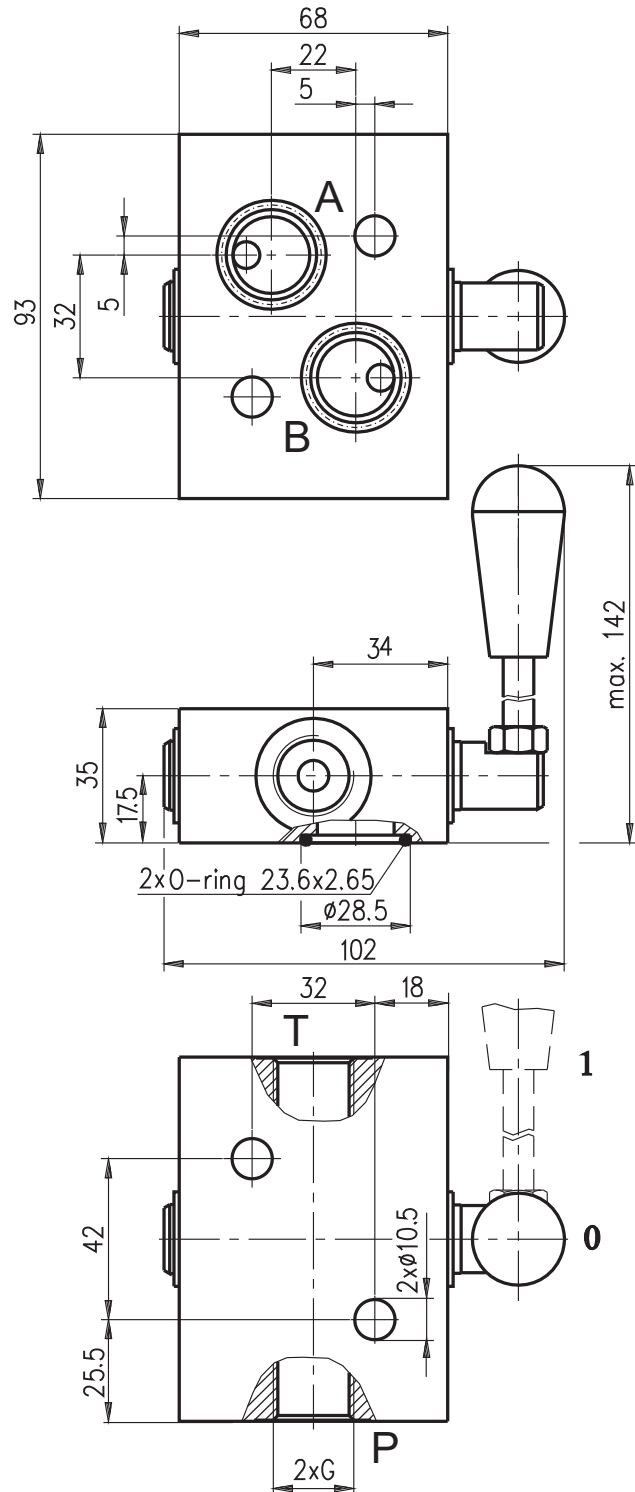
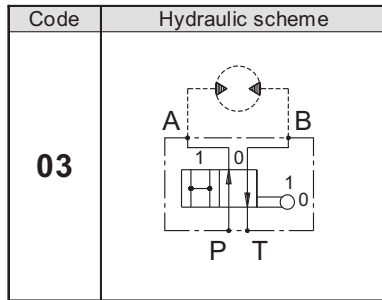
**Hidro
Pnevmo
Tehnika**

3, Vojeli St., Kazanlak, Bulgaria
Tel.: +359 431/ 62 228, 68 440
e-mail: info@hpt-bg.com
www.hpt-bg.com

HYDRAULIC MOTOR BLOCKS TYPE BD



BDS 1203



Type	Nom. flow rate <i>L/min</i>	P _{nom.} <i>bar</i>	Port threads G
BDS 1203	60	210	G1/2 - DIN 3852

ORDERING CODE

BD S 12 03

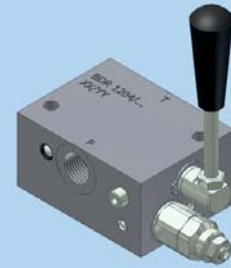




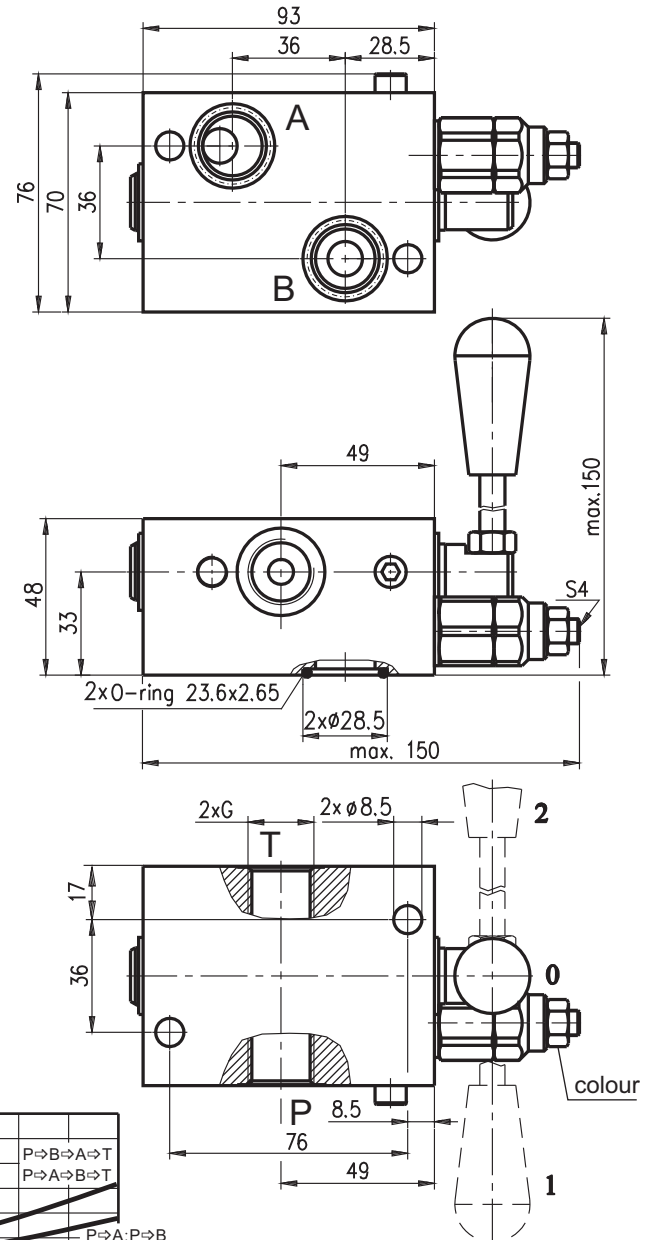
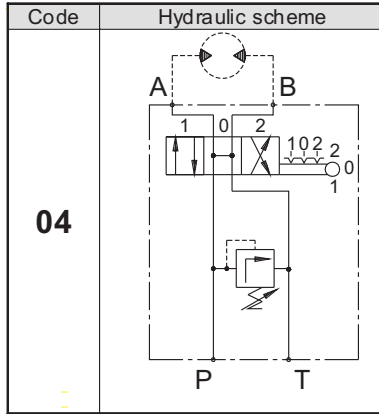
**Hidro
Pnevmo
Tehnika**

3, Vojeli St., Kazanlak, Bulgaria
Tel.: +359 431/ 62 228, 68 440
e-mail: info@hpt-bg.com
www.hpt-bg.com


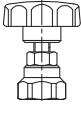

HYDRAULIC MOTOR BLOCKS TYPE BD

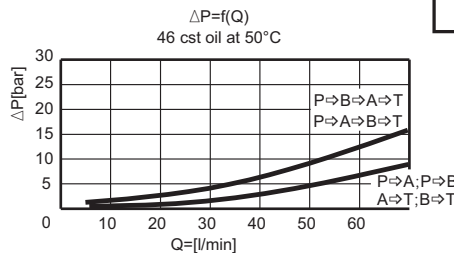


BDR 1204 . / ...



Pressure range			
Code	Standard setting (Q=5l/min)	Adj. pressure range	Colour
	bar	bar	-
10	80	10...100	White
25	180	30...250	Yellow

Code	Adjustment
A	Leakproof hex. socket screw 
B	Handknob and locknut 
C	Sealing cap 



Type	Nom. flow rate	P _{max.}	Port threads G
	L/min	bar	-
BDR 1204 . / ...	60	250	G1/2 - DIN 3852

ORDERING CODE

BD R 12 04 L / 10 A

Type

Hydraulic motor type - code:
MP or MR - **R**

Scheme code:
04

Adjustment code:
A; B; C
(see table above)

Port threads G - code:
G1/2 - **12**

Body material - code:
Aluminium - **Omit**
Brass - **L**

Pressure range code:
10; 25

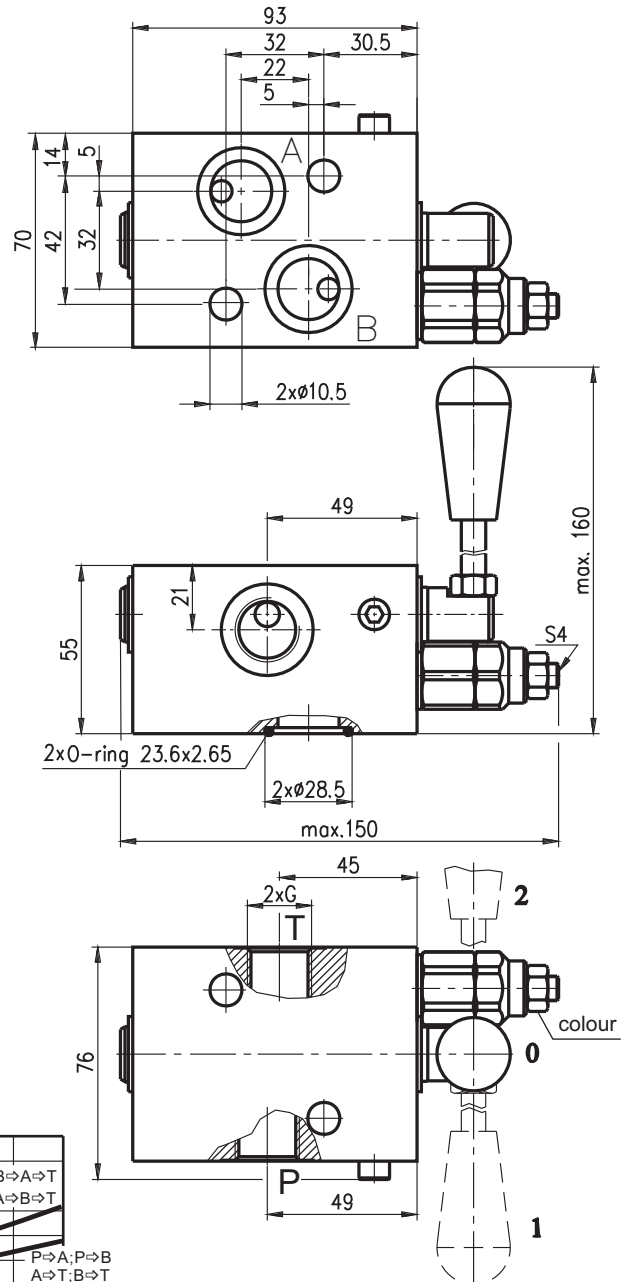
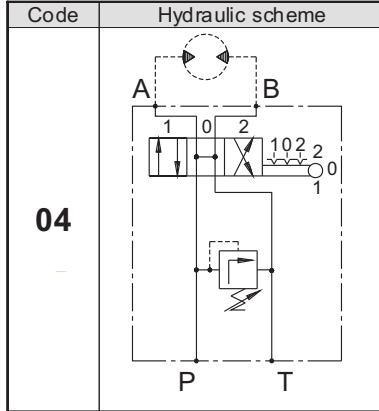


**Hidro
Pnevmo
Tehnika**


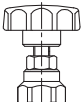
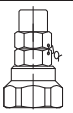
3, Vojeli St., Kazanlak, Bulgaria
Tel.: +359 431/ 62 228, 68 440
e-mail: info@hpt-bg.com
www.hpt-bg.com

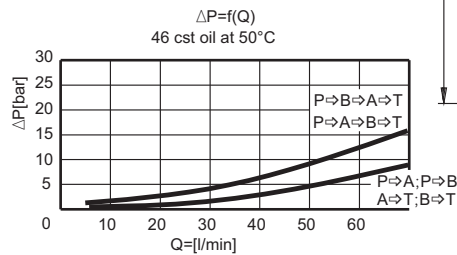
HYDRAULIC MOTOR BLOCKS TYPE BD

BDS 1204 ./... .



Pressure range			
Code	Standard setting (Q=5l/min)	Adj. pressure range	Colour
	bar	bar	-
10	80	10...100	White
25	180	30...250	Yellow

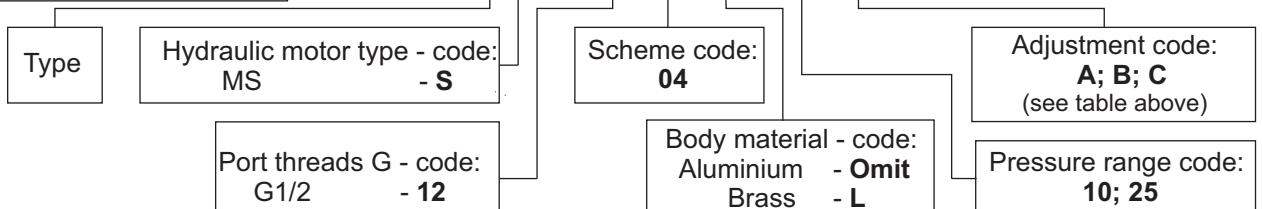
Code	Adjustment
A	Leakproof hex. socket screw 
B	Handknob and locknut 
C	Sealing cap 



Type	Nom. flow rate L/min	P _{max.} bar	Port threads G
BDS 1204 ./... .	60	250	G1/2 - DIN 3852

ORDERING CODE

BD S 12 04 L / 10 A



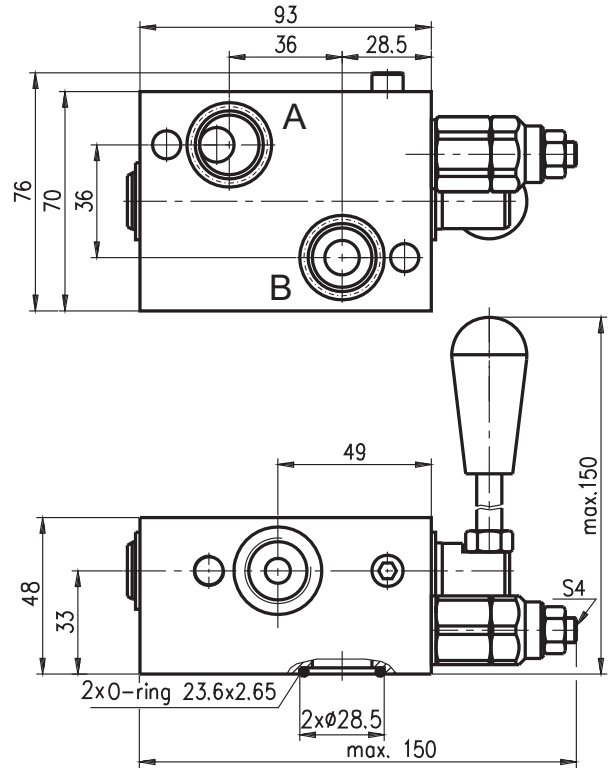
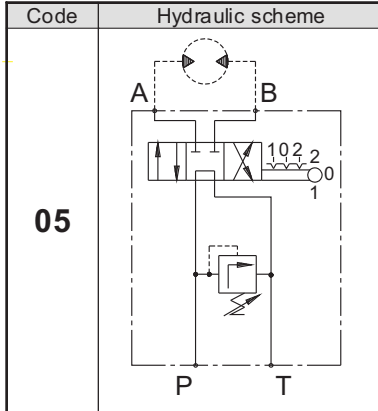
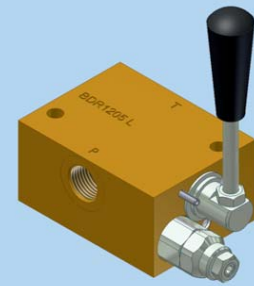


**Hidro
Pnevmo
Tehnika**

3, Vojeli St., Kazanlak, Bulgaria
Tel.: +359 431/ 62 228, 68 440
e-mail: info@hpt-bg.com
www.hpt-bg.com

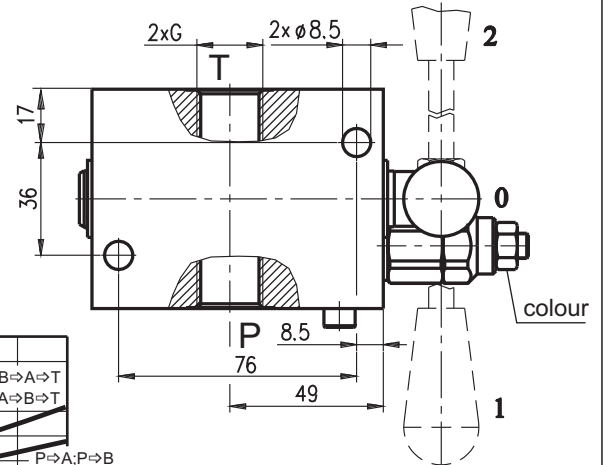
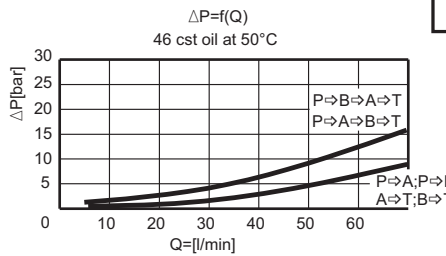
HYDRAULIC MOTOR BLOCKS TYPE BD

BDR 1205 . / . . .



Pressure range			
Code	Standard setting (Q=5l/min)	Adj. pressure range	Colour
	bar	bar	-
10	80	10...100	White
25	180	30...250	Yellow

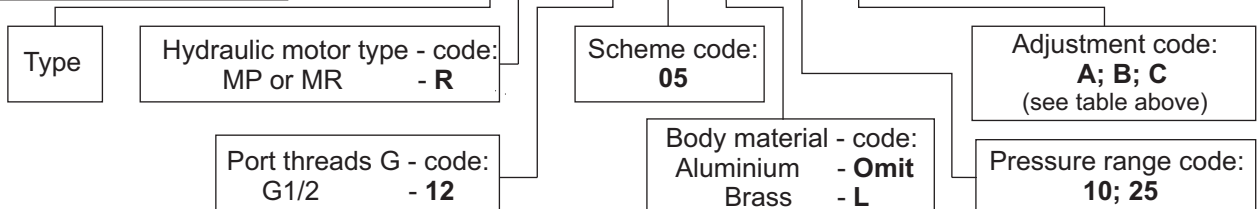
Code	Adjustment
A	Leakproof hex. socket screw
B	Handknob and locknut
C	Sealing cap



Type	Nom. flow rate	P _{max.}	Port threads G
	L/min	bar	-
BDR 1205 . / . . .	70	250	G1/2 - DIN 3852

ORDERING CODE

BD R 12 05 L / 10 A



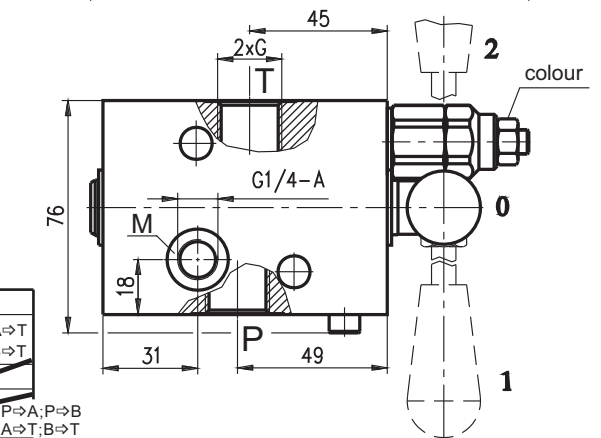
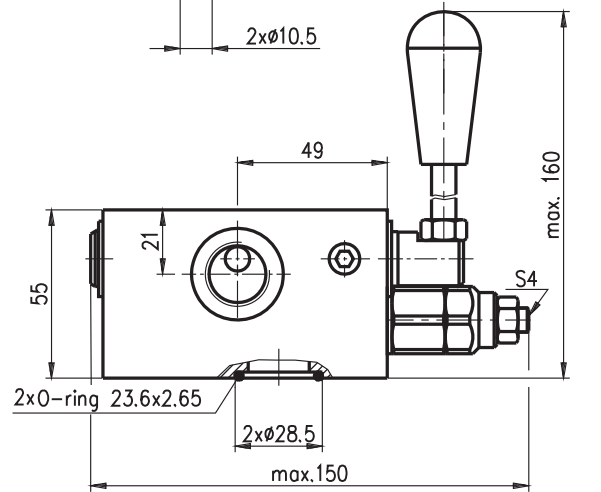
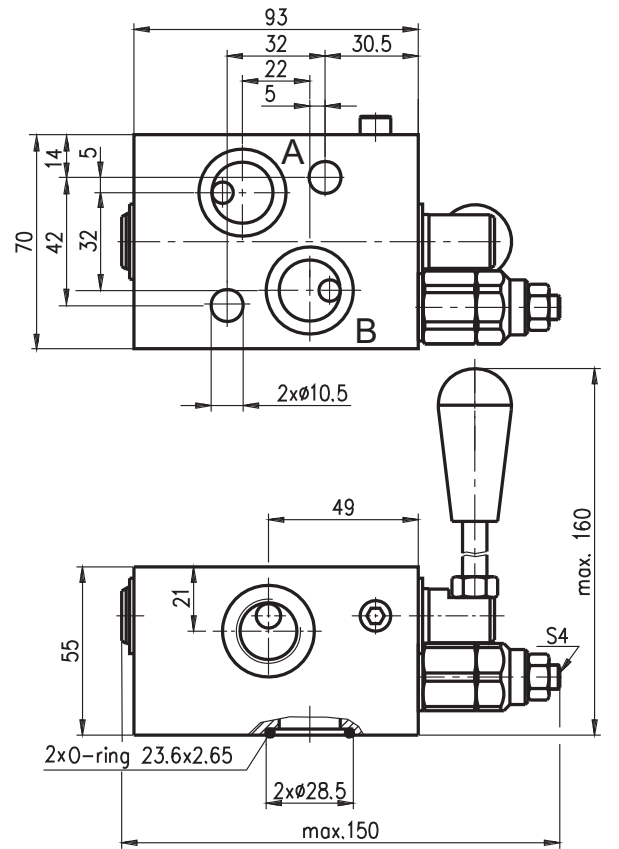
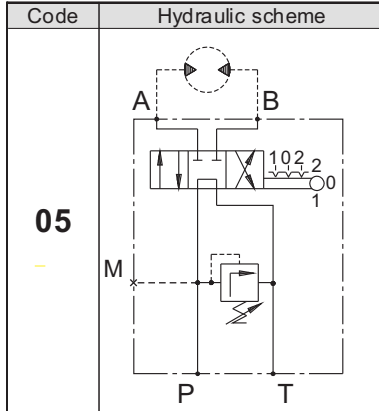
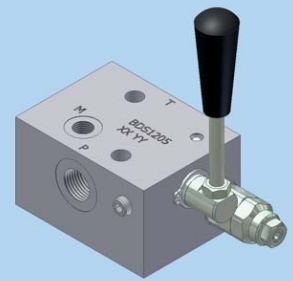


**Hidro
Pnevmo
Tehnika**

3, Vojeli St., Kazanlak, Bulgaria
Tel.: +359 431/ 62 228, 68 440
e-mail: info@hpt-bg.com
www.hpt-bg.com

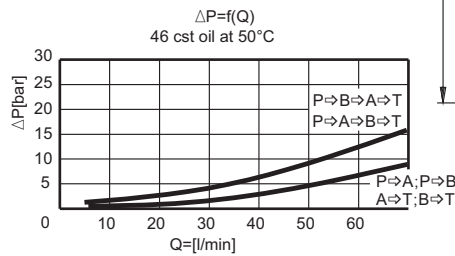
HYDRAULIC MOTOR BLOCKS TYPE BD

BDS 1205 ./. . .



Pressure range			
Code	Standard setting (Q=5l/min)	Adj. pressure range	Colour
	bar	bar	
10	80	10...100	White
25	180	30...250	Yellow

Code	Adjustment
A	Leakproof hex. socket screw
B	Handknob and locknut
C	Sealing cap



Type	Nom. flow rate L/min	P _{max.} bar	Port threads G
BDS 38... / . . .	25	250	G3/8 - DIN 3852
BDS 12... / . . .	60	250	G1/2 - DIN 3852

ORDERING CODE

BD S 12 05 L / 10 A

Type

Hydraulic motor type - code:
MS

Port threads G - code:
G3/8 - 38
G1/2 - 12

Scheme code:
04; 05

Body material - code:
Aluminium - Omit
Brass - L

Adjustment code:
A; B; C
(see table above)

Pressure range code:
10; 25

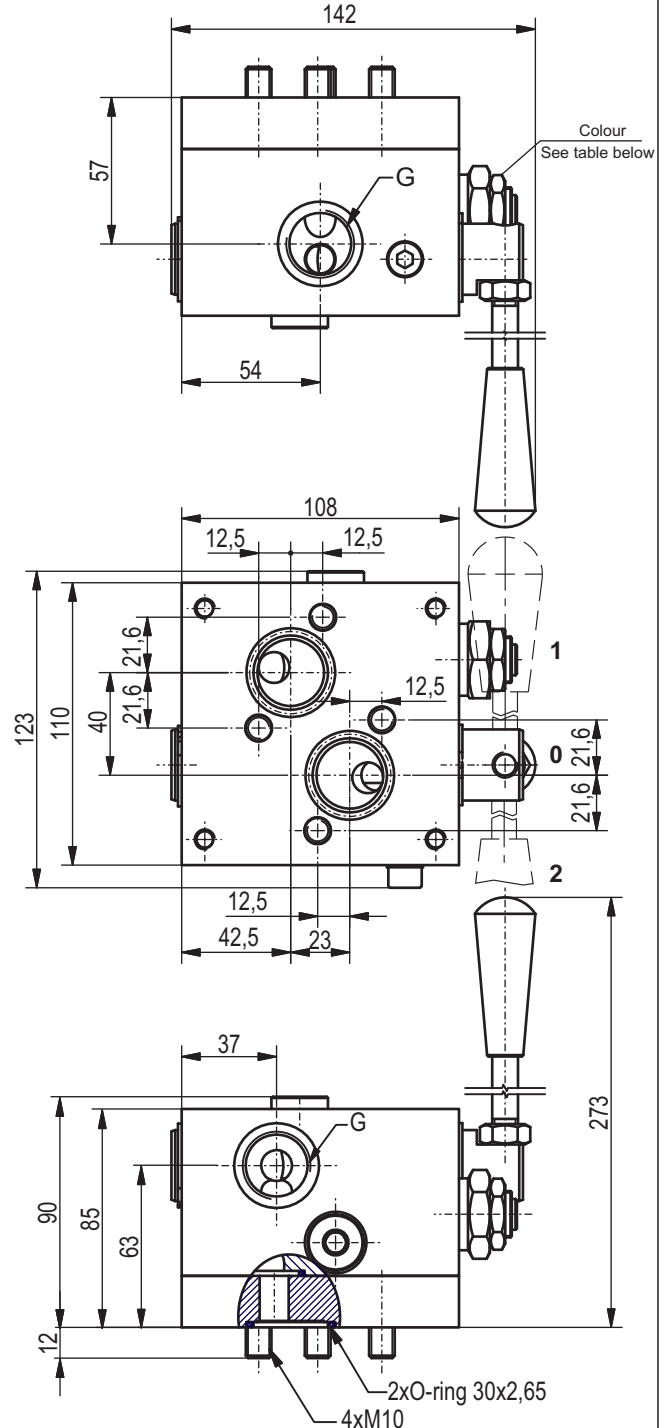
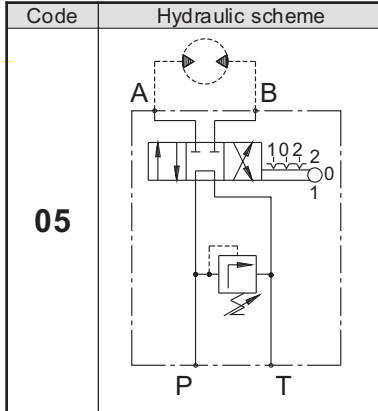
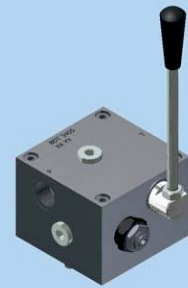


**Hidro
Pnevmo
Tehnika**

3, Vojeli St., Kazanlak, Bulgaria
Tel.: +359 431/ 62 228, 68 440
e-mail: info@hpt-bg.com
www.hpt-bg.com

HYDRAULIC MOTOR BLOCKS TYPE BD

BDT 3405 /..

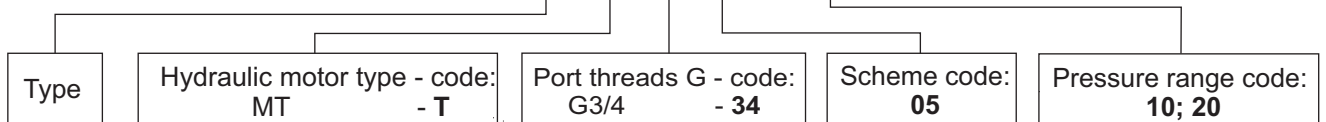


Type	Nom. flow rate	P _{max.}	Port threads G
	L/min	bar	-
BDT 3405 . /..	100	200	G3/4 - DIN 3852

Pressure range			
Code	Standard setting (Q=5l/min)	Adj. pressure range	Colour
	bar	bar	
10	80	5...100	White
20	160	15...200	Yellow

ORDERING CODE

BD T 34 05 / 10



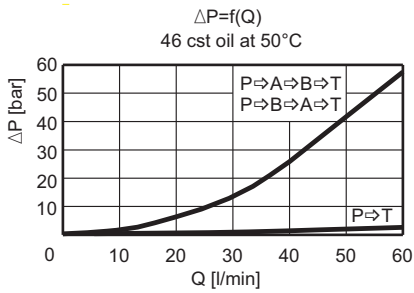
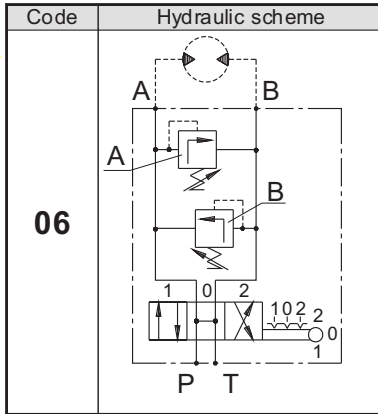


**Hidro
Pnevmo
Tehnika**

3, Vojeli St., Kazanlak, Bulgaria
Tel.: +359 431/ 62 228, 68 440
e-mail: info@hpt-bg.com
www.hpt-bg.com

HYDRAULIC MOTOR BLOCKS TYPE BD

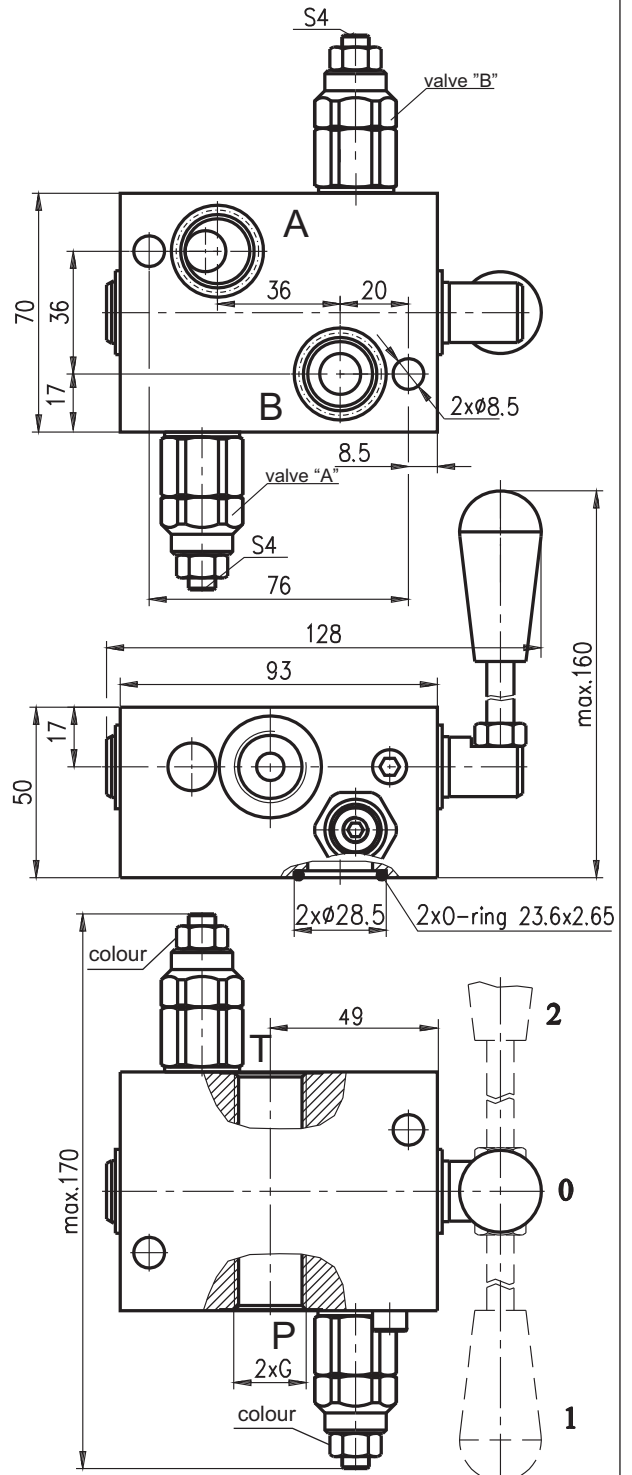
BDR 1206/... - ...



Code	Adjustment
A	Leakproof hex. socket screw
C	Sealing cap

Type	Nom. flow rate	P _{max.}	Port threads G
	L/min	bar	-
BDR 1206 /... -... -	60	250	G12 - DIN 3852

Pressure range			
Code	Standard setting (Q=5l/min)	Adj. pressure range	Colour
	bar	bar	-
10	80	10...100	White
25	180	30...250	Yellow



ORDERING CODE

BD R 12 06 / A10 A - B25 A

Type

Hydraulic motor type - code:
MP or MR - **R**

Port threads G - code:
G1/2 - **12**

Scheme code:
06

Adjustment code:
A; C
(see table above)

Pressure range
valve "A" - code:
10; 25

Adjustment code:
A; C
(see table above)

Pressure range
valve "B" - code:
10; 25

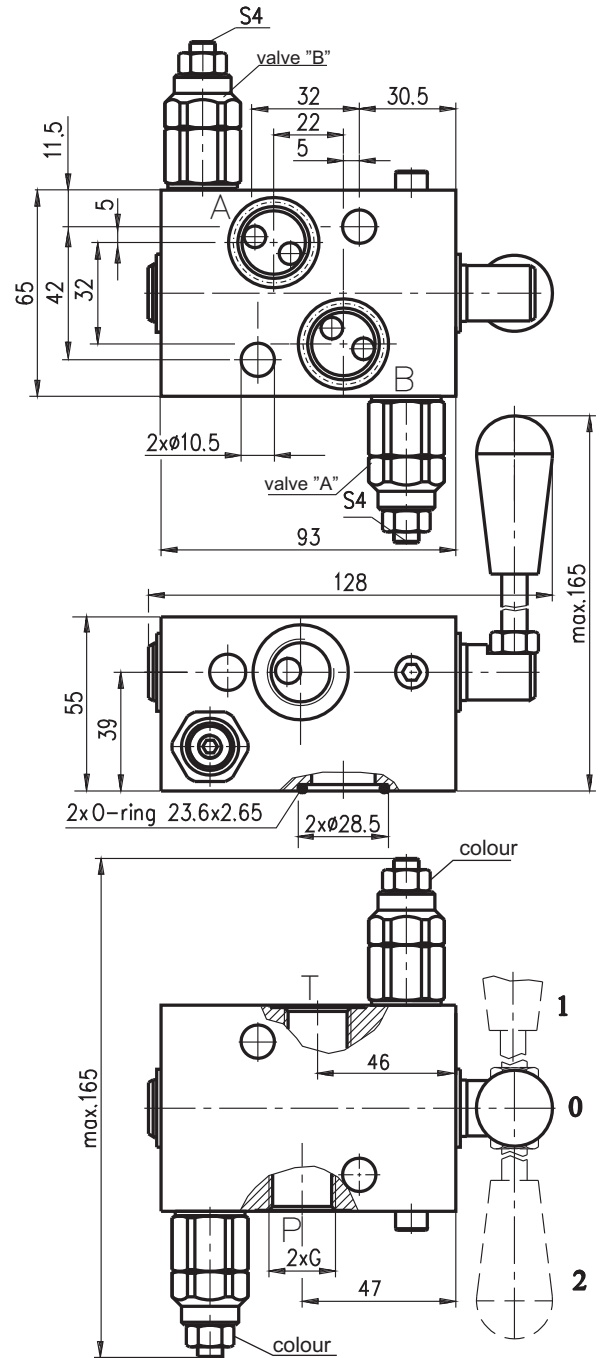
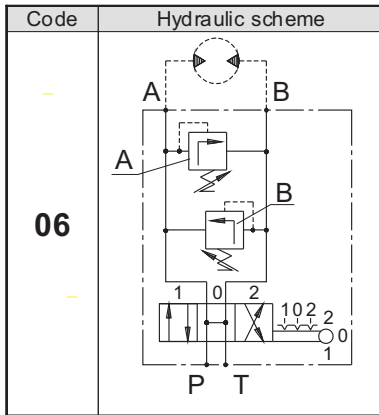
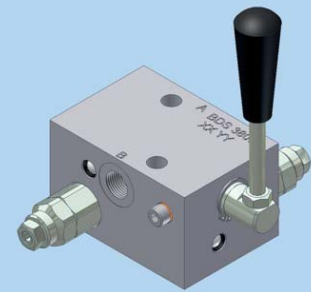


**Hidro
Pnevmo
Tehnika**

3, Vojeli St., Kazanlak, Bulgaria
Tel.: +359 431/ 62 228, 68 440
e-mail: info@hpt-bg.com
www.hpt-bg.com

HYDRAULIC MOTOR BLOCKS TYPE BD

BDS 3806/... - ...



Code	Adjustment
A	Leakproof hex. socket screw
C	Sealing cap

Type	Nom. flow rate	P _{max.}	Port threads G
	L/min	bar	-
BDS 3806 /... -...	25	250	G3/8 - DIN 3852

Pressure range			
Code	Standard setting (Q=5l/min)	Adj. pressure range	Colour
	bar	bar	-
10	80	10...100	White
25	180	30...250	Yellow

ORDERING CODE

BD S 38 06 / A10 A - B25 A

Type

Hydraulic motor type - code:
MS

Port threads G - code:
G3/8 - 38

Scheme code:
06

Adjustment code:
A; C
(see table above)

Pressure range
valve "A"-code:
10; 25

Adjustment code:
A; C
(see table above)

Pressure range
valve "B"-code:
10; 25

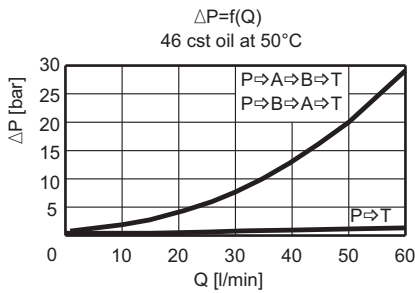
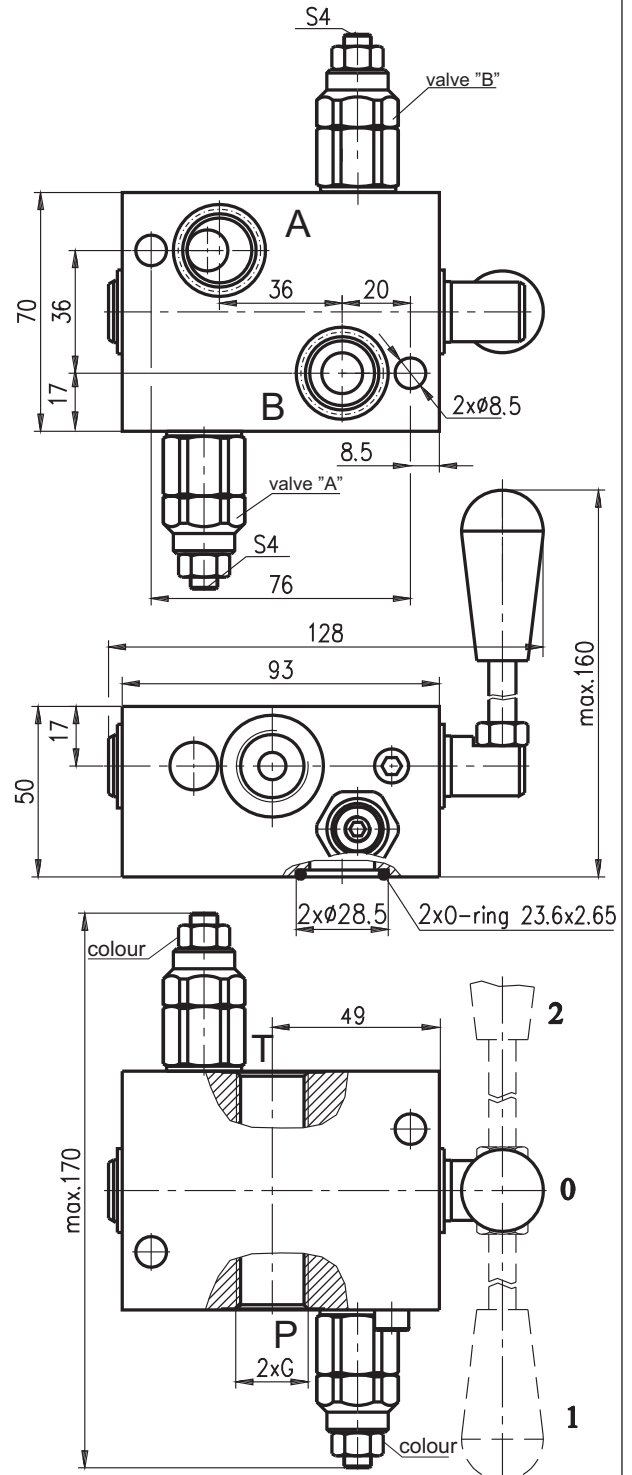
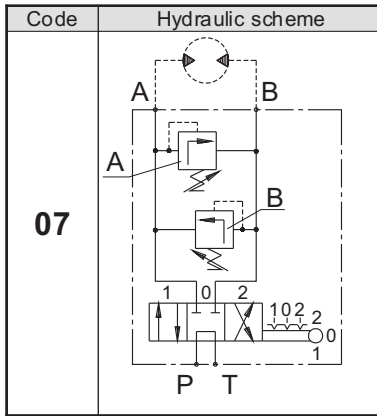
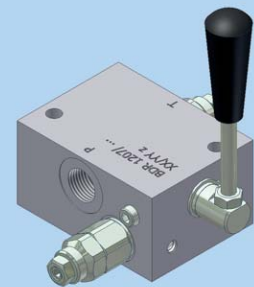


**Hidro
Pnevmo
Tehnika**

3, Vojeli St., Kazanlak, Bulgaria
Tel.: +359 431/ 62 228, 68 440
e-mail: info@hpt-bg.com
www.hpt-bg.com

HYDRAULIC MOTOR BLOCKS TYPE BD

BDR 1207/... ..



Code	Adjustment
A	Leakproof hex. socket screw
C	Sealing cap

Type	Nom. flow rate	$P_{max.}$	Port threads G
	L/min	bar	-
BDR 1207 /... ..	60	250	G12 - DIN 3852

Pressure range			
Code	Standard setting (Q=5l/min)	Adj. pressure range	Colour
	bar	bar	-
10	80	10...100	White
25	180	30...250	Yellow

ORDERING CODE

BD R 12 07 / A10 A - B25 A

Type

Hydraulic motor type - code:
MP or MR - **R**

Port threads G - code:
G1/2 - **12**

Code scheme:
07

Adjustment code:
A; C
(see table above)

Pressure range
valve "A"-code:
10; 25

Adjustment code:
A; C
(see table above)

Pressure range
valve "B"-code:
10; 25

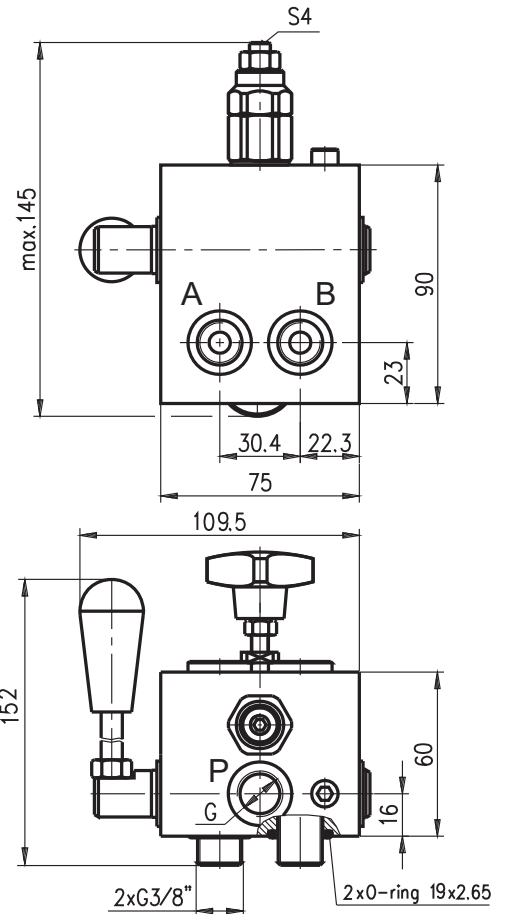
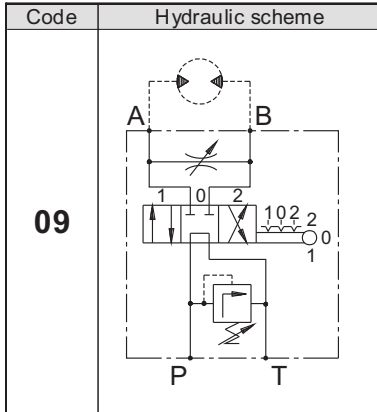
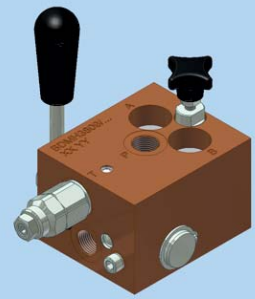


**Hidro
Pnevmo
Tehnika**

3, Vojeli St., Kazanlak, Bulgaria
Tel.: +359 431/ 62 228, 68 440
e-mail: info@hpt-bg.com
www.hpt-bg.com

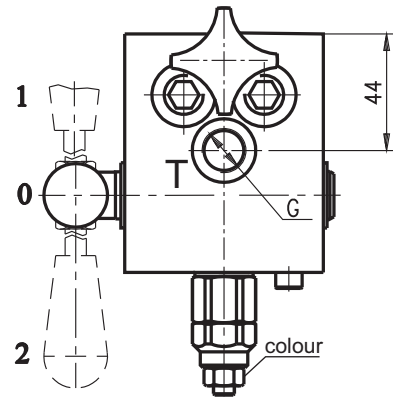
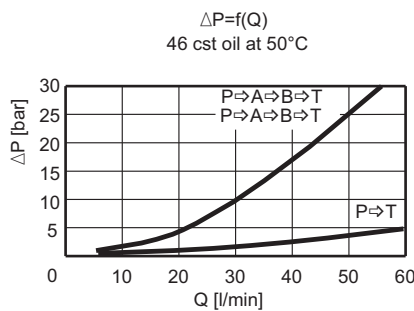
HYDRAULIC MOTOR BLOCKS TYPE BD

BDMH 3809



Pressure range			
Code	Standard setting (Q=5l/min)	Adj. pressure range	Colour
	bar	bar	
10	80	10...100	White
25	180	30...250	Yellow

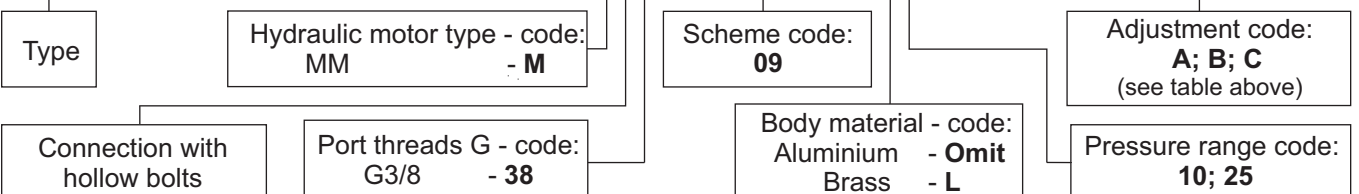
Code	Adjustment
A	Leakproof hex. socket screw
B	Handknob and locknut
C	Sealing cap



Type	Nom. flow rate	P _{max.}	Port threads G
	L/min	bar	-
BDMH 3809 . / . .	30	250	G3/8 - DIN 3852

ORDERING CODE

BD M H 38 09 L / 10 A

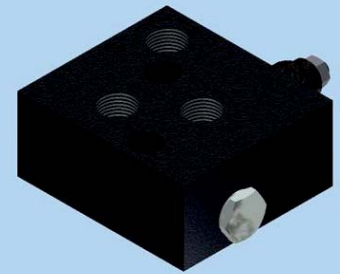




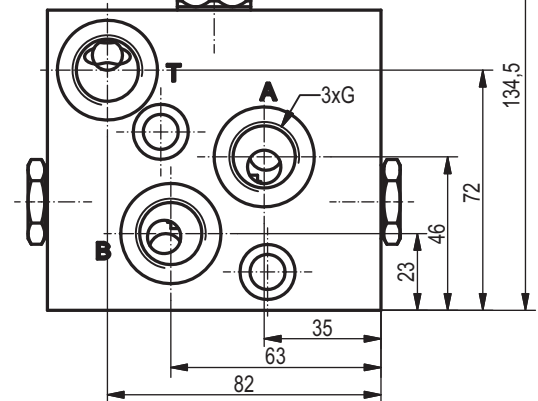
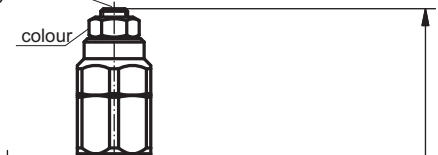
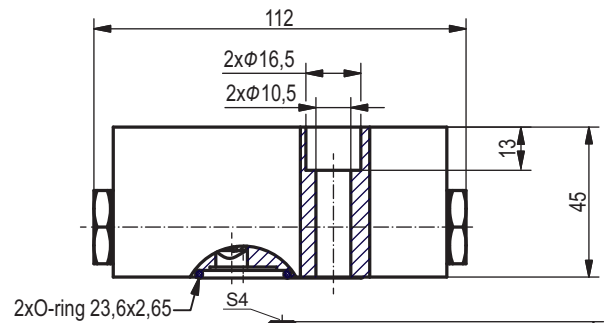
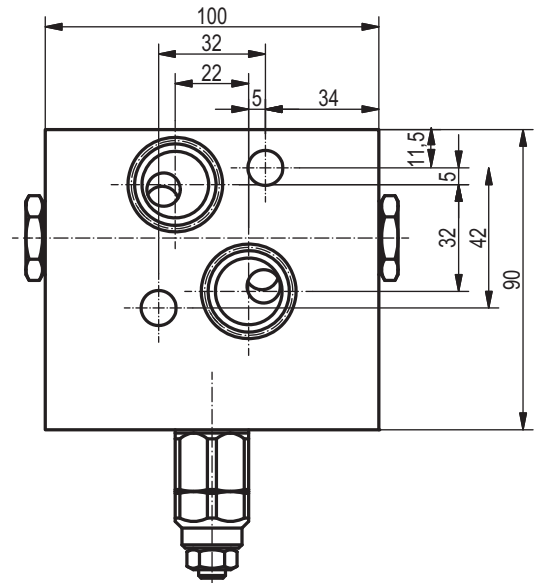
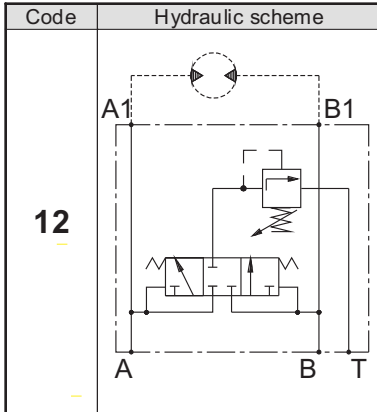
**Hidro
Pnevmo
Tehnika**

3, Vojeli St., Kazanlak, Bulgaria
Tel.: +359 431/ 62 228, 68 440
e-mail: info@hpt-bg.com
www.hpt-bg.com

HYDRAULIC MOTOR BLOCKS TYPE BD



BDS 1212



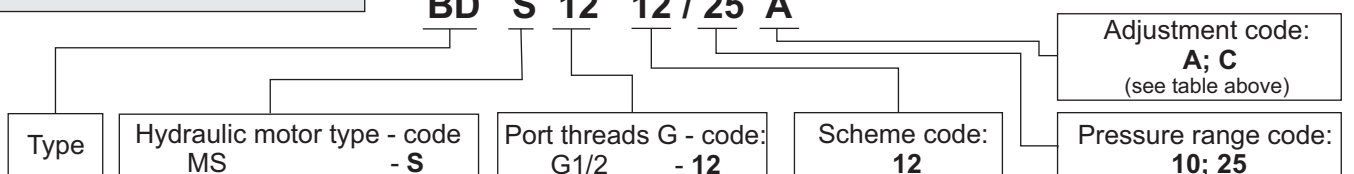
Code	Adjustment
A	Leakproof hex. socket screw
C	Sealing cap

Type	Nom. flow rate	P _{nom.}	Port threads G
	L/min	bar	-
BDS 1212	40	210	G1/2 - DIN 3852

Pressure range			
Code	Standard setting (Q=5l/min)	Adj. pressure range	Colour
	bar	bar	-
10	80	10...100	White
25	180	30...250	Yellow

ORDERING CODE

BD S 12 12 / 25 A

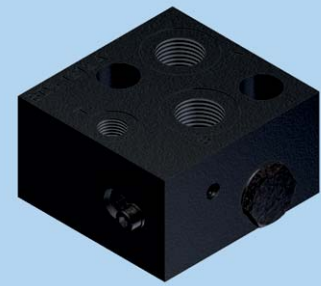




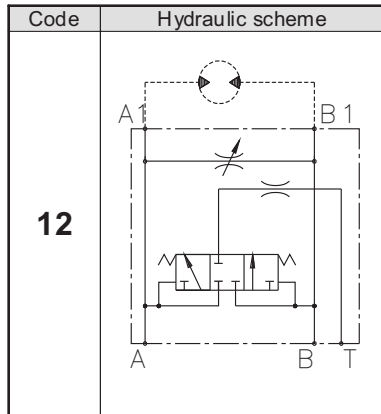
**Hidro
Pnevmo
Tehnika**

3, Vojeli St., Kazanlak, Bulgaria
Tel.: +359 431/ 62 228, 68 440
e-mail: info@hpt-bg.com
www.hpt-bg.com

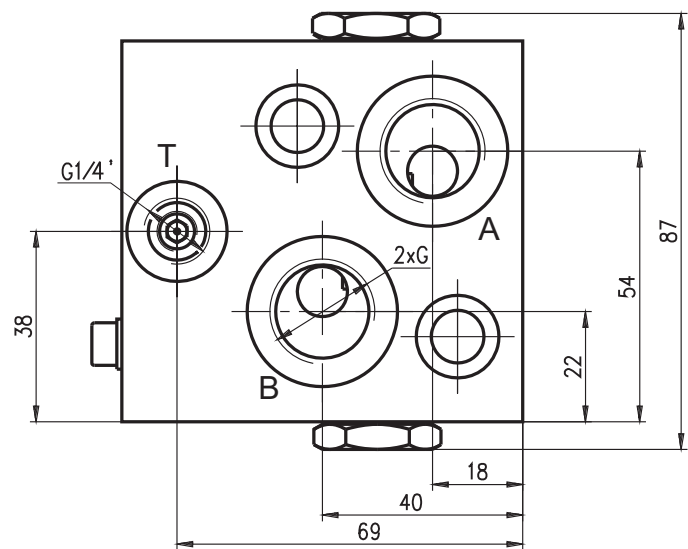
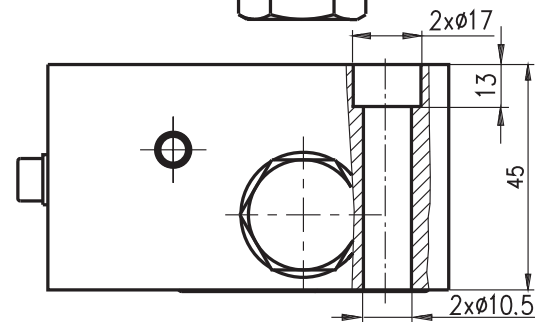
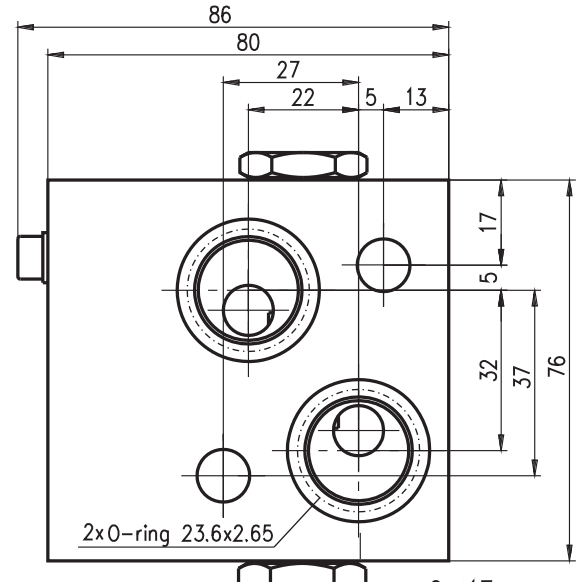
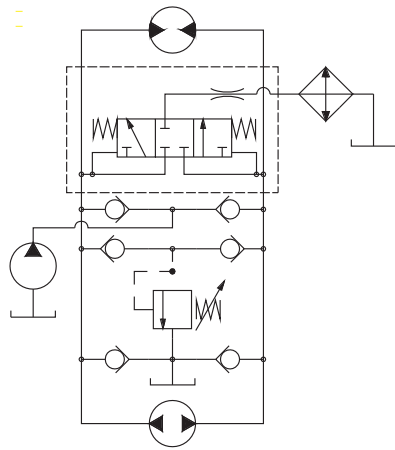
HYDRAULIC MOTOR BLOCKS TYPE BD



BDS 1212A

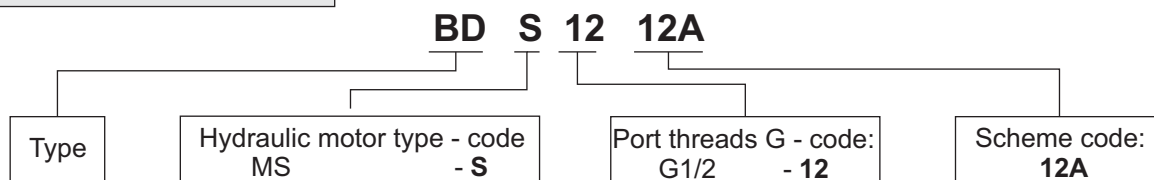


The block is used in closed hydraulic systems to separate flow for cooling. It is connected according to the enclosed hydraulic design.



Type	Nom. flow rate L/min	Pnom. bar	Port threads G
BDS 1212A	40	210	G1/2 - DIN 3852

ORDERING CODE



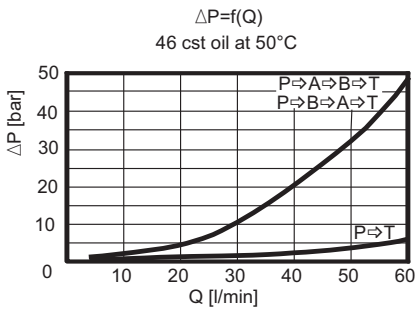
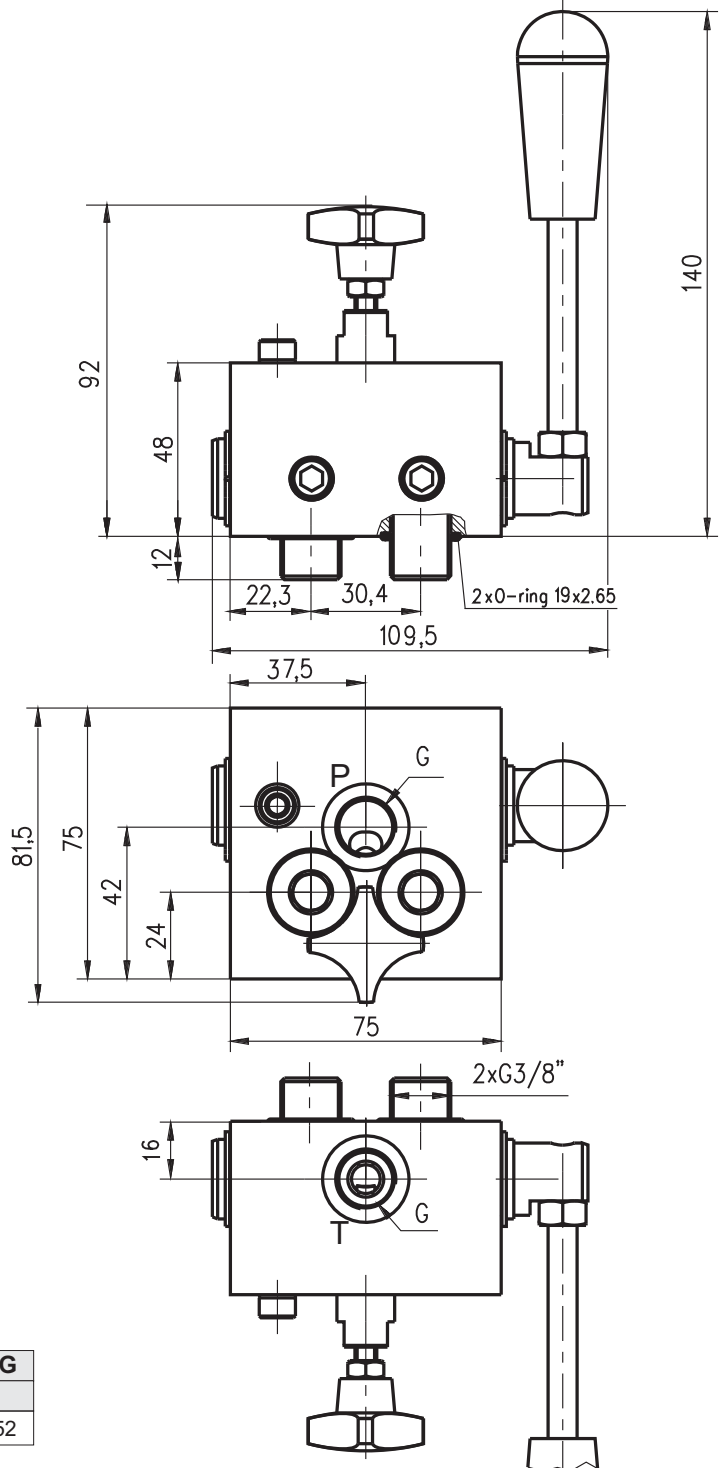
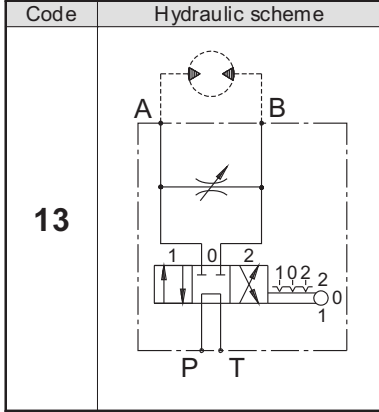
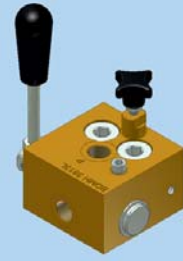


**Hidro
Pnevmo
Tehnika**

3, Vojeli St., Kazanlak, Bulgaria
Tel.: +359 431/ 62 228, 68 440
e-mail : info@hpt-bg.com
www.hpt-bg.com

HYDRAULIC MOTOR BLOCKS TYPE BD

BDMH 3813 L



Type	Nom. flow rate	P _{max.}	Port threads G
	L/min	bar	-
BDMH 3813 . /... .	30	175	G3/8 - DIN 3852

ORDERING CODE

BD M H 38 13 L

