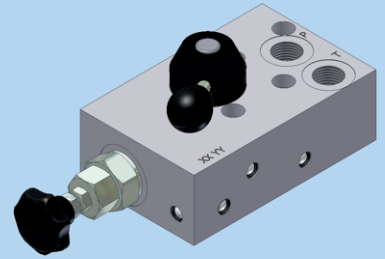




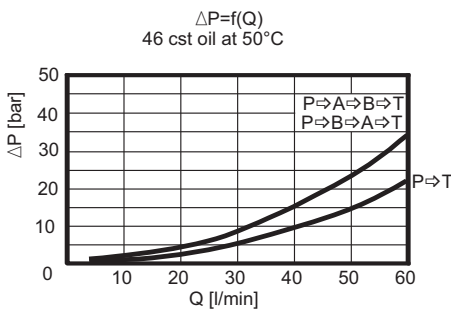
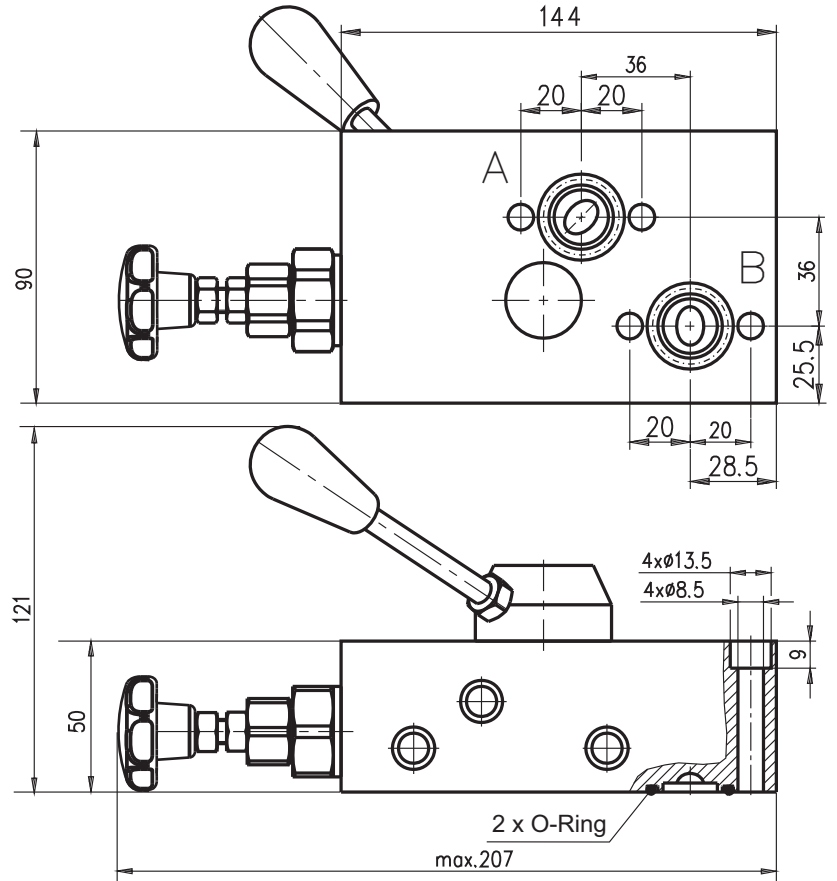
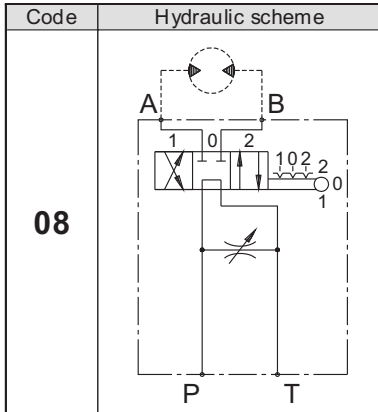
**Hidro
Pnevmo
Tehnika**

3, Vojeli St., Kazanlak, Bulgaria
Tel.: +359 431/62 228
Fax.: +359 431/62 019
e-mail: info@hpt-bg.com
www.hpt-bg.com

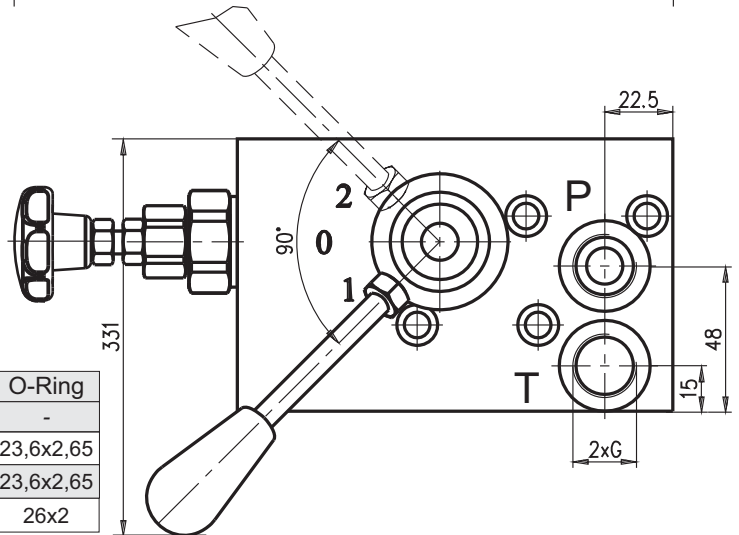
HYDRAULIC MOTOR BLOCKS TYPE BD



BDR .. 08



Type	Nom. flow rate	P _{nom.} bar	Port threads G	O-Ring
	L/min			
BDR 3808	25	210	G3/8 - DIN 3852	23,6x2,65
BDR 1208	60	210	G1/2 - DIN 3852	23,6x2,65
BDR 7808	70	210	7/8-14UNF - ISO 11926	26x2



ORDERING CODE

BD R 12 08

Type

Hydraulic motor type - code
MP or MR - R

Port threads G- code:
G3/8 - 38
G1/2 - 12
7/8-14 UNF- 78

Scheme code:
08