



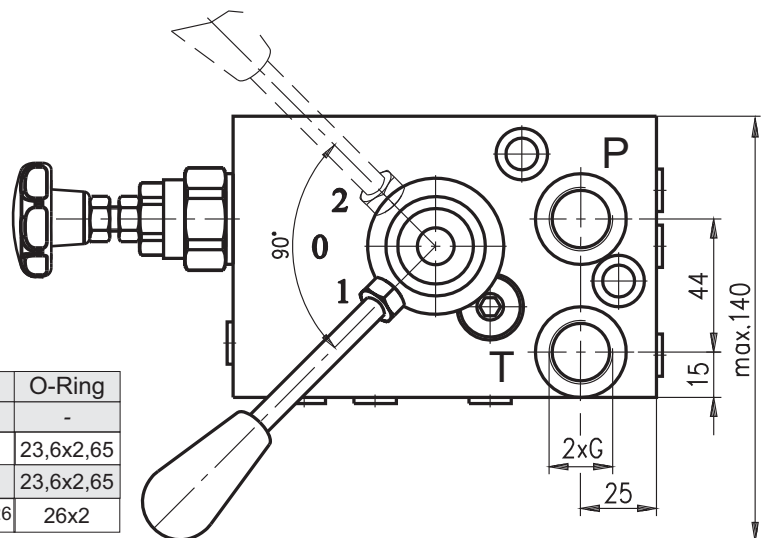
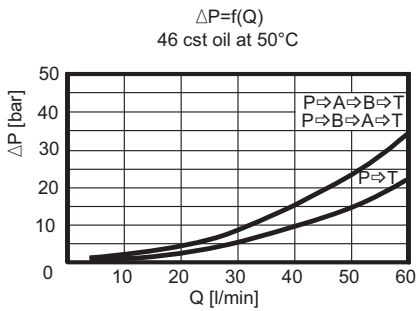
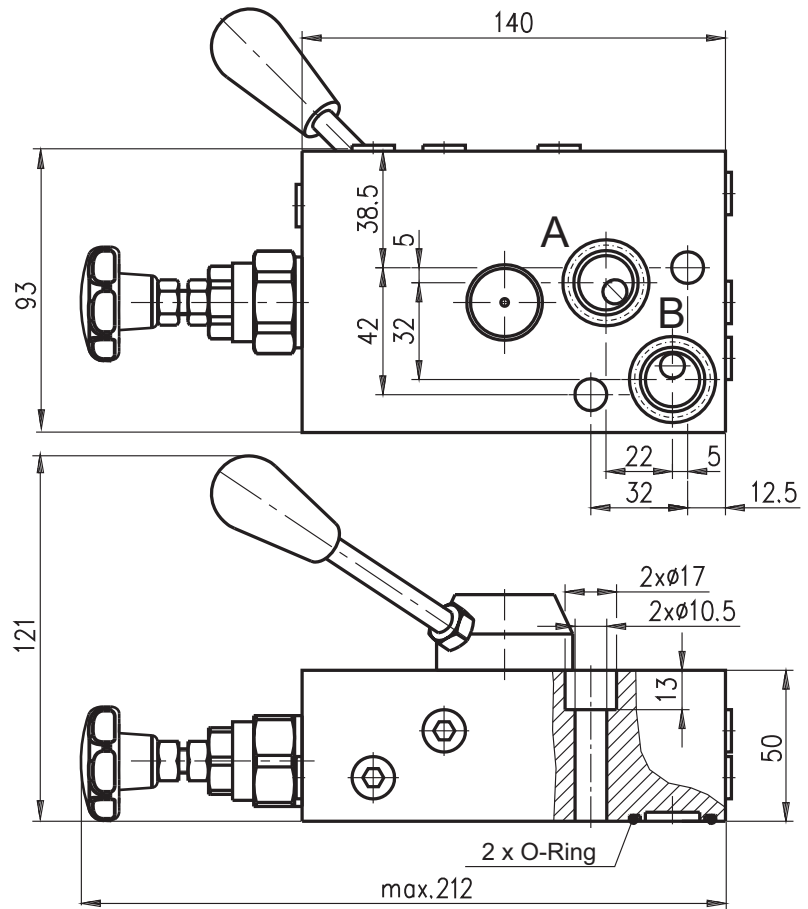
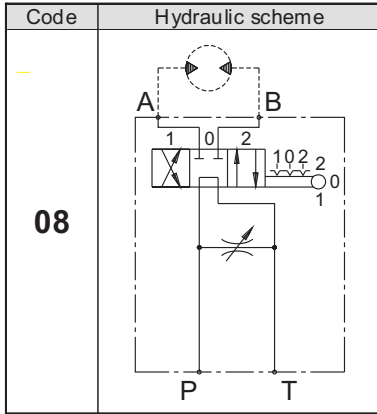
**Hidro
Pnevmo
Tehnika**

3, Vojeli St., Kazanlak, Bulgaria
Tel.: +359 431/62 228
Fax.: +359 431/62 019
e-mail: info@hpt-bg.com
www.hpt-bg.com

HYDRAULIC MOTOR BLOCKS TYPE BD



BDS .. 08



Type	Nom. flow rate	P _{nom.} bar	Port threads G	O-Ring
	L/min			
BDS 3808	25	210	G3/8 - DIN 3852	23,6x2,65
BDS 1208	60	210	G1/2 - DIN 3852	23,6x2,65
BDS 7808	70	210	7/8-14UNF - ISO 11926	26x2

ORDERING CODE

BD S 12 08

Type

Hydraulic motor type - code
MS - **S**

Port threads G - code:
G3/8 - **38**
G1/2 - **12**
7/8-14 UNF - **78**

Scheme code:
08