

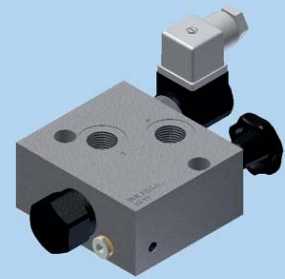


**Hidro  
Pnevmo  
Tehnika**

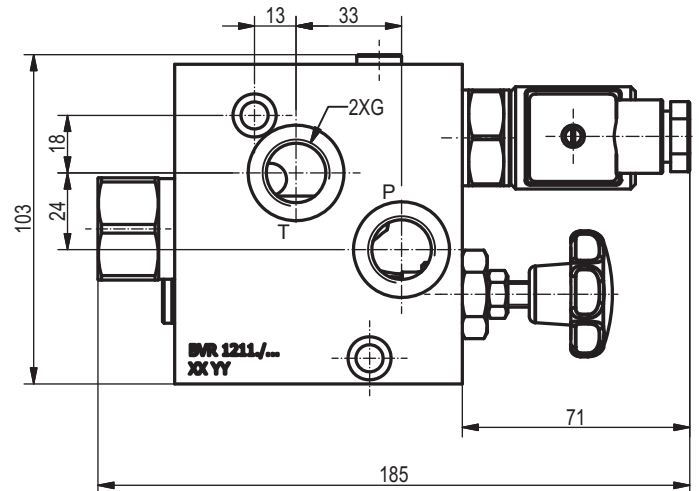
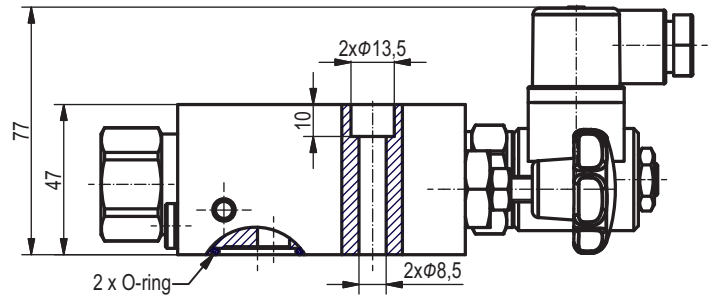
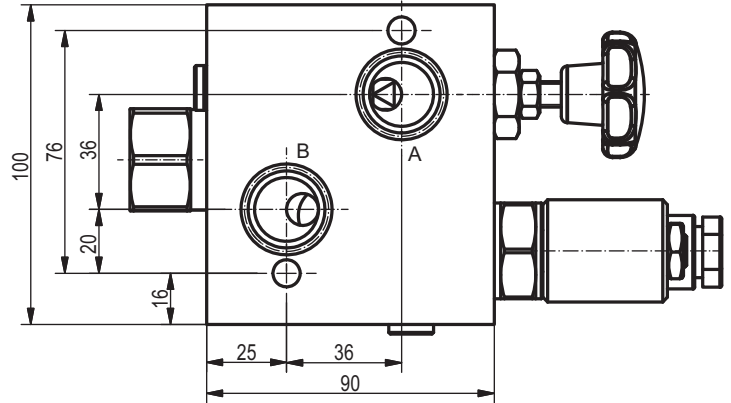
3, Vojeli St., Kazanlak, Bulgaria  
Tel.: +359 431/ 62 228, 68 440  
e-mail : info@hpt-bg.com  
www.hpt-bg.com

## HYDRAULIC MOTOR BLOCKS TYPE BV

**BVR .. 11. .. / ...**



Code	Hydraulic scheme
<b>11A</b>	
<b>11B</b>	



Type	Flow rate max. "P"	Max. flow at "A"	P <sub>max.</sub>	Port threads G	O-Ring
	L/min	L/min	bar	-	-
<b>BVR 1211. .. / ...</b>	80	60	250	G1/2 - DIN 3852	23,6x2,65
<b>BVR 7811. .. / ...</b>	80	60	250	7/8-14UNF - ISO 11926	26x2

### ORDERING CODE

**BV R 12 11A AL / 24**

Operating voltage - code:  
12V/00Hz - **12**  
24V/00Hz - **24**  
110V/50Hz - **110**  
220V/50Hz - **220**

Type

Hydraulic motor type - code  
MP or MR - **R**

Port threads - code:  
G1/2 - **12**  
7/8-14 UNF - **78**

Scheme code:  
**11A; 11B**

Body material - code:  
Cast iron - **Omit**  
Aluminium - **AL**