

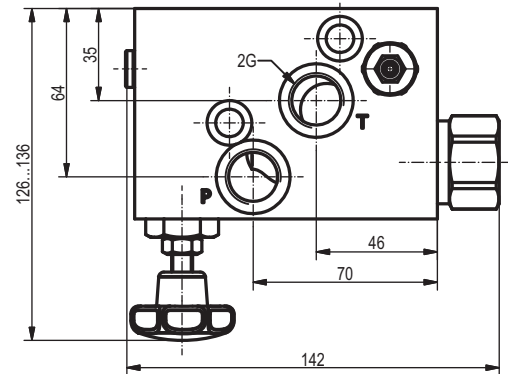
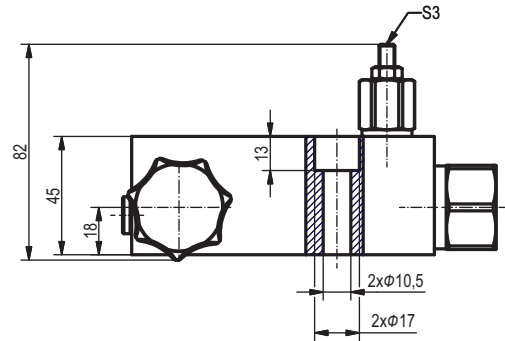
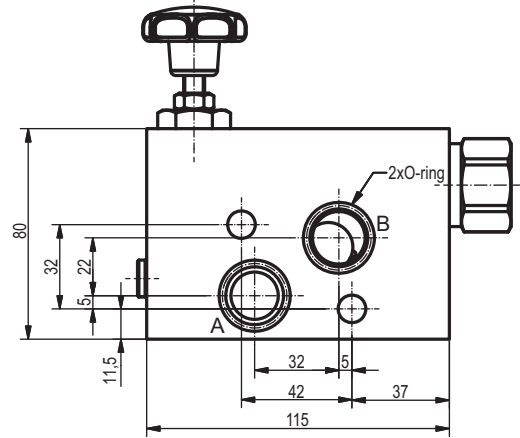
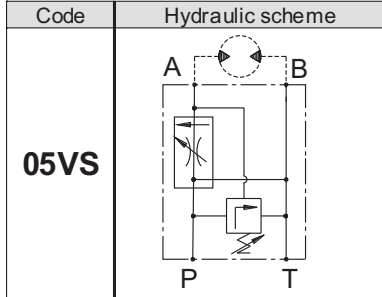


**Hidro  
Pnevmo  
Tehnika**

3, Vojeli St., Kazanlak, Bulgaria  
Tel.: +359 431/ 62 228, 68 440  
e-mail : info@hpt-bg.com  
www.hpt-bg.com

## HYDRAULIC MOTOR BLOCKS TYPE BV

**BVS .. 05VS ..**



Type	Flow rate max. "P"	Max. flow at "A"	Adj. pressure range	Pmax.	Port threads G	O-Ring
	L/min	L/min	bar	bar	-	-
<b>BVS 1205VS ..</b>	90	70	15...250	250	G1/2 - DIN 3852	22x2,65
<b>BVS 7805VS ..</b>	90	70	15...250	250	7/8-14UNF - ISO 11926	26x2

### ORDERING CODE

**BV S 12 05VS AL**

