

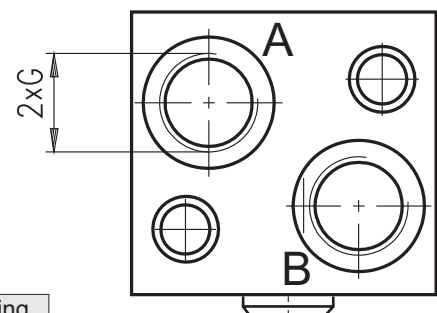
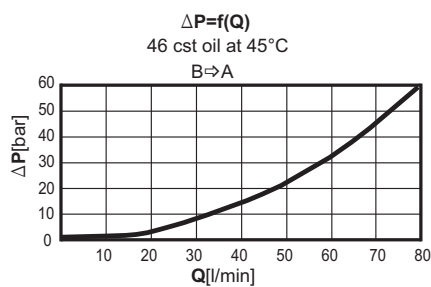
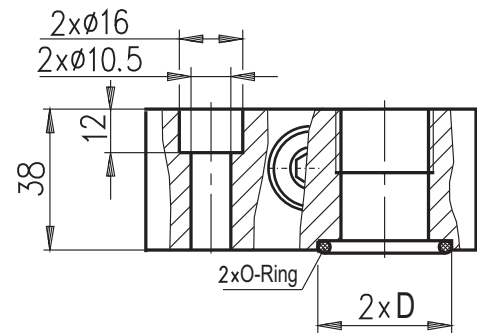
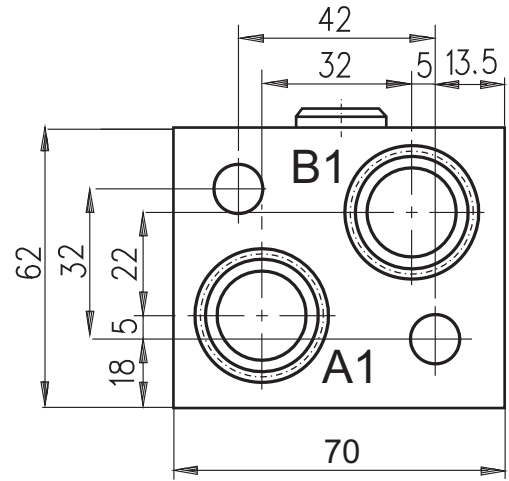
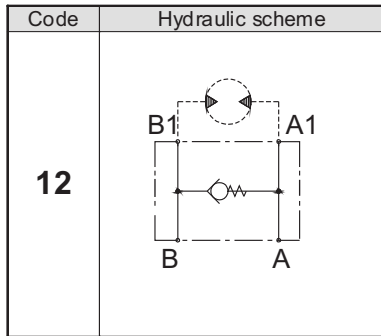
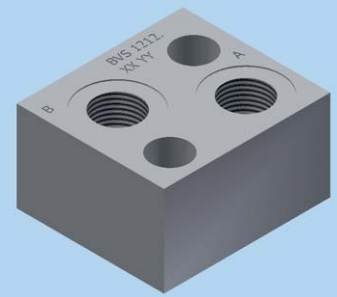


**Hidro
Pnevmo
Tehnika**

3, Vojeli St., Kazanlak, Bulgaria
Tel.: +359 431/ 62 228, 68 440
e-mail : info@hpt-bg.com
www.hpt-bg.com

HYDRAULIC MOTOR BLOCKS TYPE BV

BVS .. 12



Type	Nom. flow rate	P _{nom.} bar	Port threads G	D mm	O-Ring
	L/min				
BVS 1212	50	210	G1/2 - DIN 3852	28,5	23,6x2,65
BVS 7812	50	210	7/8-14UNF-ISO 11926	29,3	26x2

ORDERING CODE

