

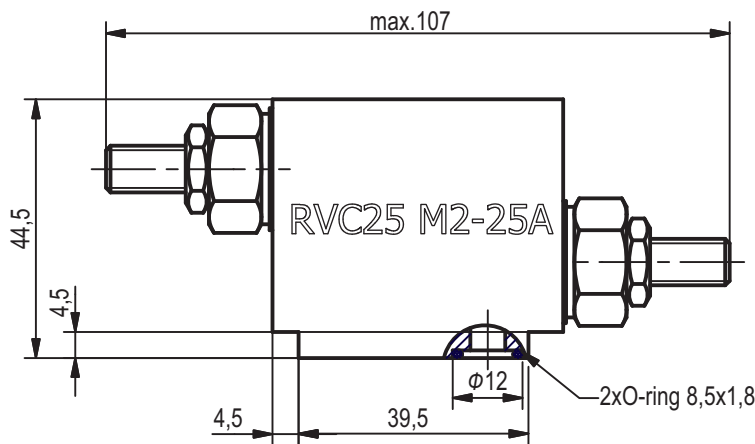
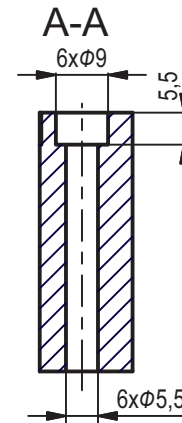
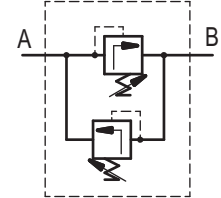
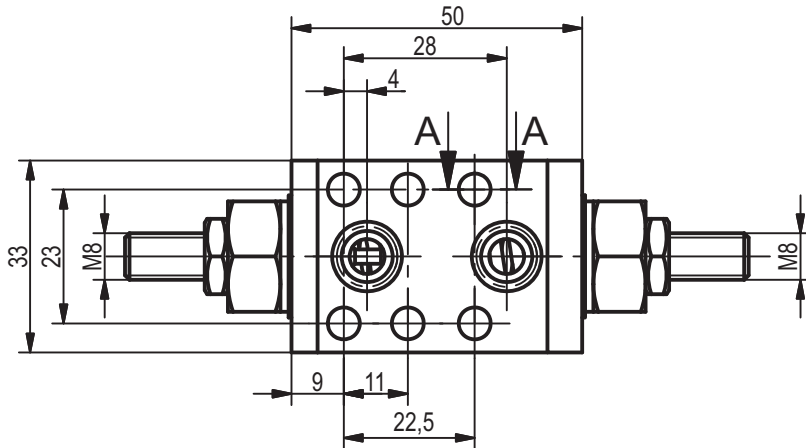
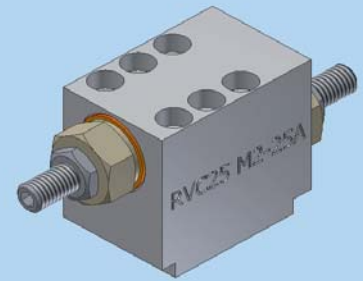


**Hidro
Pnevmo
Tehnika**

3, Vojeli St., Kazanlak, Bulgaria
Tel.: +359 431/ 62 228, 68 440
e-mail: info@hpt-bg.com
www.hpt-bg.com

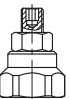
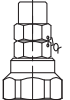
RELIEF VALVE

RVC25 M2-25.



Type	P _{max.} bar	Q _{nom.} L/min
RVC25 M2-25 ..	250	20

Code	Pressure range	
	Adj. pressure range	Standard setting (Q=20 L/min)
25	30...250 bar	200 bar

Code	Adjustment
A	Leakproof hex. socket screw 
C	Sealing cap 

Note: 1. All performances and calibrations are carried out by using hydraulic oil with viscosity approx. 46 cSt at 50°C
2. Working fluid: Viscosity - 10...100 mm²/s. Temperature range: -20°C...+80°C. Filtration absolute: 25 µm.

ORDERING CODE

RVC25 M2 - 25 A

