



**Hidro  
Pnevmo  
Tehnika**

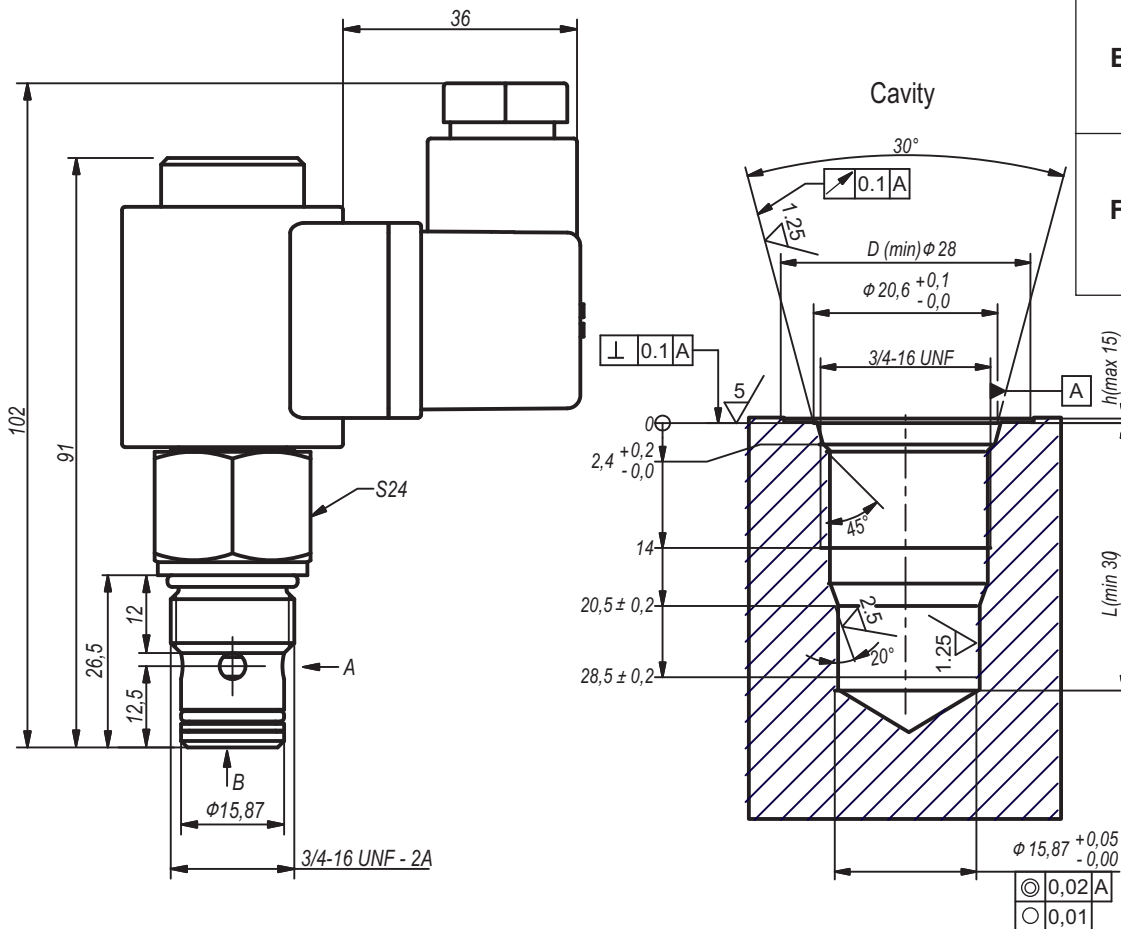
3, Vojeli St., Kazanlak, Bulgaria  
Tel.: +359 431/ 62 228, 68 440  
e-mail: info@hpt-bg.com  
www.hpt-bg.com

## SOLENOID VALVES

# SV081 ./...



Code	Hydraulic scheme
<b>A</b>	 normally open
<b>B</b>	 normally closed
<b>E</b>	 normally open with reverse flow de-energized
<b>F</b>	 normally closed with reverse flow de-energized



TECHNICAL DATA		
	Measurement unit	Value
Maximum pressure	bar	250
Nominal flow	L/min	16

All performances and calibration are carried out by using hydraulic oil with viscosity approx 46 cSt at 50 °C.

Temperature range: -20...+80 °C

Filtration absolute: 25 μm

### ORDERING CODE

**SV081 B - 12**

Type

Hydraulic scheme - code  
normally open - **A**  
normally closed - **B**  
normally open - **E**  
normally closed - **F**

Operating voltage - code  
12V / 00Hz - **12**  
24V / 00Hz - **24**  
110V/50Hz - **110**  
220V/50Hz - **220**