
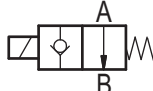
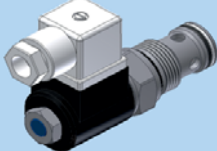
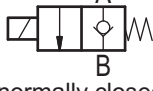
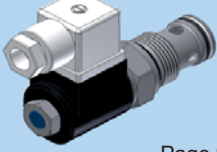
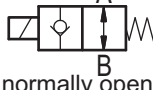

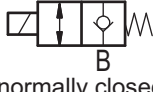




<p>SV081 . - ...</p>  <p>Page 9.1</p>	 <p>normally open</p>
<p>SV13 . 1 - ...</p>  <p>Page 9.2</p>	 <p>normally closed</p>
<p>SV15 . 1 - ...</p>  <p>Page 9.3</p>	 <p>normally open with reverse flow de-energized</p>
<p>SV15 . 1 - ...</p>  <p>Page 9.3</p>	 <p>normally closed with reverse flow de-energized</p>



**Hidro
Pnevmo
Tehnika**

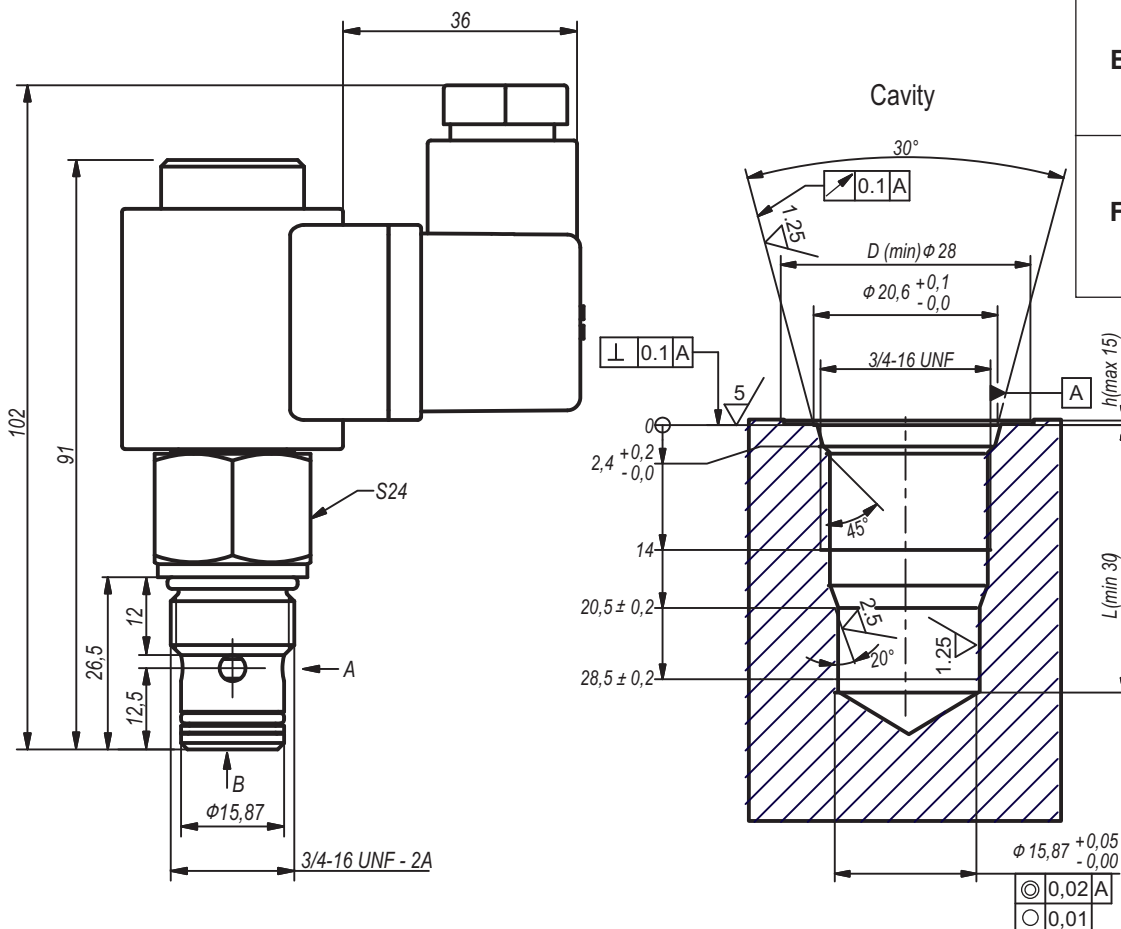
3, Vojeli St., Kazanlak, Bulgaria
Tel.: +359 431/ 62 228, 68 440
e-mail: info@hpt-bg.com
www.hpt-bg.com

SOLENOID VALVES

SV081 ./...



Code	Hydraulic scheme
A	 normally open
B	 normally closed
E	 normally open with reverse flow de-energized
F	 normally closed with reverse flow de-energized



TECHNICAL DATA		
	Measurement unit	Value
Maximum pressure	bar	250
Nominal flow	L/min	16

All performances and calibration are carried out by using hydraulic oil with viscosity approx 46 cSt at 50 °C.
Temperature range: -20...+80 °C
Filtration absolute: 25 μm

ORDERING CODE

SV081 B - 12

Type

Hydraulic scheme - code
normally open - **A**
normally closed - **B**
normally open with reverse flow de-energized - **E**
normally closed with reverse flow de-energized - **F**

Operating voltage - code
12V / 50Hz - **12**
24V / 50Hz - **24**
110V/50Hz - **110**
220V/50Hz - **220**

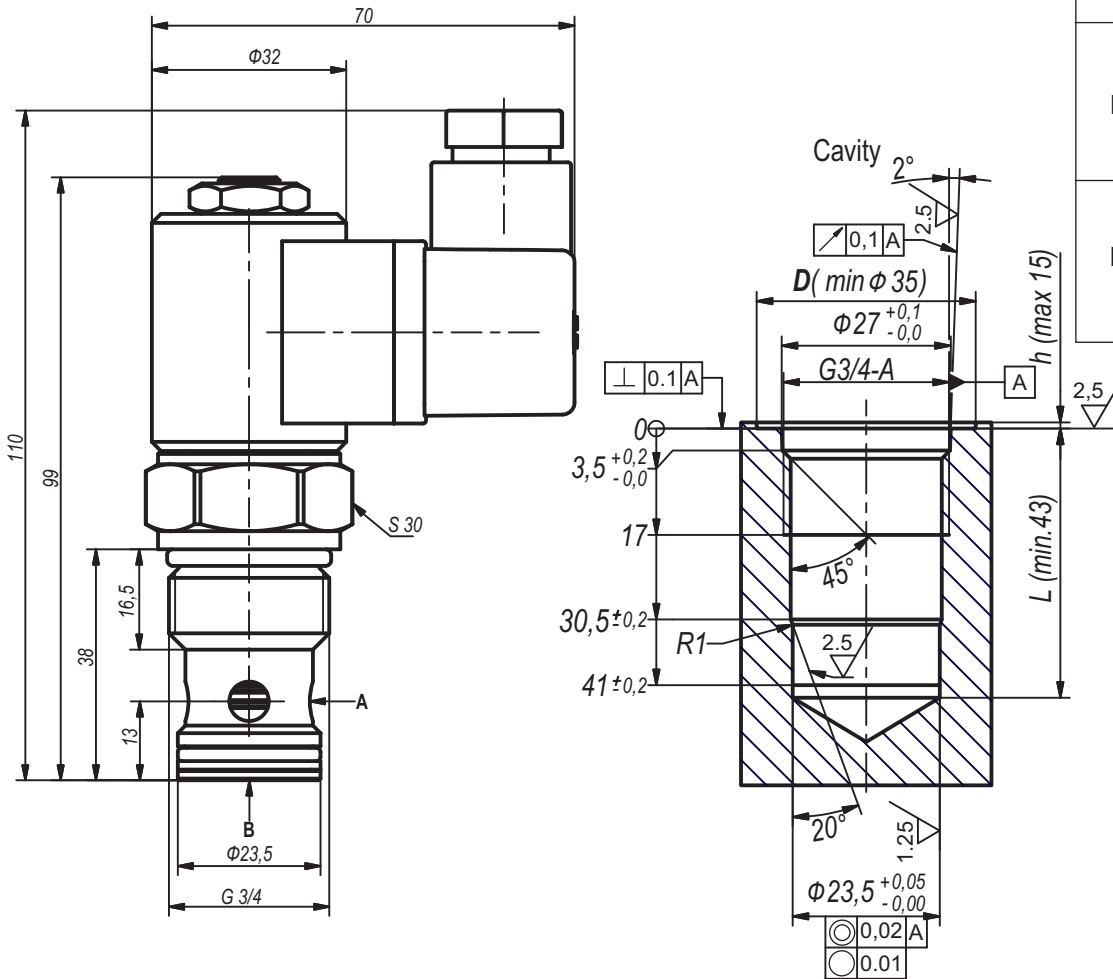
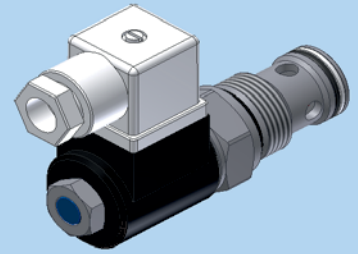


**Hidro
Pnevmo
Tehnika**

3, Vojeli St., Kazanlak, Bulgaria
Tel.: +359 431/ 62 228, 68 440
e-mail : info@hpt-bg.com
www.hpt-bg.com

SOLENOID VALVES

SV13..-...



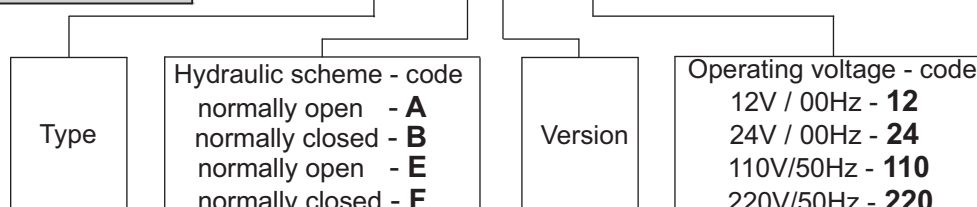
Code	Hydraulic scheme
A	 normally open
B	 normally closed
E	 normally open with reverse flow de-energized
F	 normally closed with reverse flow de-energized

TECHNICAL DATA		
	Measurement unit	Value
Maximum pressure	bar	250
Nominal flow	L/min	60

All performances and calibration are carried out by using hydraulic oil with viscosity approx 46 cSt at 50 °C.
Temperature range: -20...+80 °C
Filtration absolute: 25 μm

ORDERING CODE

SV13 B 1 - 12



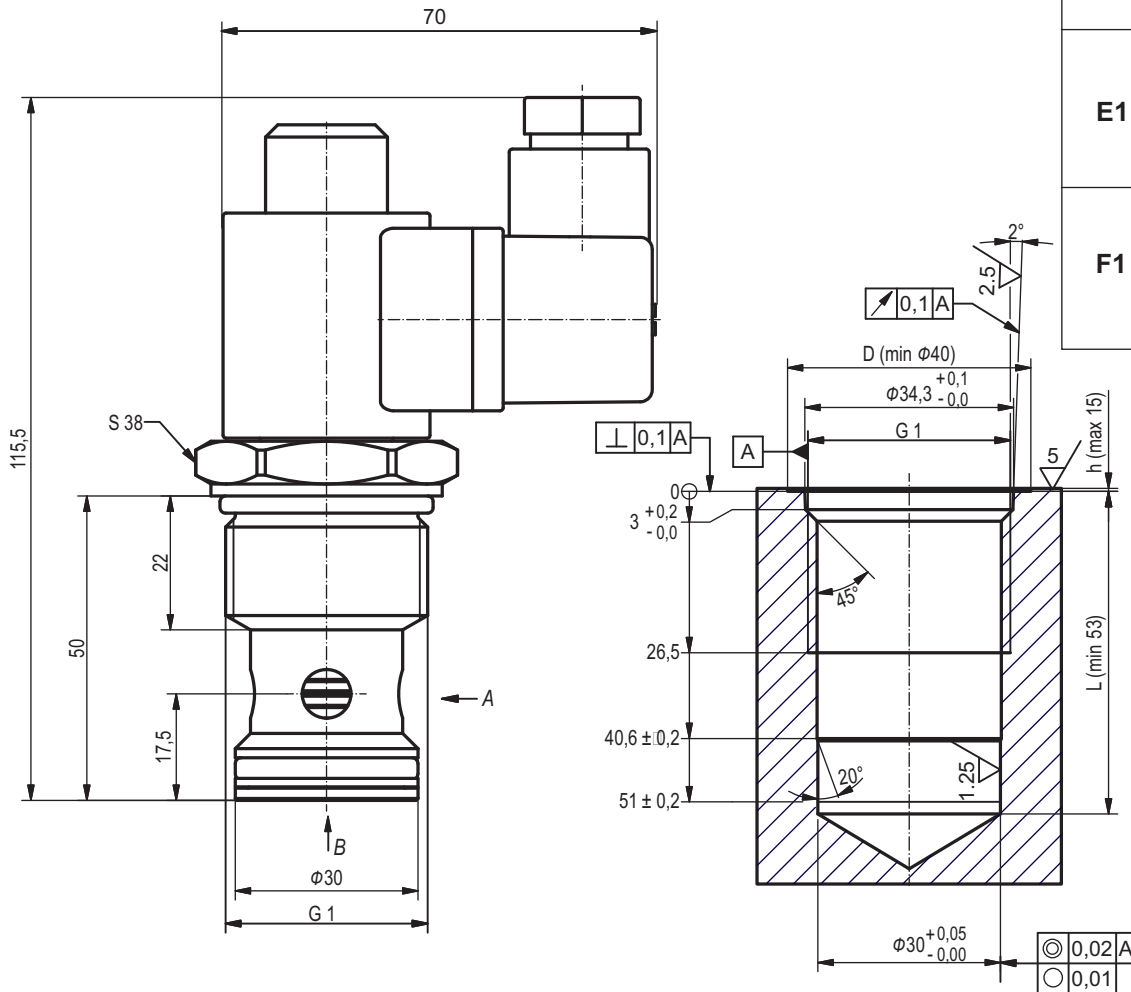
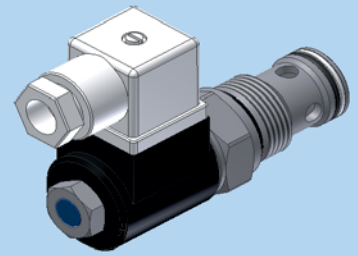


**Hidro
Pnevmo
Tehnika**

3, Vojeli St., Kazanlak, Bulgaria
Tel.: +359 431/ 62 228, 68 440
e-mail: info@hpt-bg.com
www.hpt-bg.com

SOLENOID VALVES

SV15...-



Code	Hydraulic scheme
A1	 normally open
B1	 normally closed
E1	 normally open with reverse flow de-energized
F1	 normally closed with reverse flow de-energized

TECHNICAL DATA		
	Measurement unit	Value
Maximum pressure	bar	250
Nominal flow	L/min	120

All performances and calibration are carried out by using hydraulic oil with viscosity approx 46 cSt at 50 °C.
Temperature range: -20...+80 °C
Filtration absolute: 25 μm

ORDERING CODE

SV15 B 1 - 12

