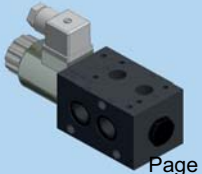
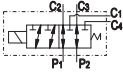

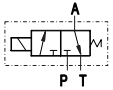
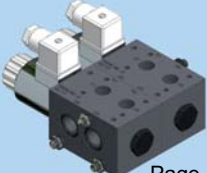
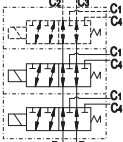

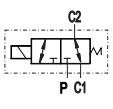

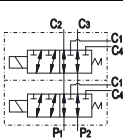

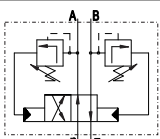

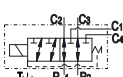
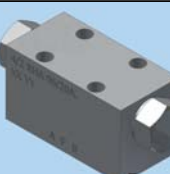
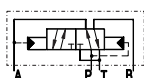

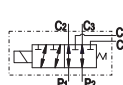

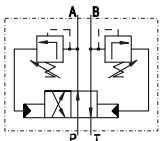
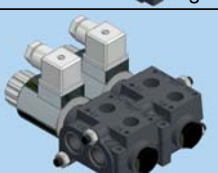
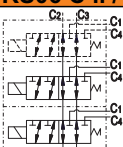
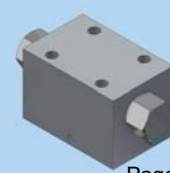


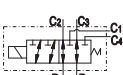
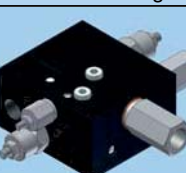
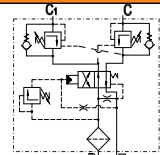
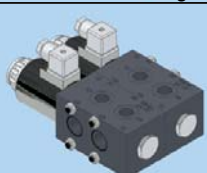
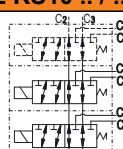

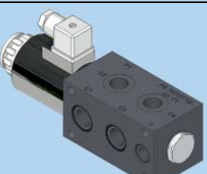
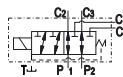




DIRECTIONAL CONTROL VALVES

 Page 1.1	RS06 .. / ..-2 	 Page 1.10	RHB06- .. / ... -2 
 Page 1.2	2 RS06 .. / ..-2 	 Page 1.11	RHB10- .. / ...-2 
 Page 1.3	RM 06 / ..-2 	 Page 1.13	4/2 RHA06/20 
 Page 1.4	RS06 T 38/ ..-2 	 Page 1.14	4/2 RHA06/20A 
 Page 1.5	RS06 C .. / ..-2 	 Page 1.15	4/2 RHA10/20 
 Page 1.6	2 RS06 C .. / ..-2 	 Page 1.16	4/2 RHA10/20A 
 Page 1.7	RS10 .. / ..-2 	 Page 1.17	RHAW4-10 
 Page 1.8	2 RS10 .. / ..-2 	 Page 1.18	EHO...-
 Page 1.9	RS10T .. / ..-2 		

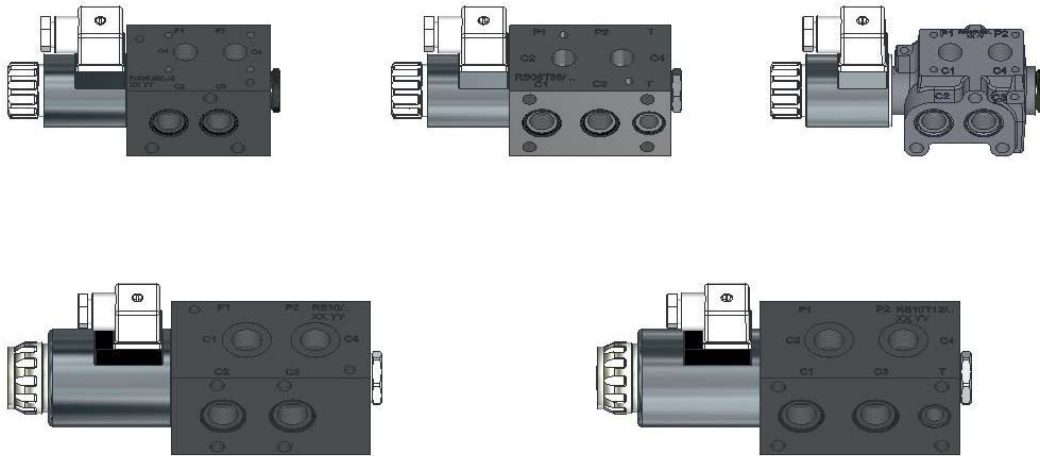
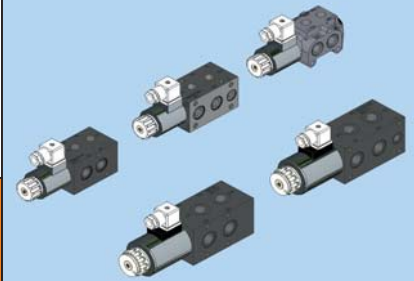


**Hidro
Pnevmo
Tehnika**

3, Vojeli St., Kazanlak, Bulgaria
Tel.: +359 431/ 62 228, 68 440
e-mail : info@hpt-bg.com
www.hpt-bg.com

SOLENOID OPERATED DIRECTIONAL CONTROL VALVES

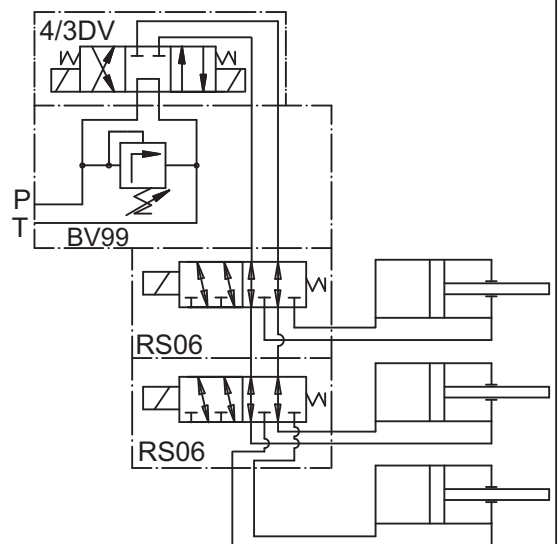
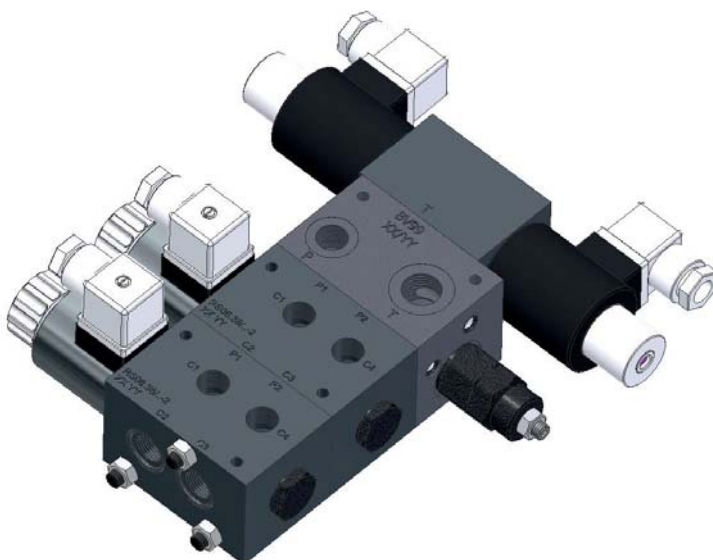
RS..



The solenoid directional control valves of the RS type are used to control the motion of one or more consumers. Usually one 4/3 directional control valve is used in the system, by which the necessary direction of the motion is determined. A similar connection diagram is shown below.

The 4/3 directional control valve is mounted on a separate hydraulic block (BV99 of our production list), to which the necessary number of the directional control valves of the RS can be joined. The flow from BV99 is supplied to a directional control valve of the RS type, which specifies which one of the consumers will function. In case of more than two consumers, one additional RS directional control valve is added for every additional consumer. The stacking of the directional control valves (up to 10 units) is realized by pins and nuts, and the sealing between them is fulfilled by frontal O-rings. This pattern provides an economy of one solenoid per each consumer and an improved compactness.

Three types of solenoids are manufactured, which differ by the nominal flow – RS04 (10 L/min), RS06 (30 L/min) and RS10 (50 L/min), as the maximum pressure for all of them is 250 bar. Beside the options of RS06 and RS10, RS06..T and RS10..T are also offered for maximum pressure of 350 bar. They have one additional port “T”, which leads the leakages out of the chamber of the directional control valve and has to be connected to the tank. The maximum allowed pressure at port “T” is 200 bar.



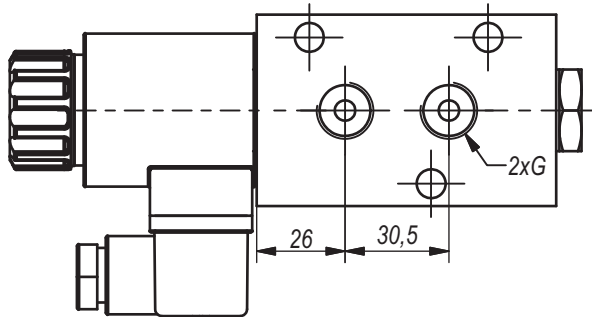
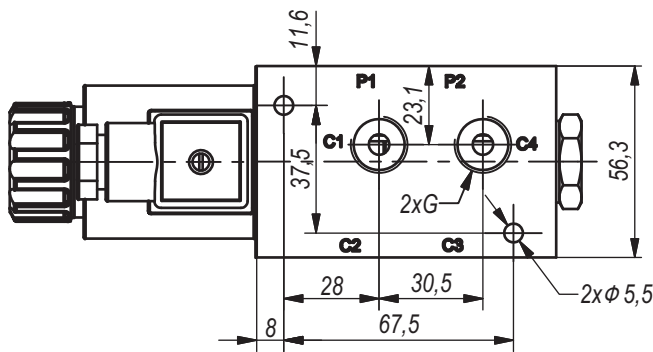
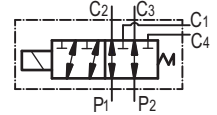
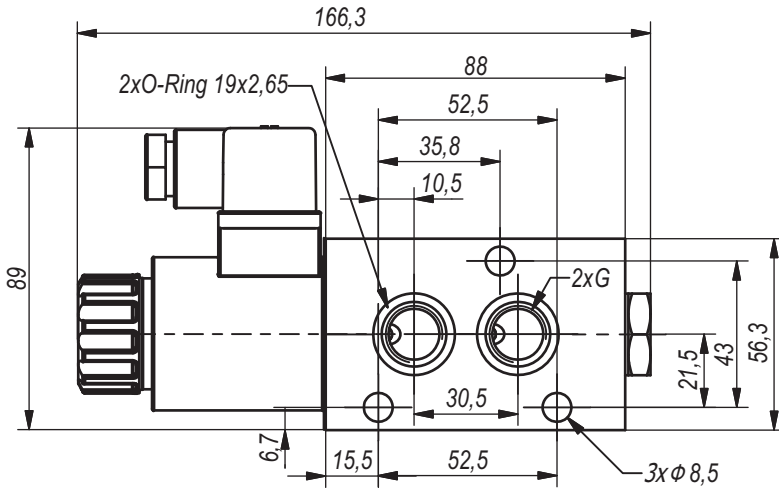
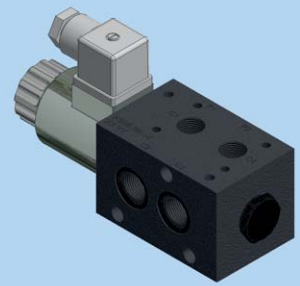


**Hidro
Pnevmo
Tehnika**

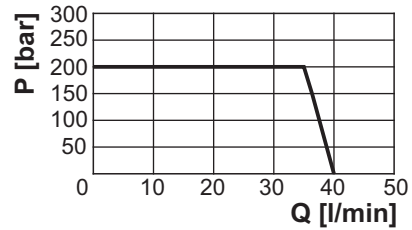
3, Vojeli St., Kazanlak, Bulgaria
Tel.: +359 431/ 62 228, 68 440
e-mail: info@hpt-bg.com
www.hpt-bg.com

SOLENOID OPERATED DIRECTIONAL CONTROL VALVE

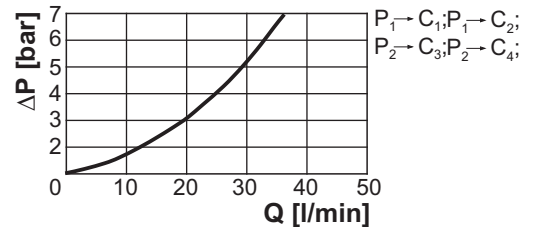
. RS06 ... / ..-2



Operating limit



$\Delta P = f(Q)$



Note:

- All performances and calibration are carried out by using hydraulic oil with viscosity approx 46 cSt at 50 °C.
- Tightening torque for the solenoid - 25 N.m.

TECHNICAL DATA

General		
Ambient temperature	°C	-20...+50
Hydraulic		
Maximal pressure	bar	250
Maximal flow rate	L/min	30
Working fluid - mineral oil		
- viscosity	mm ² /s	10...100
- filtration level	μm	25 or better
- temperature	°C	-20...+80
Power supply		
Voltage	V DC	12
		24

ORDERING CODE

RS06 38 / 12-2

Series

Number of sections: **1...8**
One section: **Omit**
/for 2...8 sections see page 1.2/

Type

Port threads "G" - code:
G3/8" - 38

Operating voltage - code:
12V / 00Hz - 12
24V / 00Hz - 24
110V/50Hz - 110
220V/50Hz - 220

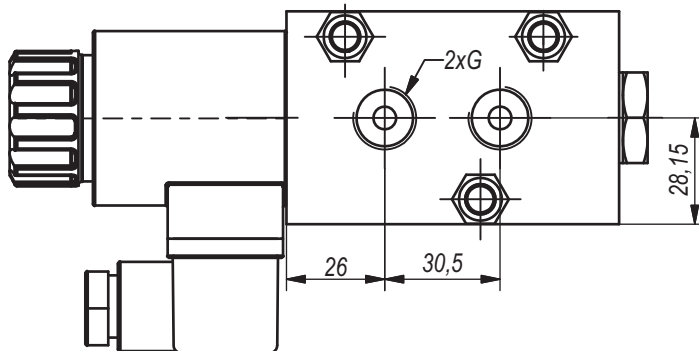
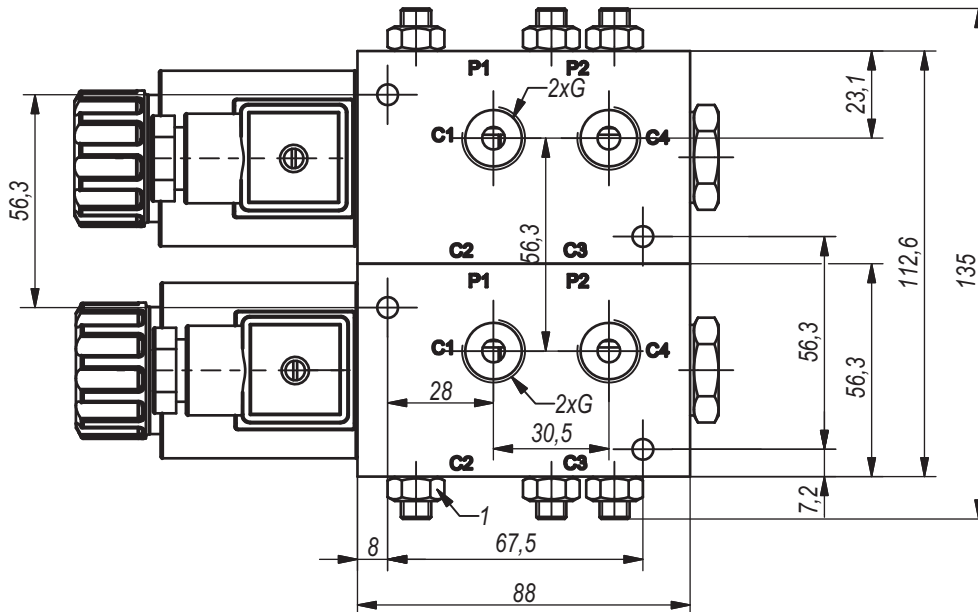
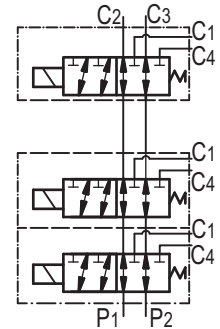
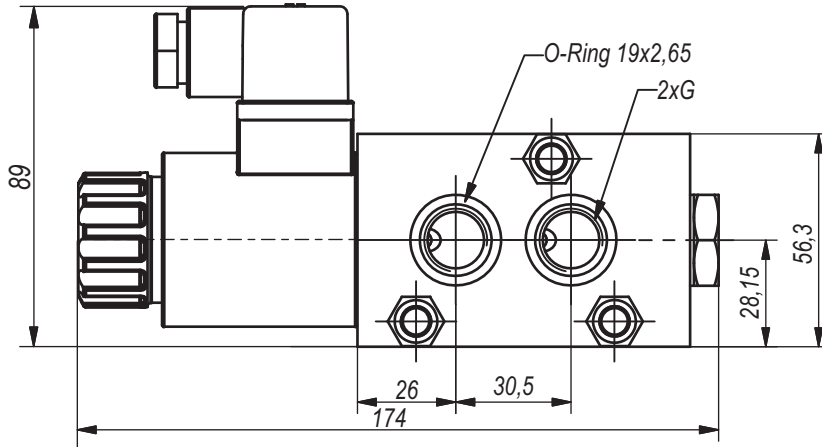
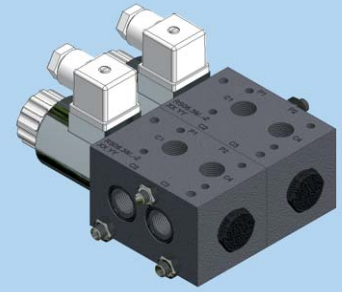


**Hidro
Pnevmo
Tehnika**

3, Vojeli St., Kazanlak, Bulgaria
Tel.: +359 431/ 62 228
e-mail : info@hpt-bg.com
www.hpt-bg.com

SOLENOID OPERATED DIRECTIONAL CONTROL VALVE

. RS06 ... / ..-2



Note:

1. It is possible to make stacks with up to 8 directional control valves. A stack with 2 valves is shown.
2. For technical data see page 1.2.
3. Tightening torque for the solenoid - 25 N.m.
4. Tightening torque for the nuts (position 1) - 20...23 N.m.

ORDERING CODE

. RS06 38 / 12 - 2

Series

Number of sections: **2...8**

Type

Port threads "G" - code:
G3/8" - 38

Operating voltage - code:
12V / 00Hz - 12
24V / 00Hz - 24
110V/50Hz - 110
220V/50Hz - 220

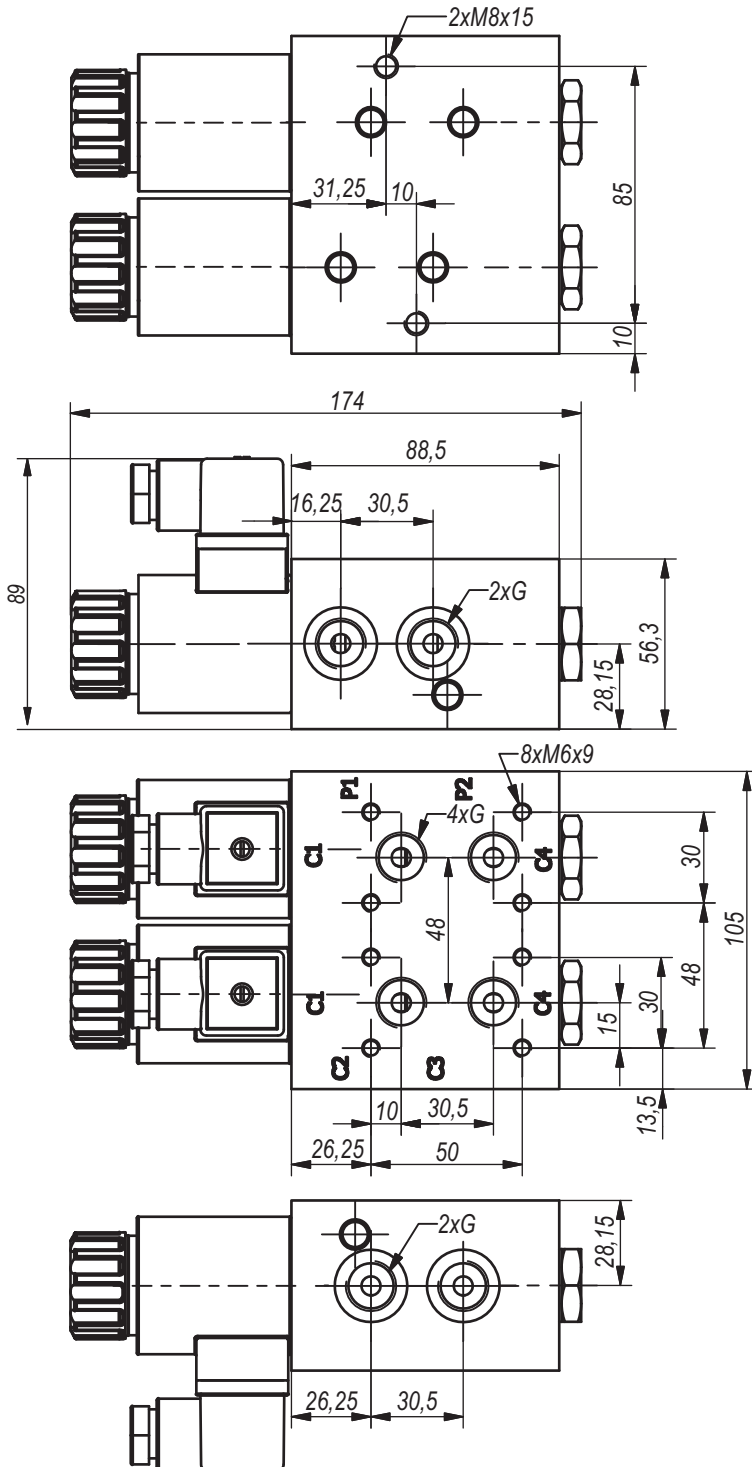
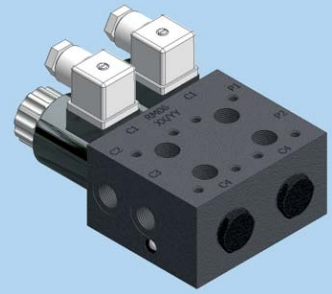


**Hidro
Pnevmo
Tehnika**

3, Vojeli St., Kazanlak, Bulgaria
Tel.: +359 431/ 62 228
e-mail : info@hpt-bg.com
www.hpt-bg.com

SOLENOID OPERATED DIRECTIONAL CONTROL VALVE

RM 06 .. / ..-2



Note:

1. The RM directional control valves are of the RS type, as two directional control valves are mounted in one block (monoblock directional control valve).
2. For technical data see p. 1.2.
3. Tightening torque for the solenoids to the directional control valves -25 N.m.

ORDERING CODE

RM 06 .. / .. - 2

Series

Type

Port threads "G" - code:
G3/8" - omit

Operating voltage - code:
12V / 00Hz - 12
24V / 00Hz - 24

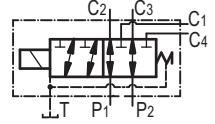
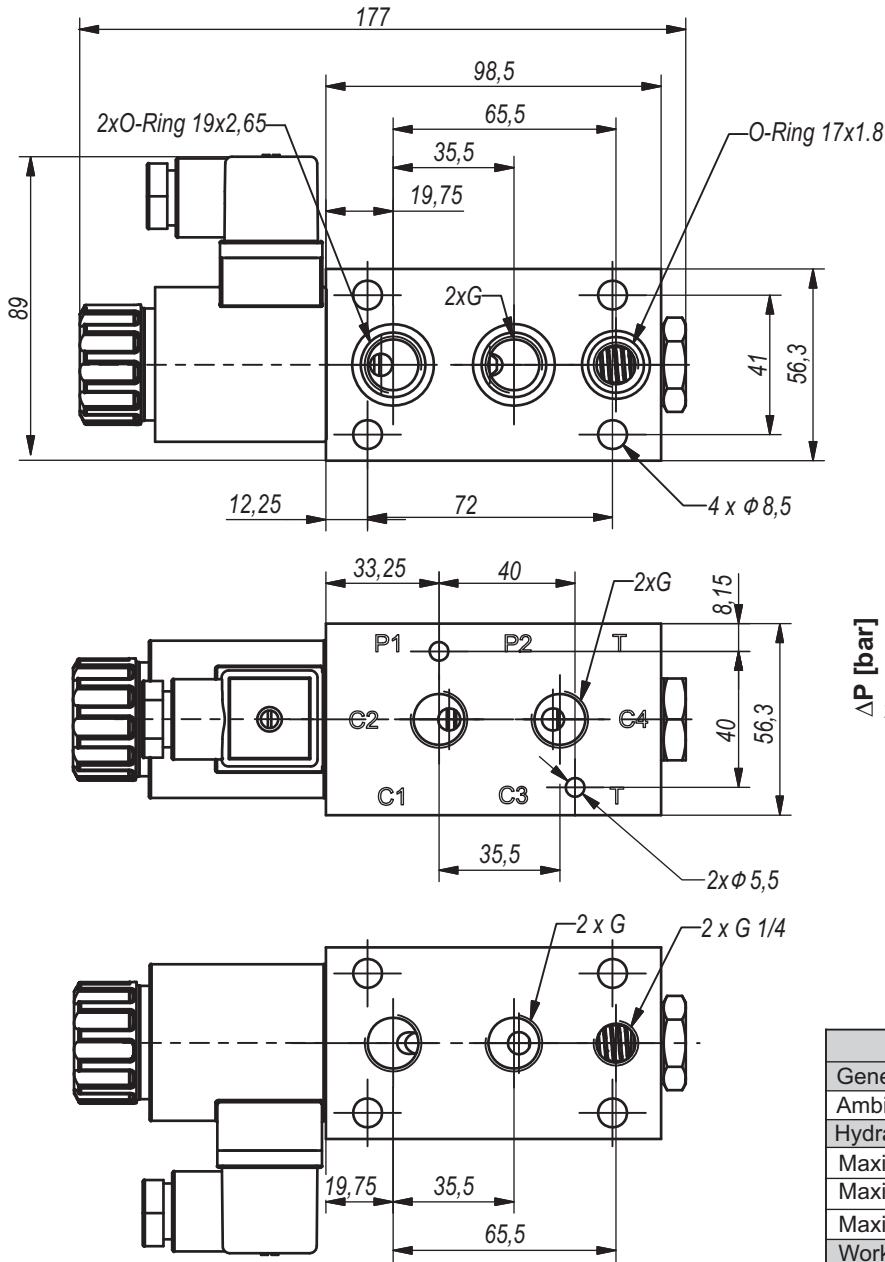
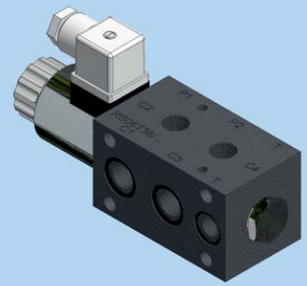


**Hidro
Pnevmo
Tehnika**

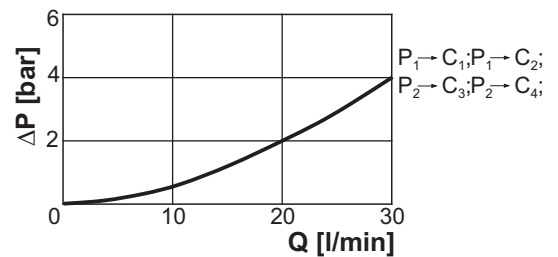
3, Vojeli St., Kazanlak, Bulgaria
Tel.: +359 431/ 62 228
e-mail : info@hpt-bg.com
www.hpt-bg.com

SOLENOID OPERATED DIRECTIONAL CONTROL VALVE

. RS06 T 38/ ..-2



$\Delta P = f(Q)$



Note:

- All performances and calibration are carried out by using hydraulic oil with viscosity approx 46 cSt at 50 °C.
- Tightening torque for the solenoid - 25 N.m.

TECHNICAL DATA		
General		
Ambient temperature	°C	-20...+50
Hydraulic		
Maximal pressure	bar	350
Maximal pressure port "T"	bar	200
Maximal flow rate	L/min	30
Working fluid - mineral oil		
- viscosity	mm ² /s	10...100
- filtration level	μ m	25 or better
- temperature	°C	-20...+80
Power supply		
Voltage	V DC	12 24

ORDERING CODE

RS06 T 38 / 12 - 2

Series

Number of sections: **1...4**
One section: **Omit**

Type

Port threads "G" - code:
G3/8" - 38

Operating voltage - code:
12V / 00Hz - 12
24V / 00Hz - 24

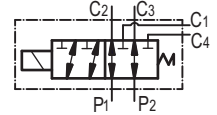
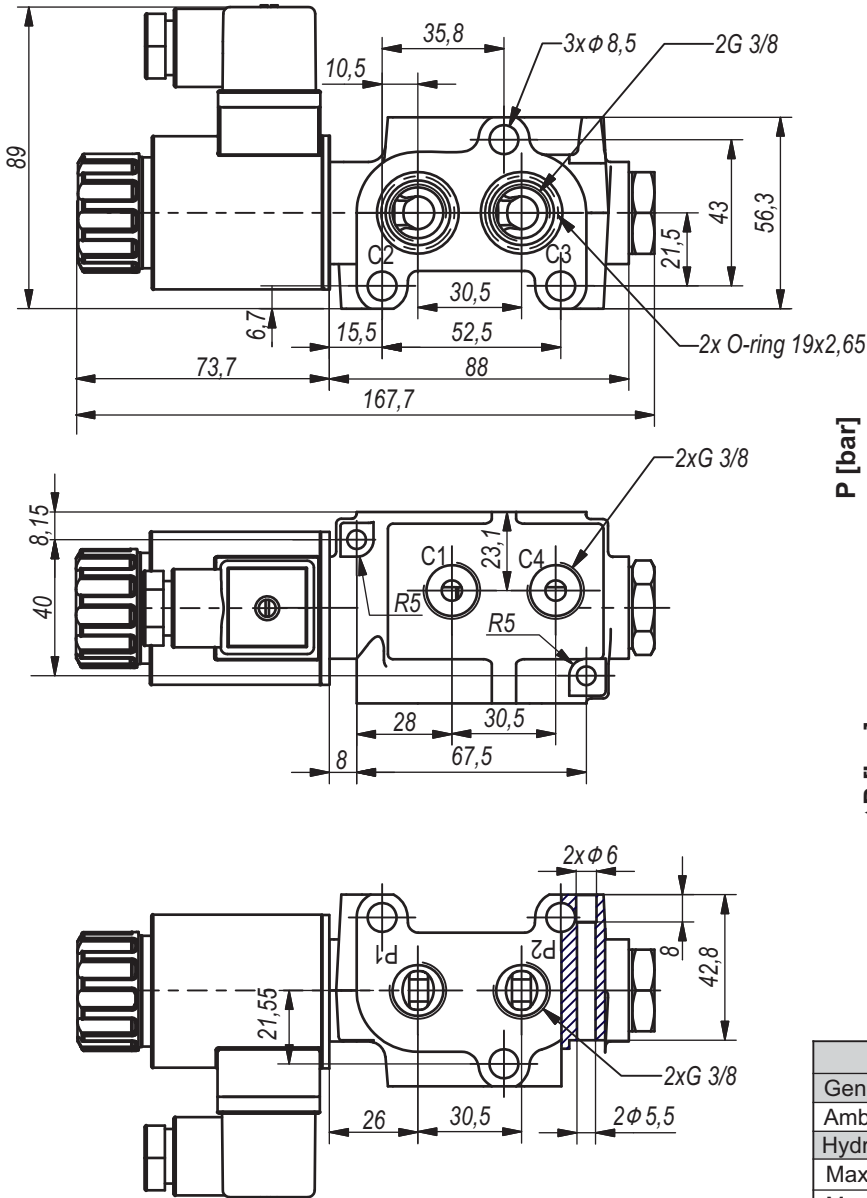
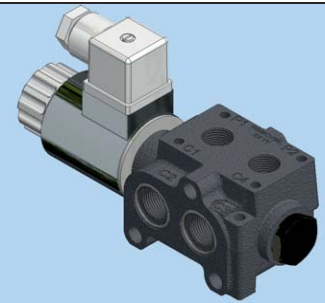


**Hidro
Pnevmo
Tehnika**

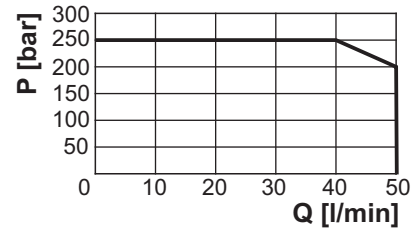
3, Vojeli St., Kazanlak, Bulgaria
Tel.: +359 431/ 62 228, 68 440
e-mail : info@hpt-bg.com
www.hpt-bg.com

SOLENOID OPERATED DIRECTIONAL CONTROL VALVE

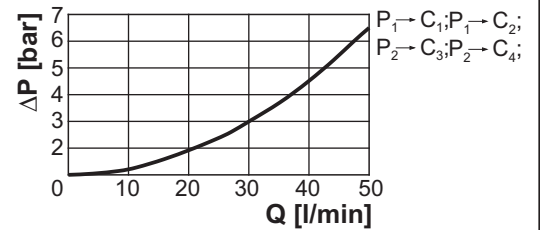
. RS06C ... / ..-2



Operating limit



$\Delta P = f(Q)$



TECHNICAL DATA

General		
Ambient temperature	°C	-20...+50
Hydraulic		
Maximal pressure	bar	250
Maximal flow rate	L/min	50
Working fluid - mineral oil		
- viscosity	mm ² /s	10...100
- filtration level	μ m	25 or better
- temperature	°C	-20...+80
Power supply		
Voltage	V DC	12 24

Note:

- All performances and calibration are carried out by using hydraulic oil with viscosity approx 46 cSt at 50 °C.
- Tightening torque for solenoid - 25 N.m.

ORDERING CODE

. RS06C 38 / 12 - 2

Series

Number of sections: **1...8**
One section: **Omit**
/for 2...8 sections see page 1.6/

Type

Port threads "G" - code:
G3/8" - 38

Operating voltage - code:
12V / 00Hz - 12
24V / 00Hz - 24
110V/50Hz - 110
220V/50Hz - 220

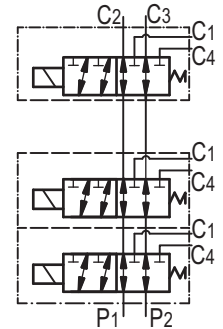
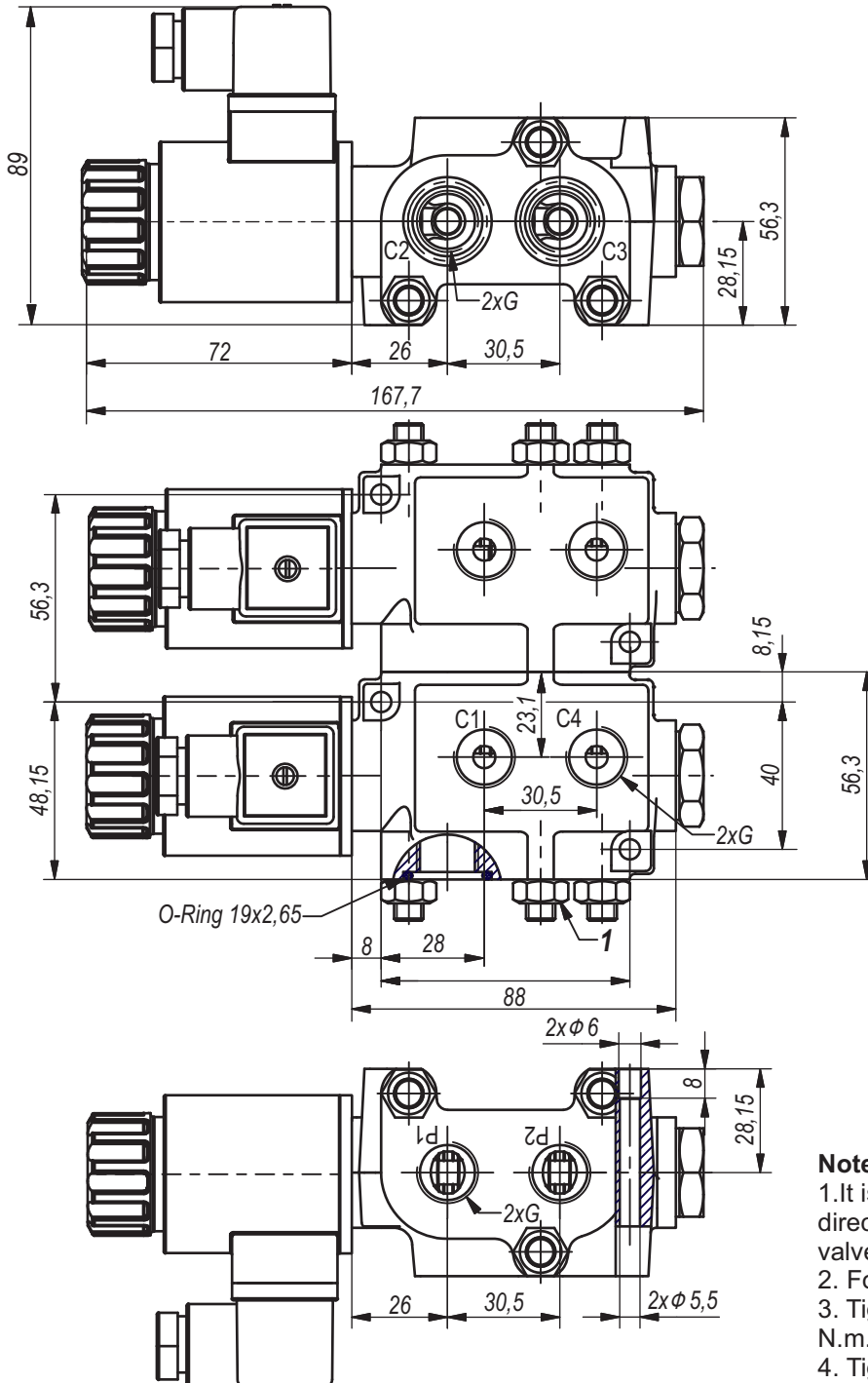
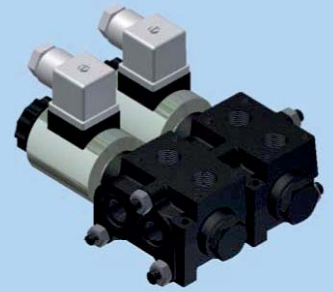


**Hidro
Pnevmo
Tehnika**

3, Vojeli St., Kazanlak, Bulgaria
Tel.: +359 431/ 62 228
e-mail: info@hpt-bg.com
www.hpt-bg.com

SOLENOID OPERATED DIRECTIONAL CONTROL VALVE

. RS06 C ... / ..-2



Note:

1. It is possible to make stacks with up to 8 directional control valves. A stack with 2 valves is shown.
2. For technical data see page 1.3.
3. Tightening torque for the solenoid - 25 N.m.
4. Tightening torque for the nuts (position 1) - 20...23 N.m.

ORDERING CODE

RS06C 38 / 12 - 2

Series

Number of sections: **2...8**

Type

Port threads "G" - code:
G3/8" - 38

Operating voltage - code:
12V / 00Hz - 12
24V / 00Hz - 24
110V/50Hz - 110
220V/50Hz - 220

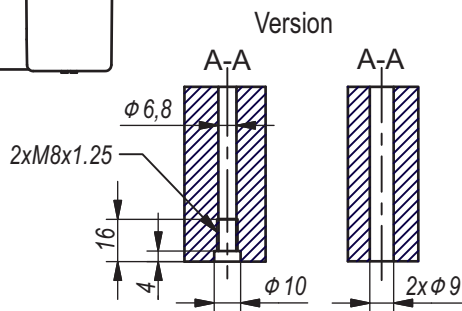
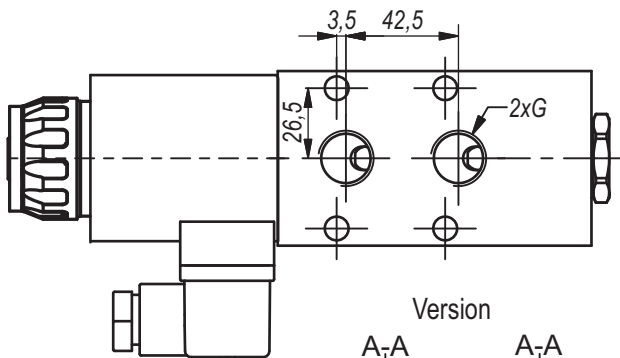
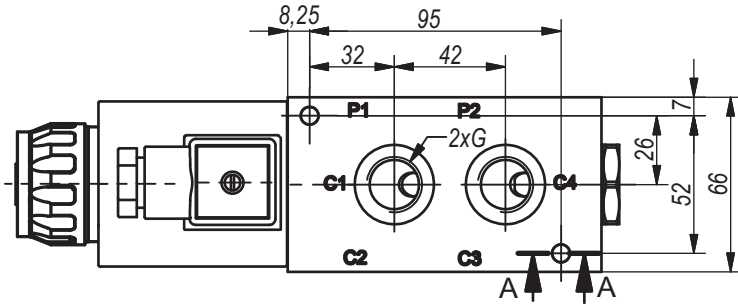
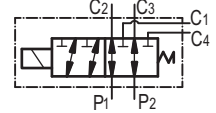
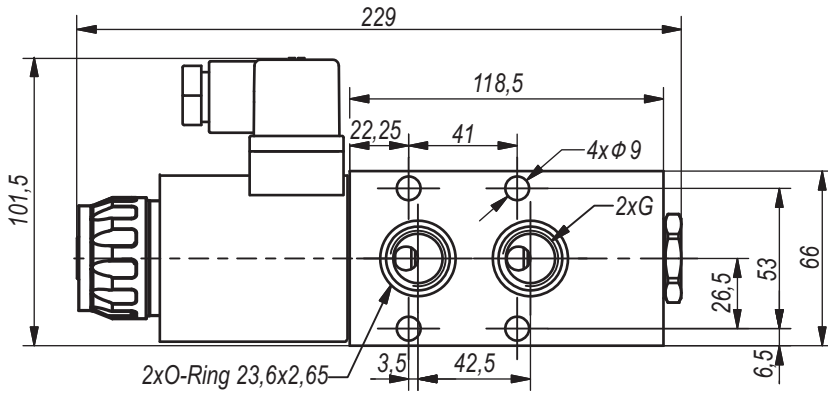
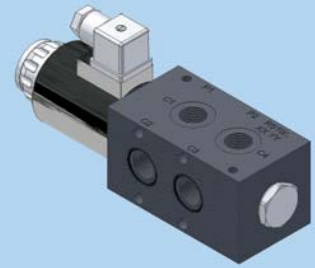


**Hidro
Pnevmo
Tehnika**

3, Vojeli St., Kazanlak, Bulgaria
Tel.: +359 431/ 62 228
e-mail: info@hpt-bg.com
www.hpt-bg.com

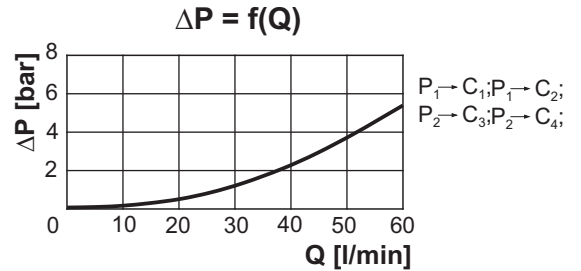
SOLENOID OPERATED DIRECTIONAL CONTROL VALVE

. RS10 .. / .. -2



Note:

- All performances and calibration are carried out by using hydraulic oil with viscosity approx 46 cSt at 50 °C.
- Tightening torque for the solenoid - 30 N.m.



TECHNICAL DATA		
General		
Ambient temperature	°C	-20...+50
Hydraulic		
Maximal pressure	bar	250
Maximal flow rate	L/min	60
Working fluid - mineral oil		
- viscosity	mm ² /s	10...100
- filtration level	μm	25 or better
- temperature	°C	-20...+80
Power supply		
Voltage	V DC	12 24
	V AC	110/50Hz 220/50Hz

ORDERING CODE

RS10 .. / 12 - 2 Series

Number of sections: 1...4 One section: Omit (for 2...4 sections see page 1.8)	Type	Port threads "G" - code G1/2" - omit	Operating voltage - code: 12V / 00Hz - 12 24V / 00Hz - 24 110V/50Hz - 110 220V/50Hz - 220	Version - code: 2xM8 - omit 2xφ9 - B
---	------	--	---	--

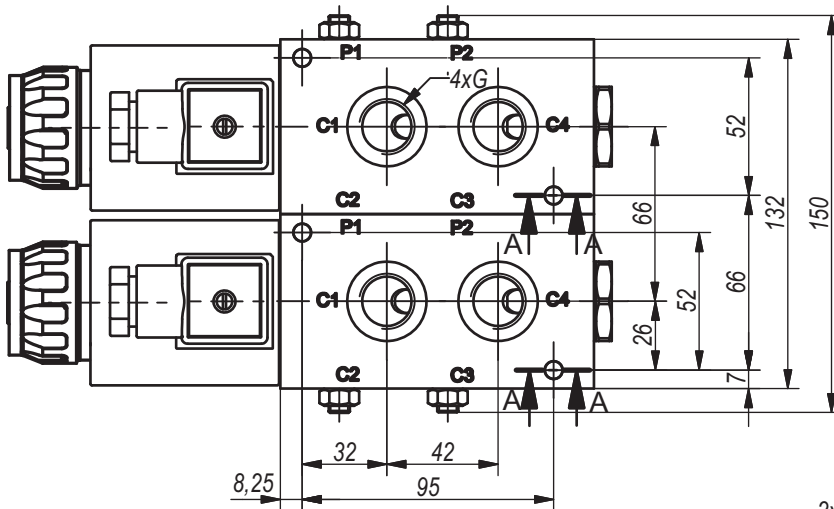
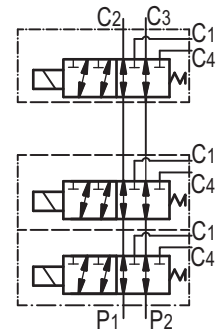
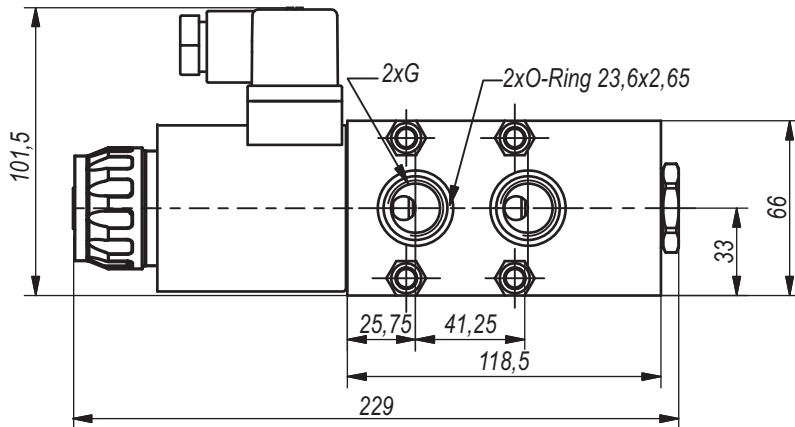
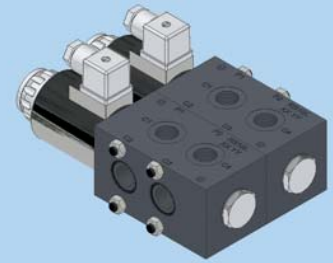


**Hidro
Pnevmo
Tehnika**

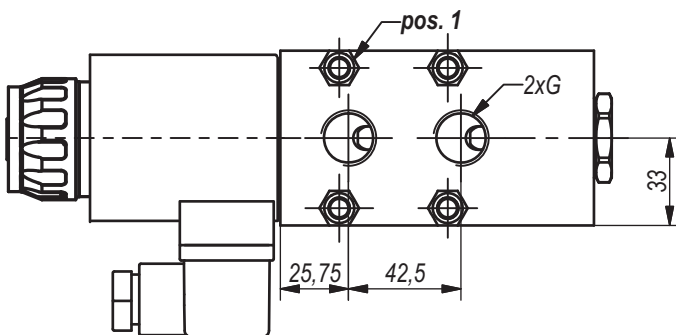
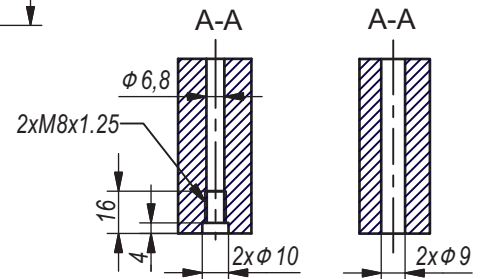
3, Vojeli St., Kazanlak, Bulgaria
Tel.: +359 431/ 62 228
e-mail : info@hpt-bg.com
www.hpt-bg.com

SOLENOID OPERATED DIRECTIONAL CONTROL VALVE

. RS10 .. / .. -2



Version



Note:

1. It is possible to make stacks with up to 4 directional control valves. A stack with 2 valves is shown.
2. For technical data see page 1.7.
3. Tightening torque for the solenoid - 30 N.m.
4. Tightening torque for the nuts (position 1) - 20...23 N.m.

ORDERING CODE

2 RS10 .. / 12 B - 2 Series

Number of sections: **2...4**

Type

Port threads "G" - code
G1/2" - omit

Operating voltage - code:
12V / 00Hz - 12
24V / 00Hz - 24
110V/50Hz - 110
220V/50Hz - 220

Version - code:
2xM8 - omit
2xφ9 - B

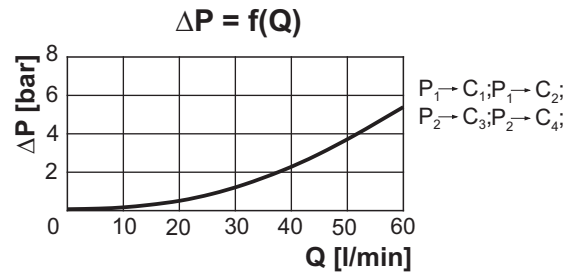
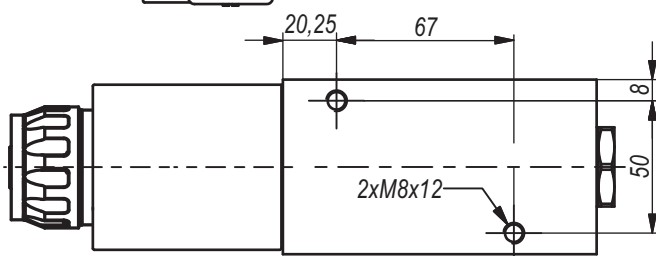
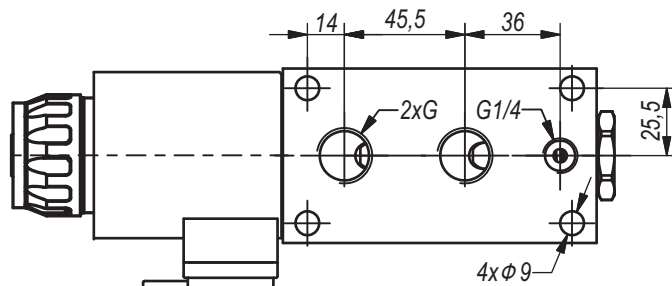
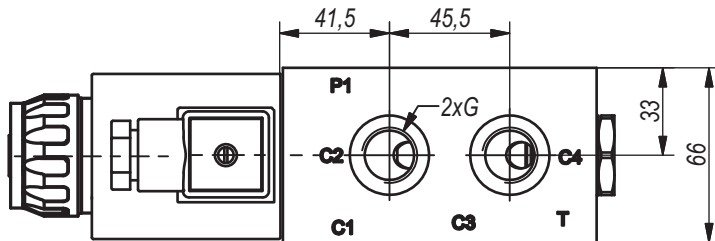
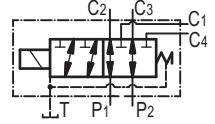
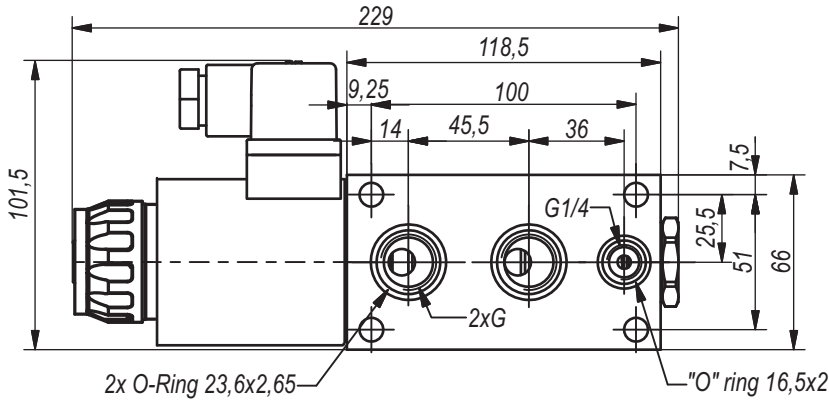
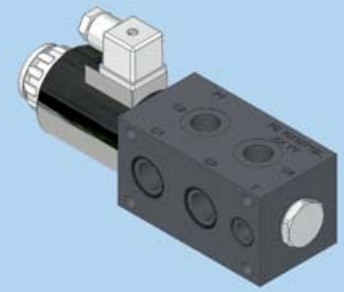


**Hidro
Pnevmo
Tehnika**

3, Vojeli St., Kazanlak, Bulgaria
Tel.: +359 431/ 62 228
e-mail : info@hpt-bg.com
www.hpt-bg.com

SOLENOID OPERATED DIRECTIONAL CONTROL VALVE

. RS10T .. / ..-2



Note:

- All performances and calibration are carried out by using hydraulic oil with viscosity approx 46 cSt at 50 °C.
- Tightening torque for the solenoid - 30 N.m.

TECHNICAL DATA		
General		
Ambient temperature	°C	-20...+50
Hydraulic		
Maximal pressure	bar	350
Maximal pressure port "T"	bar	200
Maximal flow rate	L/min	90
Working fluid - mineral oil		
- viscosity	mm ² /s	10...100
- filtration level	µm	25 or better
- temperature	°C	-20...+80
Power supply		
Voltage	V DC	12 24
	V AC	110/50Hz 220/50Hz

ORDERING CODE

. RS10T 12 / 12 - 2 Series

Number of sections: 1...4 One section: Omit	Type	Port threads "G" - code G1/2" - 12	Operating voltage - code: 12V / 00Hz - 12 24V / 00Hz - 24 110V/50Hz - 110 220V/50Hz - 220
--	------	--	---

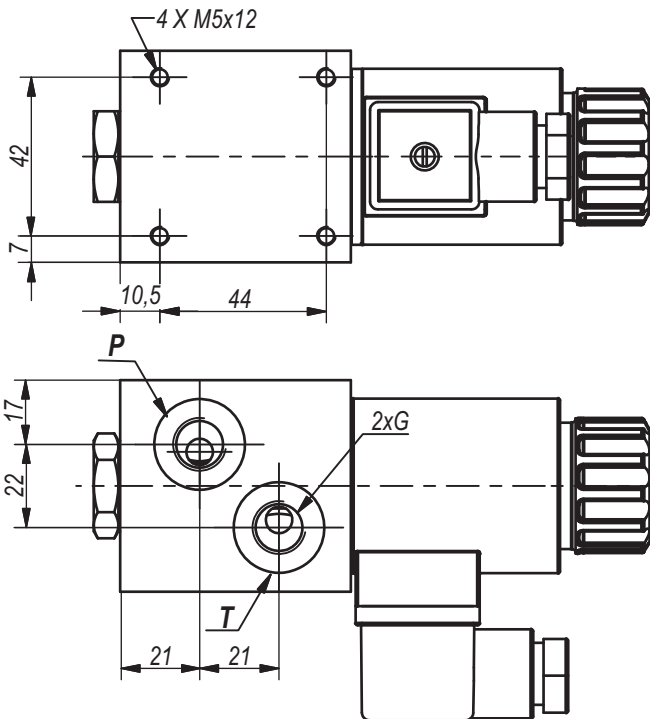
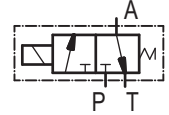
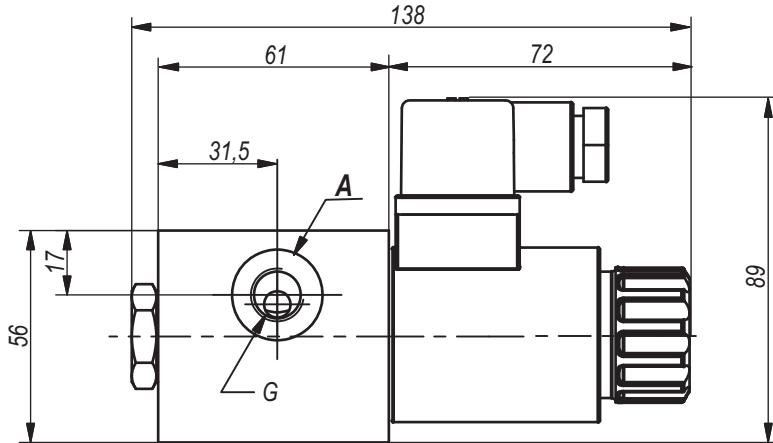
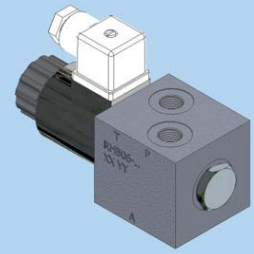


**Hidro
Pnevmo
Tehnika**

3, Vojeli St., Kazanlak, Bulgaria
Tel.: +359 431/ 62 228
e-mail : info@hpt-bg.com
www.hpt-bg.com

SOLENOID OPERATED DIRECTIONAL CONTROL VALVE

RHB06- .. / ... -2



Note:

1. All performances and calibration are carried out by using hydraulic oil with viscosity approx 46 cSt at 50 °C.
2. Tightening torque for the solenoid - 25 N.m.

TECHNICAL DATA		
General		
Ambient temperature	°C	-20...+50
Hydraulic		
Maximal pressure	bar	250
Maximal flow rate	L/min	30
Working fluid - mineral oil		
- viscosity	mm ² /s	10...100
- filtration level	µm	25 or better
- temperature	°C	-20...+80
Power supply		
Voltage	V DC	12 24
	V AC	110/50Hz 220/50Hz

ORDERING CODE

RHB06 - .. / 12 P - 2

Series

Type

Port threads "G" - code:
M14x1,5 - omit
G3/8" - 38

Operating voltage - code:
12V / 00Hz - 12
24V / 00Hz - 24
110V/50Hz - 110
220V/50Hz - 220

Version - code

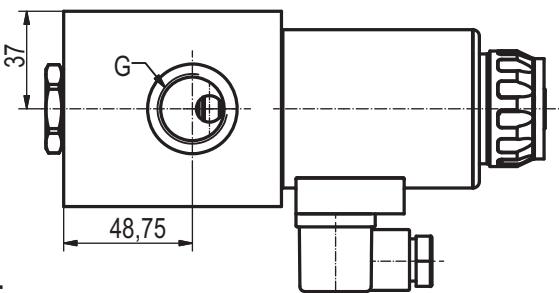
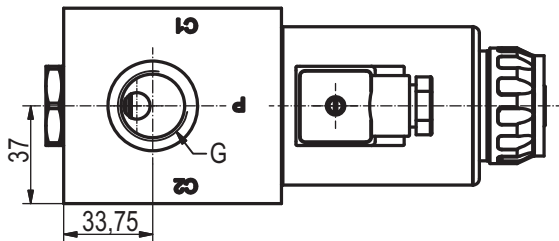
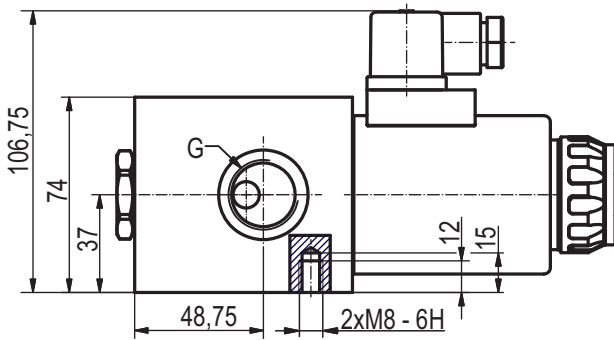
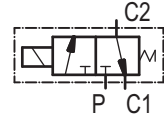
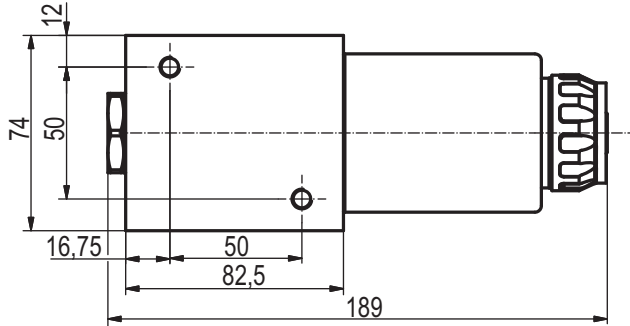


**Hidro
Pnevmo
Tehnika**

3, Vojeli St., Kazanlak, Bulgaria
Tel.: +359 431/ 62 228
e-mail : info@hpt-bg.com
www.hpt-bg.com

SOLENOID OPERATED DIRECTIONAL CONTROL VALVE

RHB10- .. / ...-2



Note:

1. All performances and calibration are carried out by using hydraulic oil with viscosity approx 46 cSt at 50 °C.
2. Tightening torque for the solenoid - 25 N.m.

TECHNICAL DATA		
General		
Ambient temperature	°C	-20...+50
Hydraulic		
Maximal pressure	bar	250
Maximal flow rate	L/min	100
Working fluid - mineral oil		
- viscosity	mm ² /s	10...100
- filtration level	µm	25 or better
- temperature	°C	-20...+80
Power supply		
Voltage	V DC	12 24
	V AC	110/50Hz 220/50Hz

ORDERING CODE

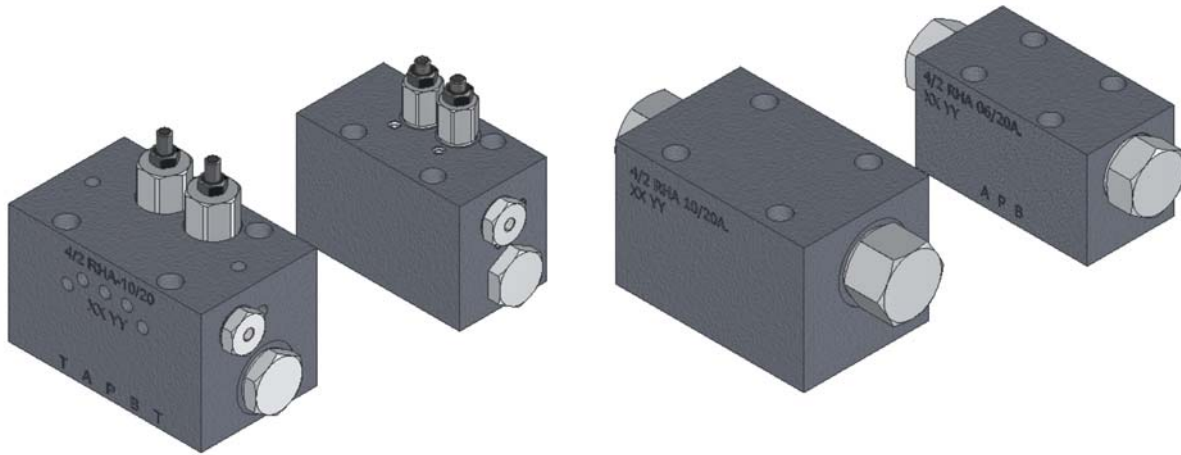
RHB10 - .. / 12 - 2

Series

Type

Port threads "G" - code:
G3/4" - omit

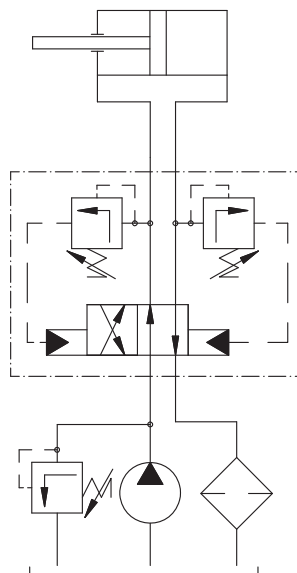
Operating voltage - code:
12V / 00Hz - 12
24V / 00Hz - 24
110V/50Hz - 110
220V/50Hz - 220



This type directional control valves are designed to control the motion of cylinders, assigning them a continuous oscillating movement. The motion switch takes place when the cylinder reaches the end of its stroke, without any sensor needed to report that. According to the mode of indication of this end position, two kinds of directional control valves are produced.

In the first type - 4/2RHA..-the switch is as a result of the pressure. At the end of the stroke the pressure peaks up to the value at which the safety valve of the system is adjusted. This results in the switch of the directional control valve and a reverse in the motion of the cylinder. The value of the pressure needed to switch to each direction can be adjusted by a separate valve. The adjustment must not exceed 90% of the adjustment of the safety valve of the system. The switch can also be performed at a random position of the cylinder, as far as the value of the pressure reaches the value of the adjustment needed to make the switch to the corresponding direction. The directional control valves of this type are mostly used in automated press machines, where a motion switch has to be done when reaching a predetermined stress force. They are not suitable for the reverse of the movement of massive parts, where in the course of their acceleration the pressure reaches the value at which the safety valve of the system is adjusted.

In the other type - 4/2RHA..A- after the cylinder comes to the end of its stroke, the flow stops to zero value, thus causing the directional control valve to switch. The motion switch here does not depend on the pressure. To the purpose of providing more reliable work of the directional control valve, its connection to the cylinder needs to be realized by hoses with minimum length of 1000 mm. In case of systems working at great cyclic pressure, the usage of cylinder with regulated buffer at the end of the stroke is recommended.



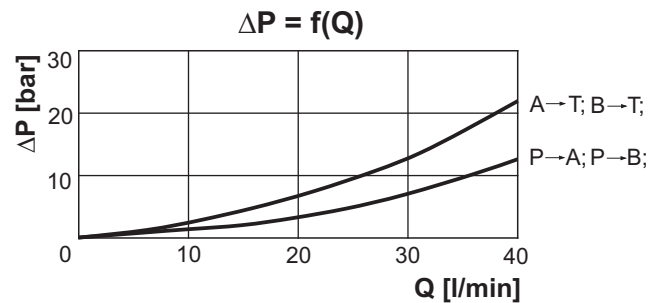
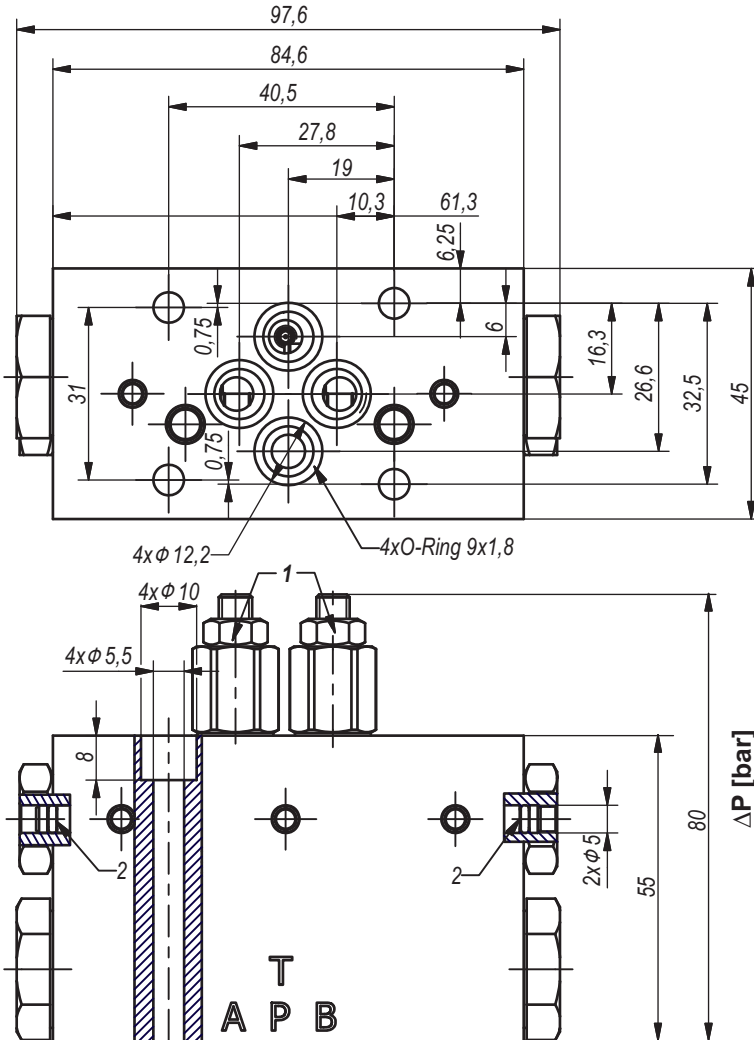
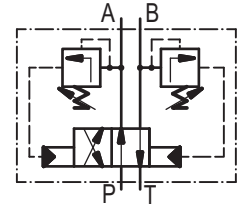
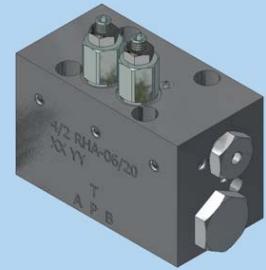


**Hidro
Pnevmo
Tehnika**

3, Vojeli St., Kazanlak, Bulgaria
Tel.: +359 431/ 62 228
e-mail : info@hpt-bg.com
www.hpt-bg.com

HYDRAULIC DIRECTIONAL CONTROL VALVES WITH AUTOMATIC SWITCHING

4/2 RHA06/20



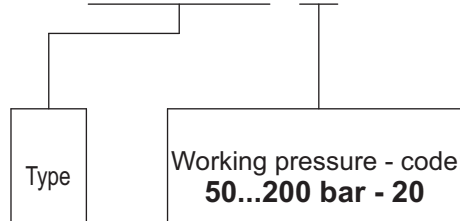
Note:

- All performances and calibration are carried out by using hydraulic oil with viscosity approx 46 cSt at 50 °C.
- Initial switching of the directional control valve
 - by push pins (position 2).
- Mounting plate:
 - acc. to ISO 4401-AB-03-4A (CETOP3)
- Tightening torque of the connecting screws on the mounting plate - 8,5 N.m.

TECHNICAL DATA		
General		
Ambient temperature	°C	-20...+50
Hydraulic		
Working pressure P_w	bar	50...200
Pressure adjustment of relief valves (position 1)	bar	$P_w + 10\%P_w$
Flow rate	L/min	3...40
Working fluid - mineral oil		
- viscosity	mm ² /s	10...100
- filtration level	μm	25 or better
- temperature	°C	-20...+80

ORDERING CODE

4/2 RHA06 / 20



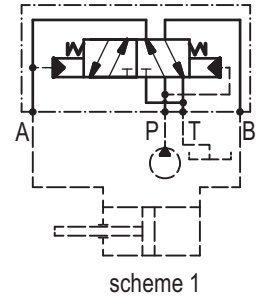
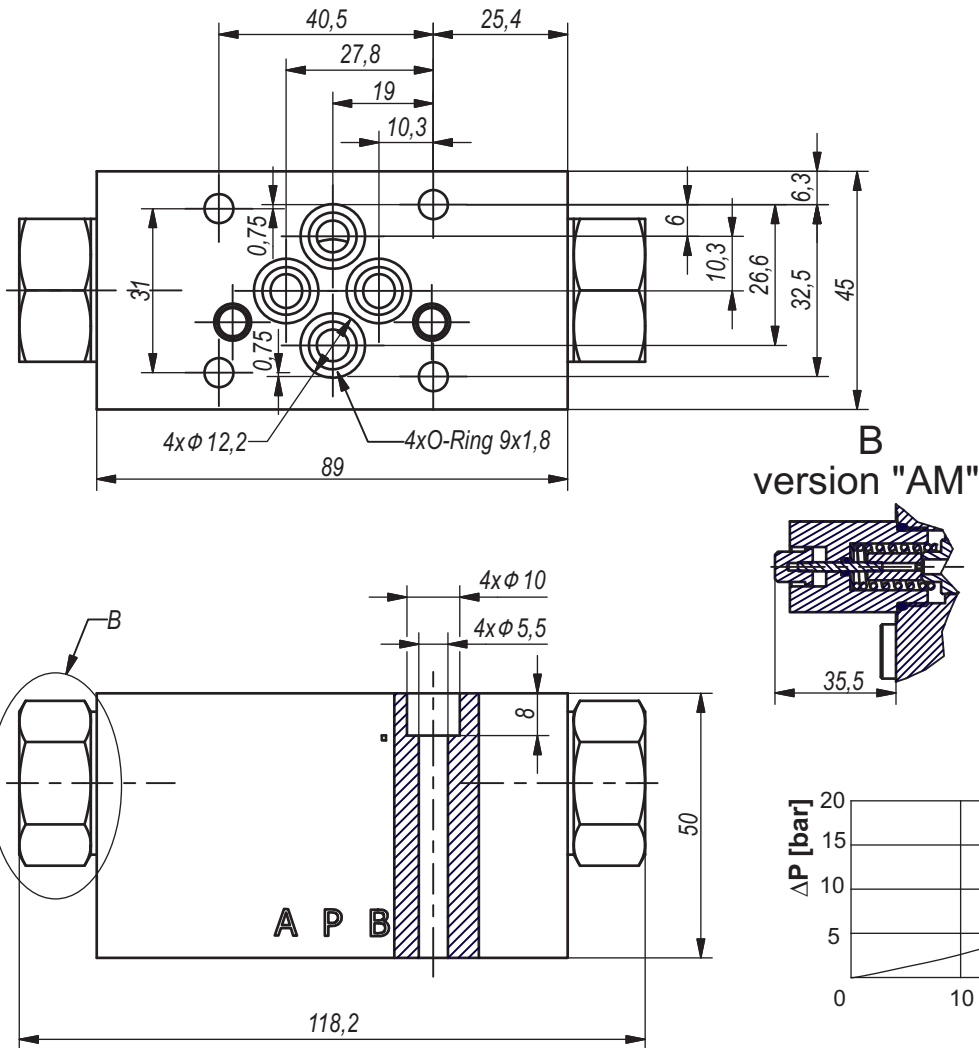
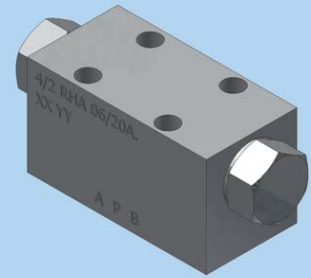


**Hidro
Pnevmo
Tehnika**

3, Vojeli St., Kazanlak, Bulgaria
Tel.: +359 431/ 62 228
e-mail : info@hpt-bg.com
www.hpt-bg.com

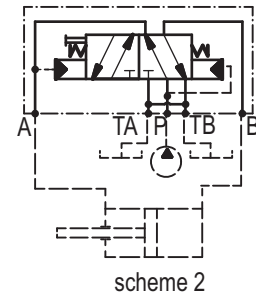
HYDRAULIC DIRECTIONAL CONTROL VALVES WITH AUTOMATIC SWITCHING

4/2 RHA06/20A



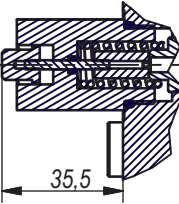
scheme 1

version "AM"

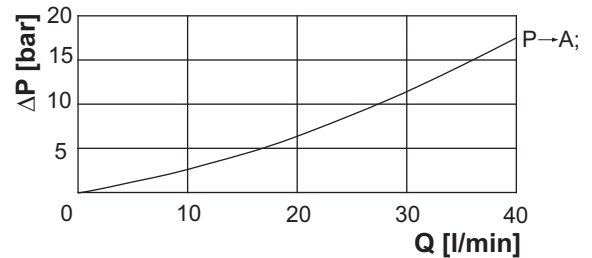


scheme 2

B
version "AM"



$$\Delta P = f(Q)$$



Note:

- All performances and calibration are carried out by using hydraulic oil with viscosity approx 46 cSt at 50 °C.
- Mounting plate:
 - acc. to ISO 4401-AB-03-4A (CETOP3)
- Tightening torque of the connecting screws on the mounting plate - 8,5 N.m.

TECHNICAL DATA

General		
Ambient temperature	°C	-20...+50
Hydraulic		
Working pressure	bar	20...200
Flow rate	L/min	3...30
Working fluid - mineral oil		
- viscosity	mm ² /s	10...100
- filtration level	µm	25 or better
- temperature	°C	-20...+80

ORDERING CODE

4/2 RHA06 / 20 A

Type

Working pressure - code:
50...200 bar - 20

Version - code:
scheme 1 - A
scheme 2 - AM

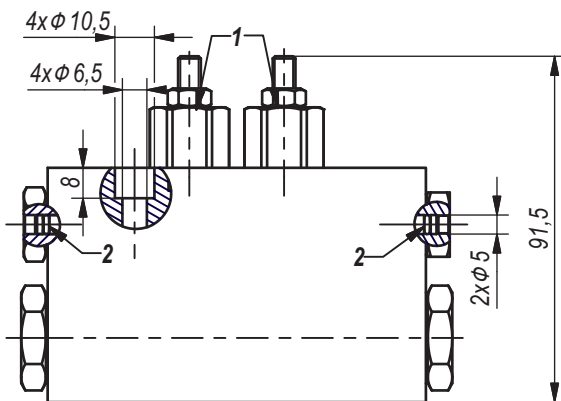
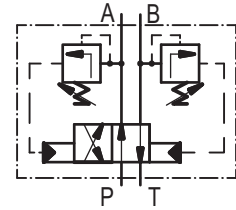
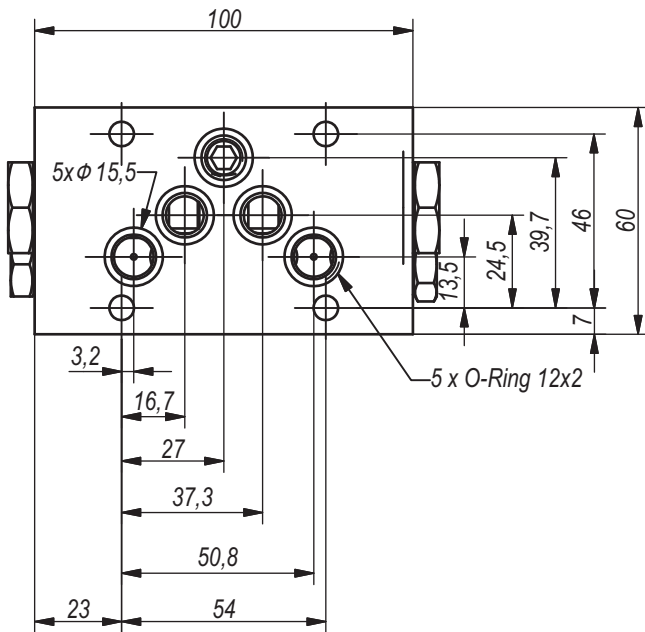
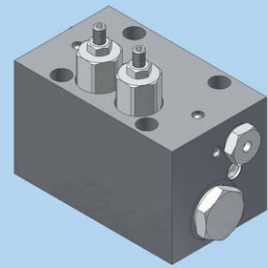


**Hidro
Pnevmo
Tehnika**

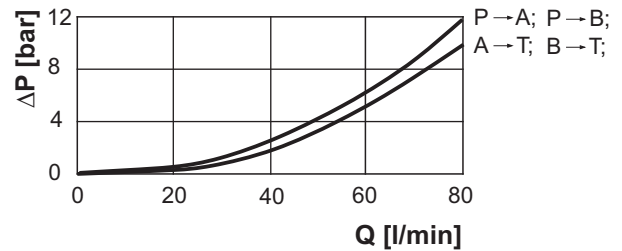
3, Vojeli St., Kazanlak, Bulgaria
Tel.: +359 431/ 62 228, 68 440
e-mail: info@hpt-bg.com
www.hpt-bg.com

HYDRAULIC DIRECTIONAL CONTROL VALVES WITH AUTOMATIC SWITCHING

4/2 RHA10/20



$\Delta P = f(Q)$



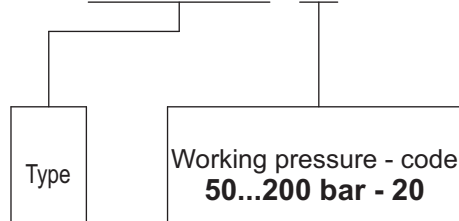
Note:

1. All performances and calibration are carried out by using hydraulic oil with viscosity approx 46 cSt at 50 °C.
2. Initial switching of the directional control valve
 - by push pins (position 2).
3. Mounting plate:
 - acc. to ISO 4401-AB-05-4A (CETOP5)
4. Tightening torque of the connecting screws on the mounting plate - 14 N.m.

TECHNICAL DATA		
General		
Ambient temperature	°C	-20...+50
Hydraulic		
Working pressure P_w	bar	50...200
Pressure adjustment of relief valves (position 1)	bar	$P_w + 10\%P_w$
Flow rate	L/min	5...80
Working fluid - mineral oil		
- viscosity	mm ² /s	10...100
- filtration level	µm	25 or better
- temperature	°C	-20...+80

ORDERING CODE

4/2 RHA10 / 20



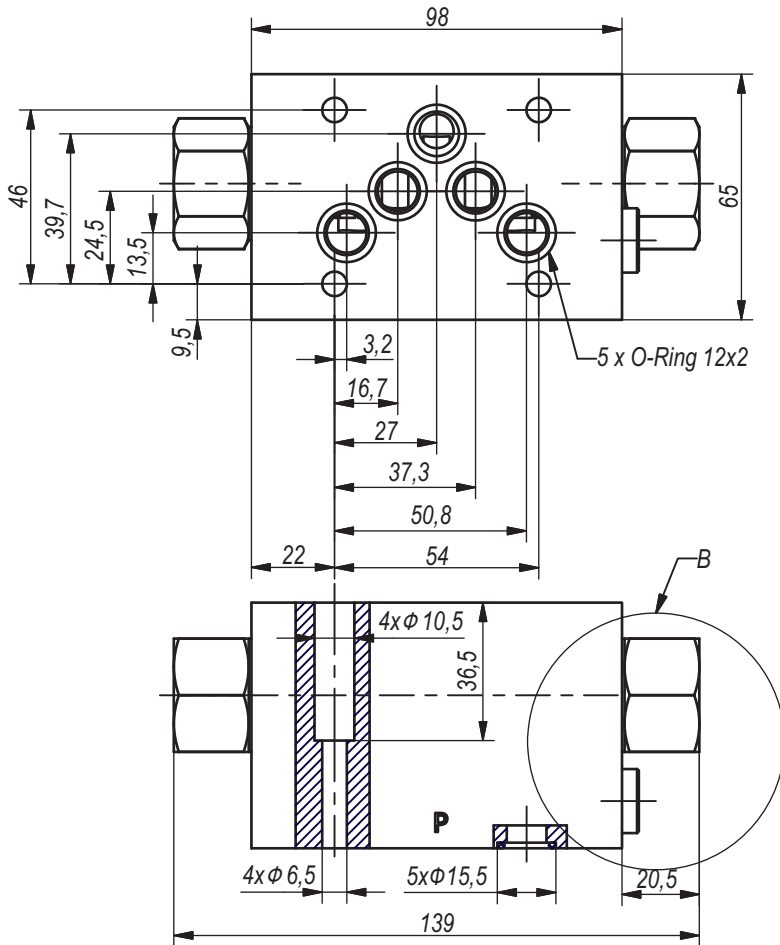
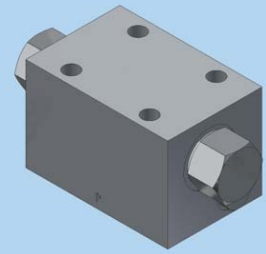


**Hidro
Pnevmo
Tehnika**

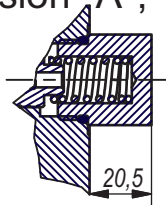
3, Vojeli St., Kazanlak, Bulgaria
Tel.: +359 431/ 62 228, 68 440
e-mail: info@hpt-bg.com
www.hpt-bg.com

HYDRAULIC DIRECTIONAL CONTROL VALVES WITH AUTOMATIC SWITCHING

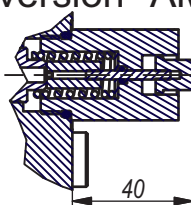
4/2 RHA10/20A.



B
version "A"; "AT"

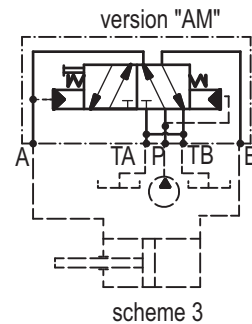
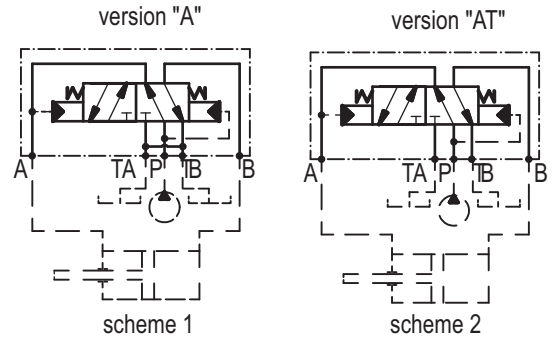


B
version "AM"

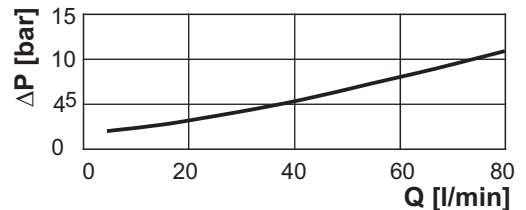


Note:

1. All performances and calibration are carried out by using hydraulic oil with viscosity approx 46 cSt at 50 °C.
2. Mounting plate:
- acc. to ISO 4401-AB-05-4A (CETOP5)
3. Tightening torque of the connecting screws on the mounting plate - 14 N.m.



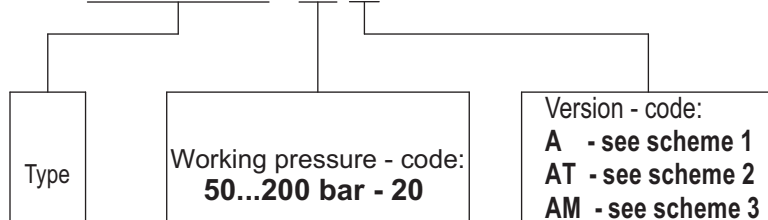
$\Delta P = f(Q)$



TECHNICAL DATA		
General		
Ambient temperature	°C	-20...+50
Hydraulic		
Working pressure	bar	20...200
Flow rate	L/min	3...80
Working fluid - mineral oil		
- viscosity	mm ² /s	10...100
- filtration level	μm	25 or better
- temperature	°C	-20...+80

ORDERING CODE

4/2 RHA10 / 20 A



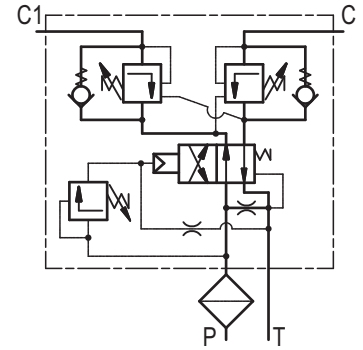
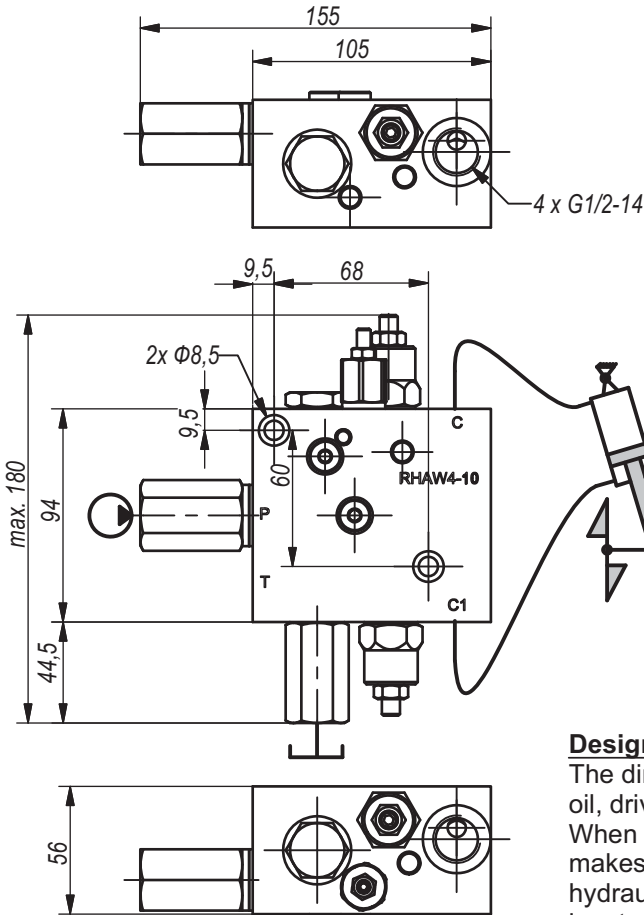
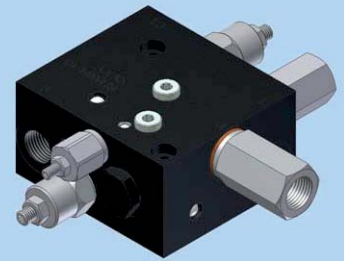


**Hidro
Pnevmo
Tehnika**

3, Vojeli St., Kazanlak, Bulgaria
Tel.: +359 431/ 62 228, 68 440
e-mail: info@hpt-bg.com
www.hpt-bg.com

HYDRAULIC DIRECTIONAL CONTROL VALVE WITH AUTOMATIC SWITCHING

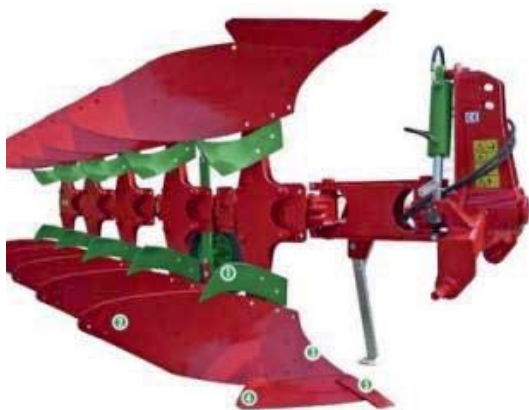
RHAW4-10



Designation and function:

The directional control valve is designed to control the flow of the oil, driving the hydraulic cylinder for turning a tractor-driven plough. When a flow is supplied to the port P of the block, the cylinder makes one full cycle of retraction and extension and keeps hydraulically locked, despite the fact that there is pressure at the input port. It is necessary to wait for 3-4 seconds after the supply of the flow stops, till the next action, in order to restore the position of the switching spool in the directional control valve. On the next flow supply the cycle repeats itself.

Note: All performances and calibration are carried out by using hydraulic oil with viscosity approx 46 cSt at 50 °C



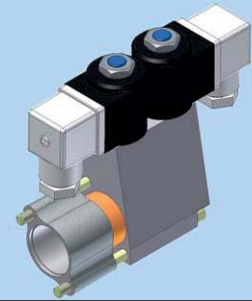
TECHNICAL DATA

General		
Ambient temperature	°C	-20...+50
Hydraulic		
Maximal pressure	bar	200
Supply flow range	L/min	10...50
Control range of the switching pressure	bar	50...200
Adj. pressure range overcenter valve (pos. 1)	bar	100...250
Working fluid - mineral oil		
- viscosity	mm ² /s	10...100
- filtration level	µm	25 or better
- temperature	°C	-20...+80

ORDERING CODE

RHAW4-10

Type



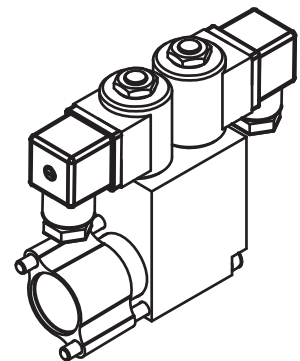
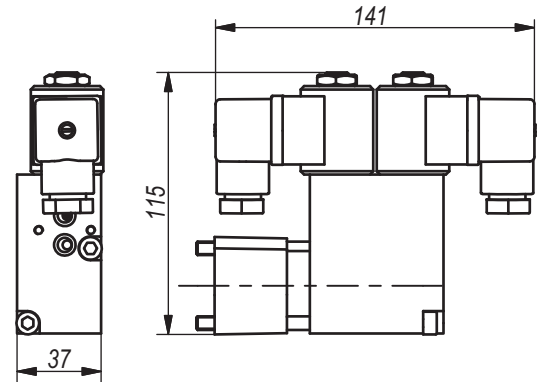
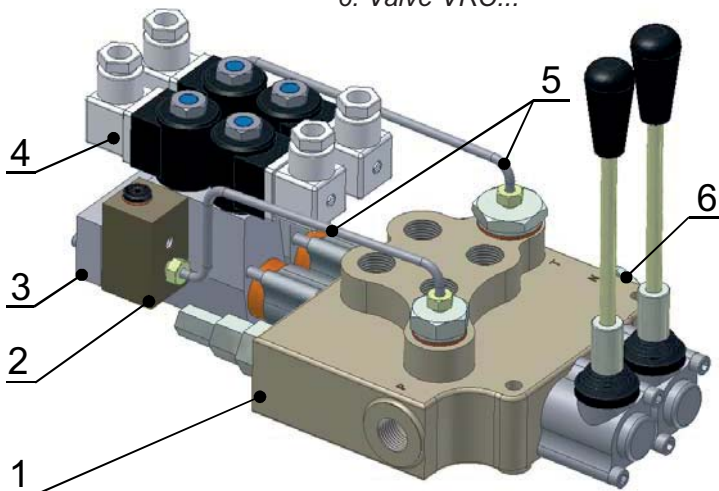
The electro-hydraulic operating unit **EHO...** is designed for coupling to manually operated, hydraulic directional control valves of the **P40, P70, P80, P100** and **P120** types, which are produced by the Bulgarian company **BADESHTNOST AD**, as an additional option for electric operation. It can be mounted on a monoblock or sectional implementation, with no limit to the number of the sections. It is fixed by two screws M6 at the place of the decorative cap, closing the spring package of the section. The existing screw, which holds the spring, is removed and the connector of the unit is screwed on its place. The hydraulic inlets and outlets of all the sections are joined together by a collector, which is fixed by two screws to each section.

The oil supply can be realized in two ways:

- from external source with pressure between 10 to 20 bar;
- from the flow which supplies the directional control valve. For that purpose, some flow is directed from one of the inlets **P**, by a pipe and a nipple to a reducing valve, mounted on the collector and providing the necessary supply pressure. The outlet line is connected to the free outlet **T** of the directional control valve by a special transient nipple. The connections are made by $\varnothing 8$ steel tubes. To provide minimum pressure of 10 bar in the case of non-operating (unloaded) directional control valve, a back pressure valve **VRC...** is mounted in the seat **N**, designed to maintain the minimum pressure during the running of the flow.

The electro-hydraulic operating unit is shown below, mounted on a double monoblock directional control valve **P80** with own supply.

1. Directional control valve 2R80...
2. Reducing valve
3. Collector
4. Operating units EHO...
5. Supplying tubes
6. Valve VRC...



Technical characteristics of EHO.R.-..

Supply pressure	bar	min.10 max.20
Maximum pressure in the outlet line of the directional control valve	bar	20
Supply voltage	V	12, 24 VDC; 220 VAC
Consumption per 1 solenoid	W	18
Type of the basic directional control valve		P40; P80

ORDERING CODE

EHO 2 R80 - 12

