

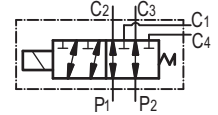
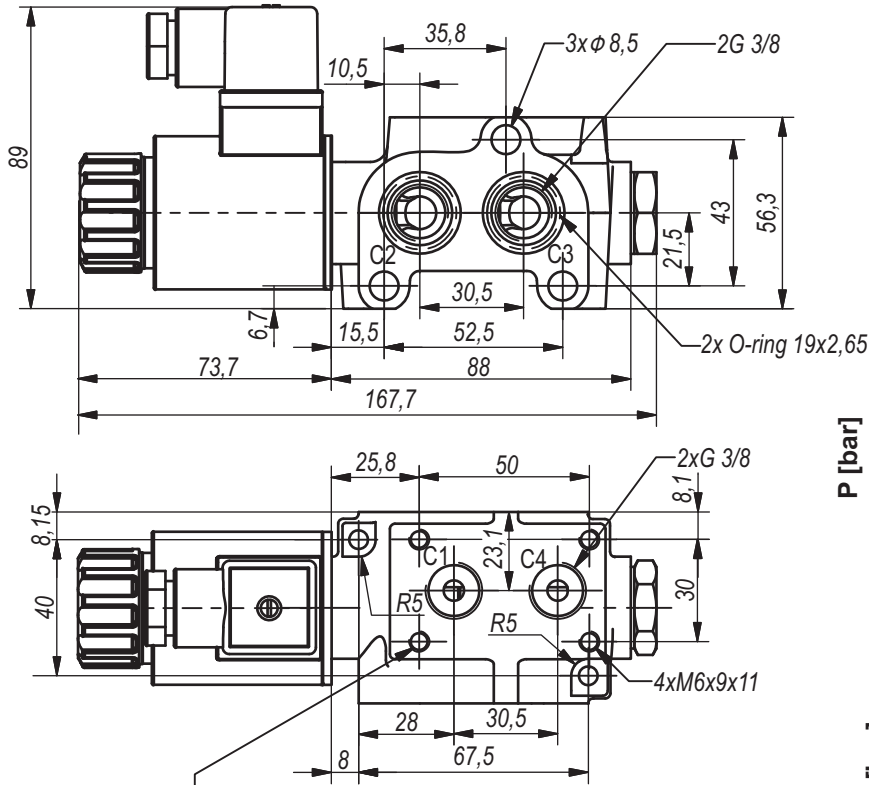
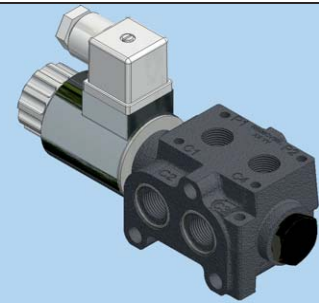


**Hidro  
Pnevmo  
Tehnika**

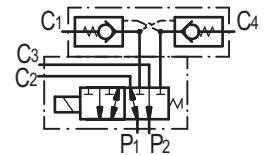
3, Vojeli St., Kazanlak, Bulgaria  
Tel.: +359 431/ 62 228, 68 440  
e-mail: info@hpt-bg.com  
www.hpt-bg.com

## SOLENOID OPERATED DIRECTIONAL CONTROL VALVE

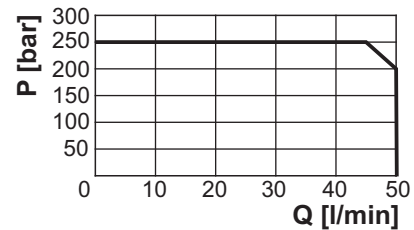
**. RS06C ... / ..-2**



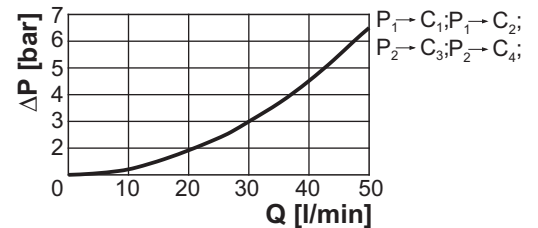
Hydraulic scheme 1



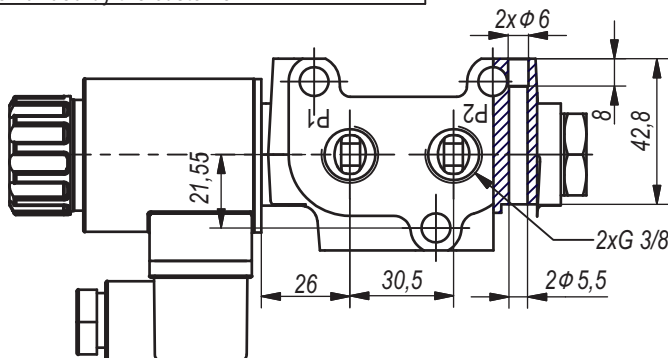
### Operating limit



### $\Delta P = f(Q)$



A VBD-R-38 valve is possible to be mounted to the four holes with thread M6 (see p.5.5 of chapter 5), according to the hydraulic scheme 1. The VBD-R-38 valve is mounted only if that has been demanded by the customer.



#### Note:

- All performances and calibration are carried out by using hydraulic oil with viscosity approx 46 cSt at 50 °C.
- Tightening torque for solenoid - 25 N.m.

TECHNICAL DATA		
General		
Ambient temperature	°C	-20...+50
Hydraulic		
Maximal pressure	bar	250
Maximal flow rate	L/min	50
Working fluid - mineral oil		
- viscosity	mm <sup>2</sup> /s	10...100
- filtration level	mm	25 or better
- temperature	°C	-20...+80
Power supply		
Voltage	V DC	12 24

## ORDERING CODE

**RS06C V 38 / 12**

Number of sections: **1...8**  
One section: **Omit**  
/for 2...8 sections see page 1.4/

Type

Version- code:  
Interface for mounting of  
VBD-R-38 - **V**  
No interface for mounting of  
VBD-R-38 - **Omit**

Port threads "G" - code:  
**G3/8" - 38**

Operating voltage - code:  
**12V / 00Hz - 12**  
**24V / 00Hz - 24**  
**110V/50Hz - 110**  
**220V/50Hz - 220**