

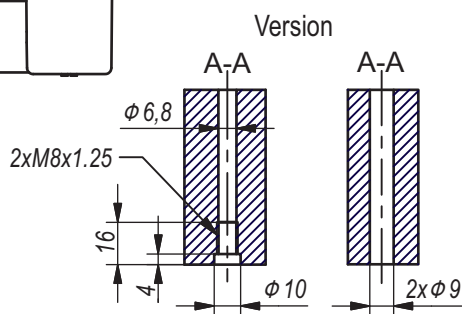
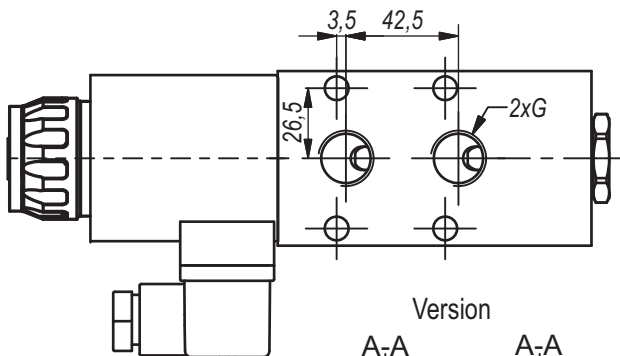
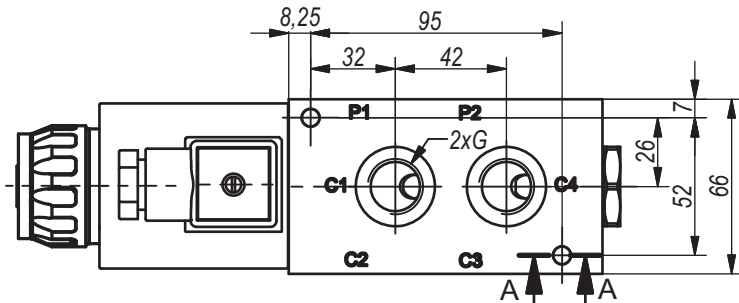
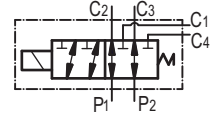
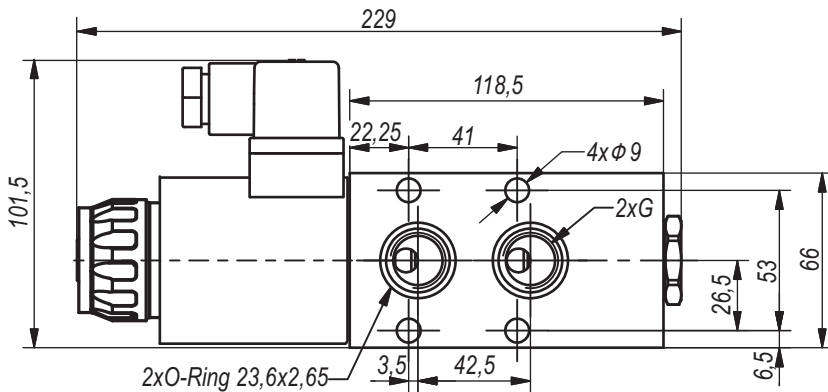
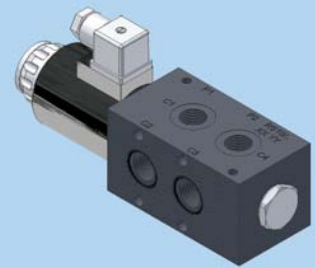


**Hidro
Pnevmo
Tehnika**

3, Vojeli St., Kazanlak, Bulgaria
Tel.: +359 431/ 62 228
e-mail: info@hpt-bg.com
www.hpt-bg.com

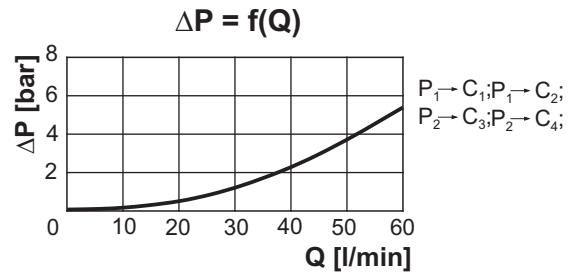
SOLENOID OPERATED DIRECTIONAL CONTROL VALVE

. RS10 .. / ..



Note:

- All performances and calibration are carried out by using hydraulic oil with viscosity approx 46 cSt at 50 °C.
- Tightening torque for the solenoid - 30 N.m.



TECHNICAL DATA		
General		
Ambient temperature	°C	-20...+50
Hydraulic		
Maximal pressure	bar	250
Maximal flow rate	L/min	60
Working fluid - mineral oil		
- viscosity	mm ² /s	10...100
- filtration level	mm	25 or better
- temperature	°C	-20...+80
Power supply		
Voltage	V DC	12 24
	V AC	110/50Hz 220/50Hz

ORDERING CODE

RS10 .. / 12

Number of sections: 1...4 One section: Omit (for 2...4 sections see page 1.9)	Type	Port threads "G" - code G1/2" - omit	Operating voltage - code: 12V / 00Hz - 12 24V / 00Hz - 24 110V/50Hz - 110 220V/50Hz - 220	Version - code: 2xM8 - omit 2xφ9 - B
---	------	--	---	--