

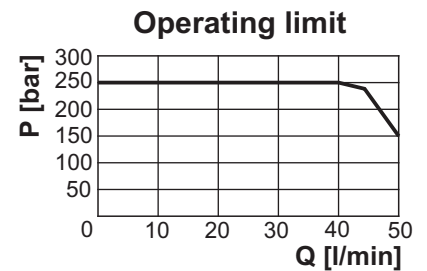
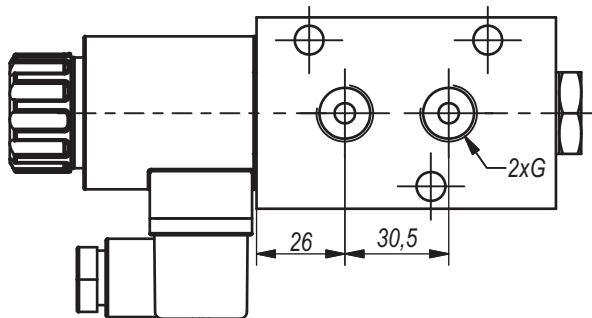
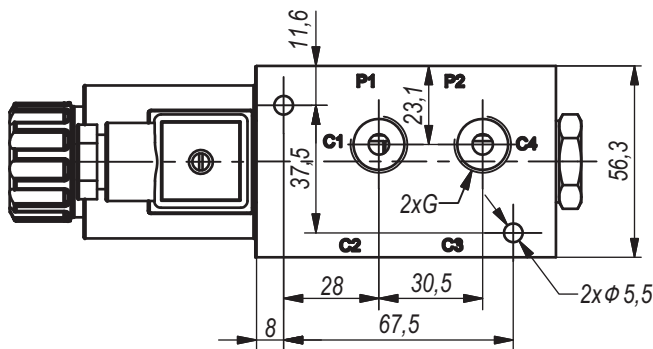
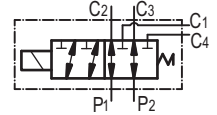
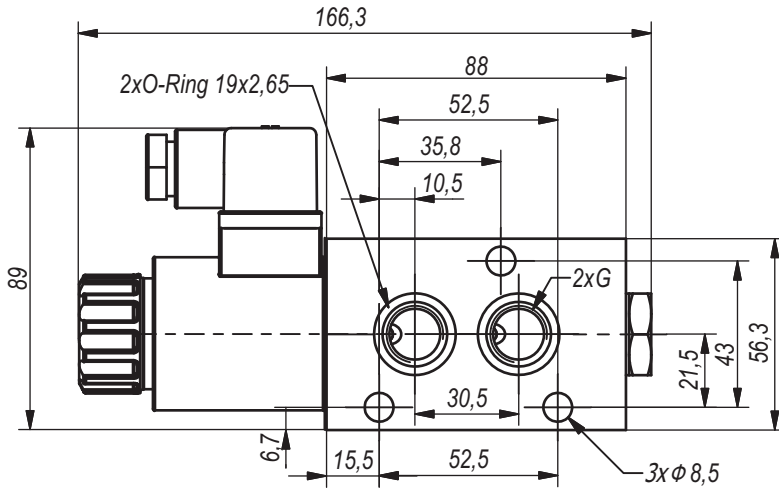
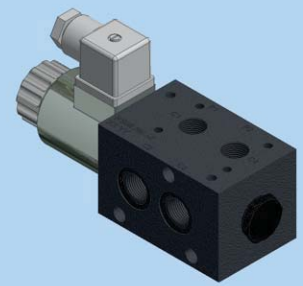


**Hidro
Pnevmo
Tehnika**

3, Vojeli St., Kazanlak, Bulgaria
Tel.: +359 431/ 62 228, 68 440
e-mail : info@hpt-bg.com
www.hpt-bg.com

SOLENOID OPERATED DIRECTIONAL CONTROL VALVE

RS06 ... / ..-2



Internal leakage - 20 cm³/min
mineral oil with 46 cSt viscosity
and at 100 bar pressure

TECHNICAL DATA

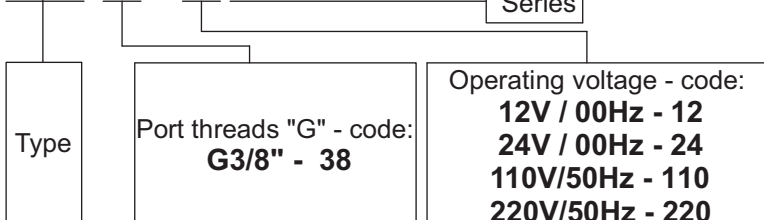
General		
Ambient temperature	°C	-20...+50
Hydraulic		
Maximal pressure	bar	250
Maximal flow rate	L/min	50
Working fluid - mineral oil		
- viscosity	mm ² /s	10...100
- filtration level	µm	25 or better
- temperature	°C	-20...+80
Power supply		
Voltage	V DC	12±5%
		24±5%

Note:

- All performances and calibration are carried out by using hydraulic oil with viscosity approx 46 cSt at 50 °C.
- Tightening torque for the solenoid - 25 N.m.

ORDERING CODE

RS06 38 / 12-2



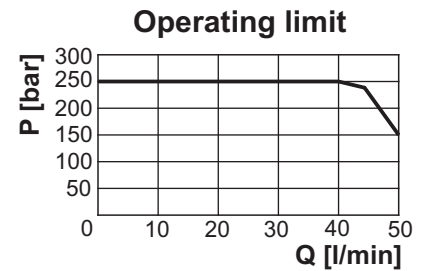
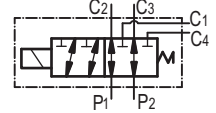
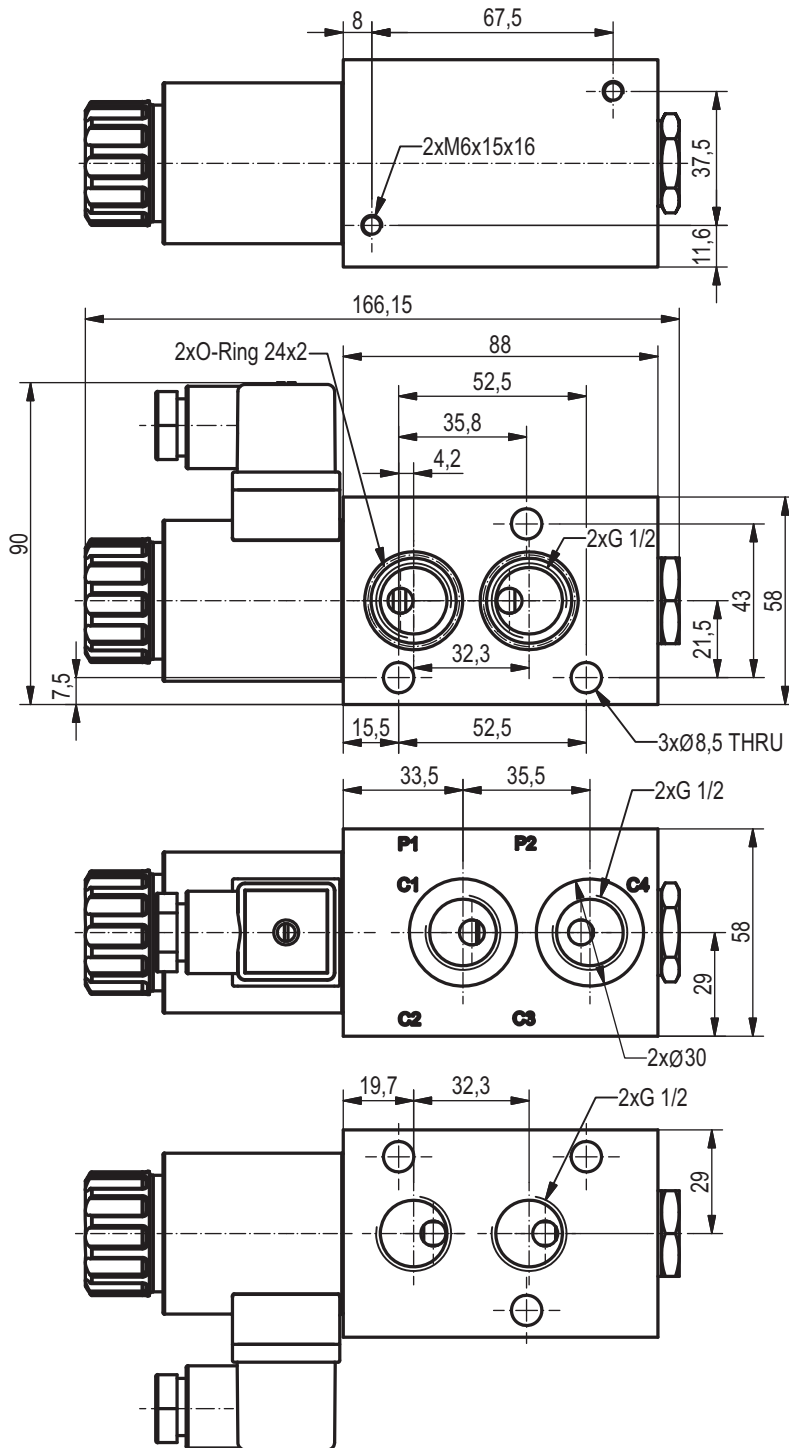
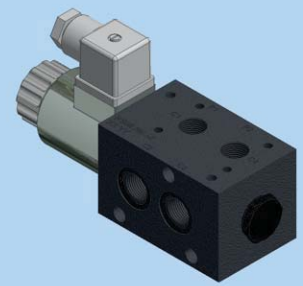


**Hidro
Pnevmo
Tehnika**

3, Vojeli St., Kazanlak, Bulgaria
Tel.: +359 431/ 62 228, 68 440
e-mail: info@hpt-bg.com
www.hpt-bg.com

SOLENOID OPERATED DIRECTIONAL CONTROL VALVE

RS06 ... / ...-2



Internal leakage - 20 cm³/min
mineral oil with 46 cSt viscosity
and at 100 bar pressure

Note:

- All performances and calibration are carried out by using hydraulic oil with viscosity approx 46 cSt at 50 °C.
- Tightening torque for the solenoid - 25 N.m.

TECHNICAL DATA		
General		
Ambient temperature	°C	-20...+50
Hydraulic		
Maximal pressure	bar	250
Maximal flow rate	L/min	50
Working fluid - mineral oil		
- viscosity	mm ² /s	10...100
- filtration level	µm	25 or better
- temperature	°C	-20...+80
Power supply		
Voltage	V DC	12±5%
		24±5%

ORDERING CODE

RS06 12 / 12-2

