

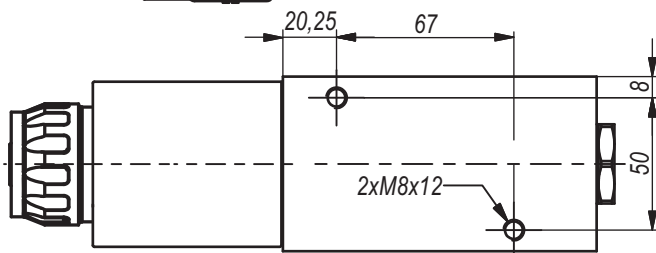
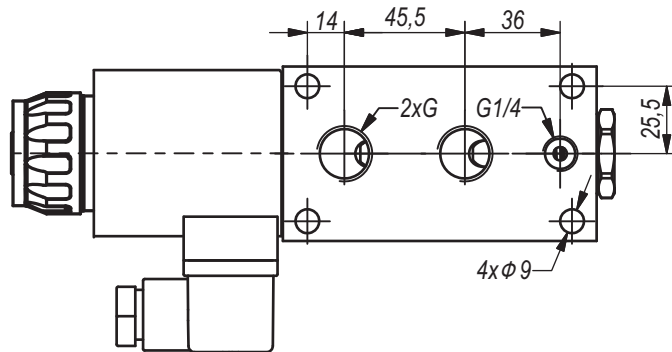
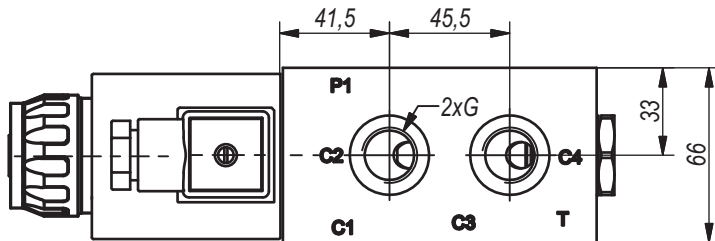
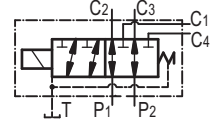
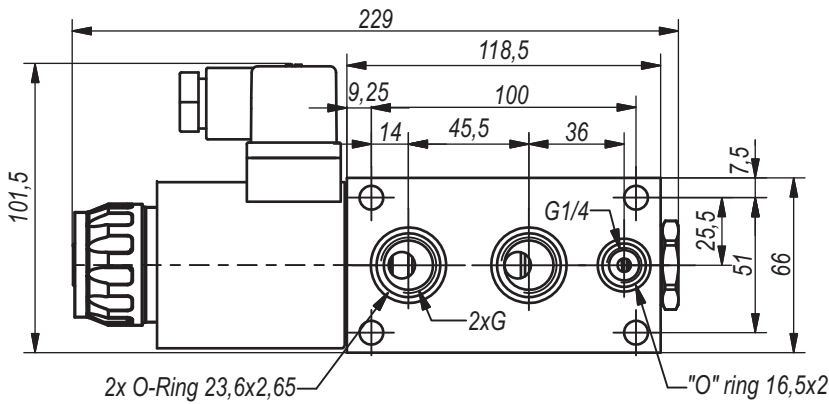
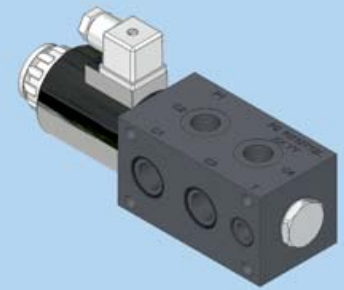


**Hidro
Pnevmo
Tehnika**

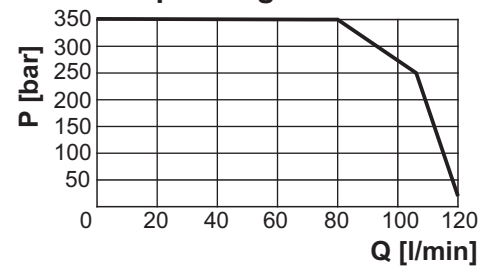
3, Vojeli St., Kazanlak, Bulgaria
Tel.: +359 431/ 62 228
e-mail : info@hpt-bg.com
www.hpt-bg.com

SOLENOID OPERATED DIRECTIONAL CONTROL VALVE

. RS10T .. / ..-2



Operating limit



Internal leakage - 30 cm³/min
mineral oil with 46 cSt viscosity
and at 100 bar pressure

Note:

- All performances and calibration are carried out by using hydraulic oil with viscosity approx 46 cSt at 50 °C.
- Tightening torque for the solenoid - 30 N.m.

TECHNICAL DATA

General		
Ambient temperature	°C	-20...+50
Hydraulic		
Maximal pressure	bar	350
Maximal pressure port "T"	bar	200
Maximal flow rate	L/min	100
Working fluid - mineral oil		
- viscosity	mm ² /s	10...100
- filtration level	µm	25 or better
- temperature	°C	-20...+80
Power supply		
Voltage	V DC	12±5% 24±5%
	V AC	110/50Hz 220/50Hz

ORDERING CODE

. RS10T 12 / 12 - 2 Series

Number of sections: 2...4 One section: Omit	Type	Port threads "G" - code G1/2" - 12	Operating voltage - code: 12V / 00Hz - 12 24V / 00Hz - 24 110V/50Hz - 110 220V/50Hz - 220
--	------	--	---