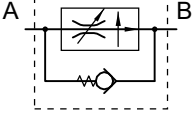

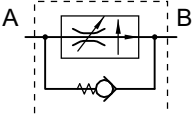

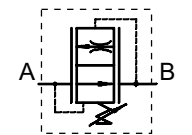

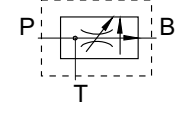

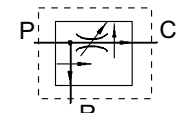

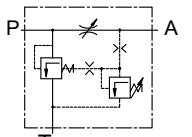
 <p>Page 3.1</p>	RD2 .. 
 <p>Page 3.2</p>	RD2- .. N 
 <p>Page 3.3</p>	SB 
 <p>Page 3.4</p>	VRF C3/.. 
 <p>Page 3.5</p>	VRF C3C/.. 
 <p>Page 3.6</p>	VRF C3V/VS.. 

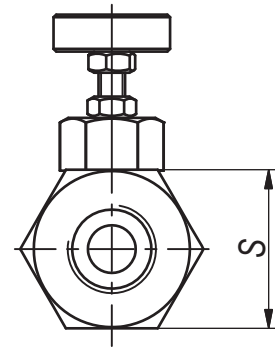
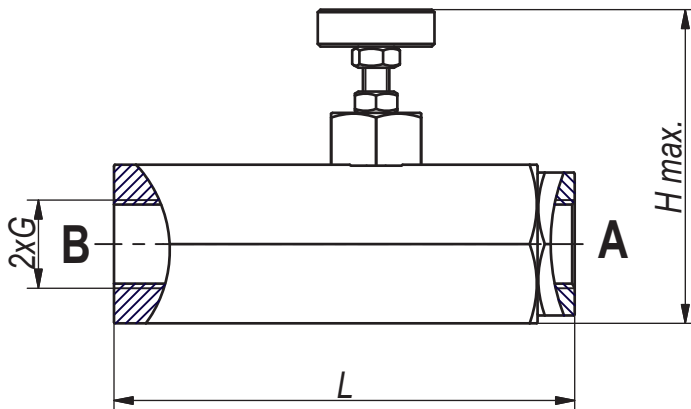
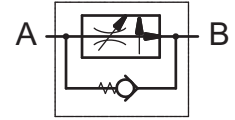
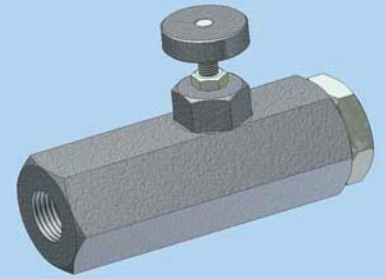


**Hidro
Pnevmo
Tehnika**

3, Vojeli St., Kazanlak, Bulgaria
Tel.: +359 431/ 62 228, 68 440
e-mail : info@hpt-bg.com
www.hpt-bg.com

FLOW CONTROL VALVE

RD2 ..



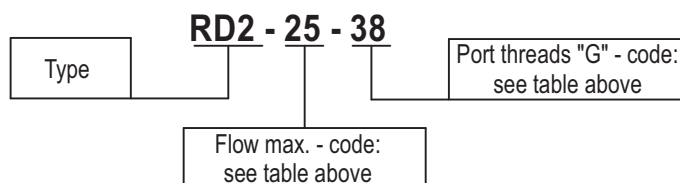
Type	P _{max.} bar	Q _{max.} L/min	Q _{min.} L/min	L mm	H mm	G	S mm
RD2-10	250	10	1	83	54	G1/4	30
RD2-25		25	1,5	87	60	M18x1,5	30
RD2-25-38		25	1,5	87	60	G3/8	30
RD2-40		40	1,5	87	70	G3/8	36
RD2-40-12		40	1,5	101	70	G1/2	32

All performances and calibration are carried out by using hydraulic oil with viscosity approx. 46 cSt at 50°C .

Temperature range: -20°C...+80°C

Filtration absolute: 15 µm

ORDERING CODE



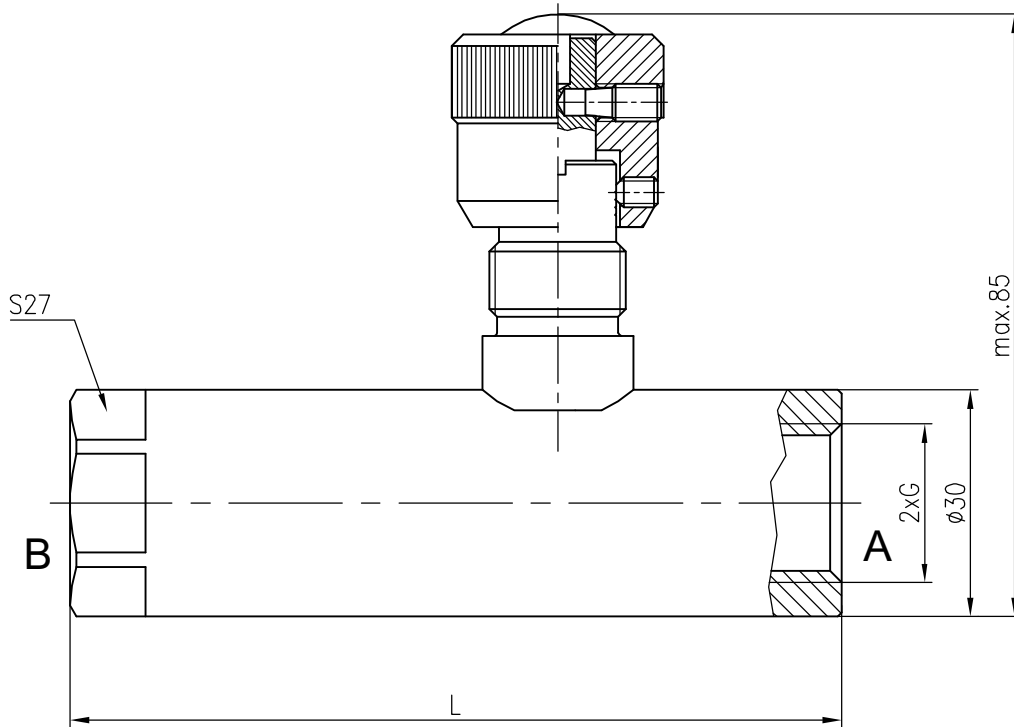
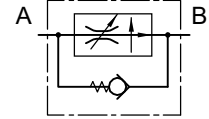


**Hidro
Pnevmo
Tehnika**

3, Vojeli St., Kazanlak, Bulgaria
Tel.: +359 431/ 62 228, 68 440
e-mail : info@hpt-bg.com
www.hpt-bg.com

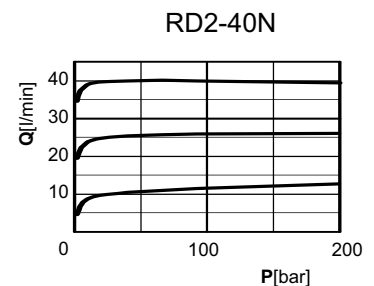
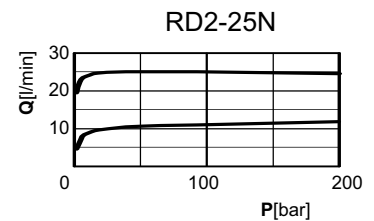
FLOW CONTROL VALVE

RD2 - .. N

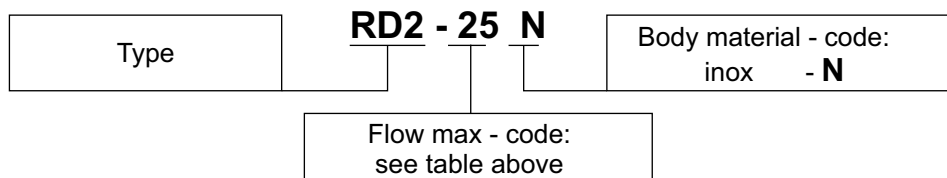


Type	Q_{max}	$Q_{min.}$	$P_{max.}$	L	G
	L/min	L/min			
RD2-25N	25	2	200	92	G3/ 8"
RD2-40N	40	3		102	G1/ 2"

All performances and calibration are carried out by using hydraulic oil with viscosity approx. 46 cSt at 50 °C .
Temperature range: -20 °C...+80 °C.
Filtration absolute: 25 µm



ORDERING CODE





**Hidro
Pnevmo
Tehnika**

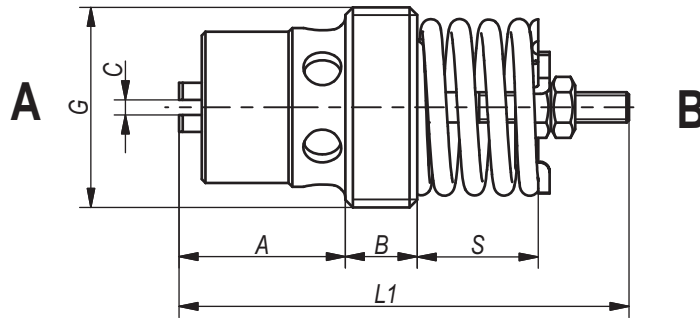
3, Vojeli St., Kazanlak, Bulgaria
Tel.: +359 431/ 62 228, 68 440
e-mail : info@hpt-bg.com
www.hpt-bg.com

ADJUSTABLE FLOW-LIMITING VALVE

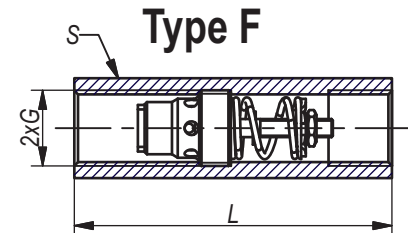
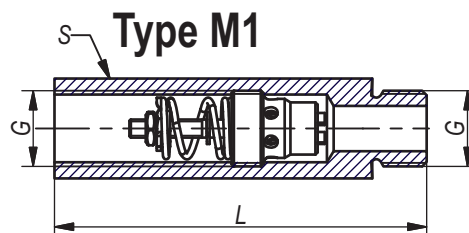
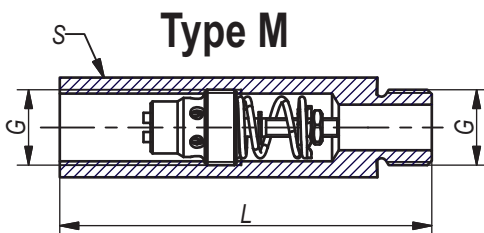
SB



Type C



Type	Flow rate range	Setting range for S	Working pressure range	L1	A	B	C	G
	L/min.							
SB 11 C	2,5...4	9,5...14,5	15...320	43	13,5	7	1,2	G3/8
SB 13 C	4...6,3							
SB 15 C	6,3...10							
SB 17 C	10...16							
SB 19 C	16...25							
SB 21 C	16...21	13...18,5		49	16	8	2	G1/2
SB 23 C	21...28							
SB 25 C	28...37							
SB 27 C	37...50							
SB 29 C	50...67							
SB 31 C	37...50	16...22	61	21	10	2	G3/4	
SB 33 C	50...67							
SB 35 C	67...90							
SB 37 C	90...120							
SB 39 C	120...150							



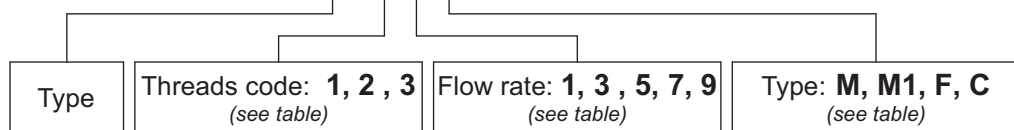
Type	G	L	S
		mm	mm
SB ... M(M1)	G3/8	82	22
SB ... M(M1)	G1/2	96	27
SB ... M(M1)	G3/4	106	36

Type	G	L	S
		mm	mm
SB ... F	G3/8	70	22
SB ... F	G1/2	80	27
SB ... F	G3/4	100	36

All performances and calibration are carried out by using hydraulic oil with viscosity approx. 46 cSt at 50°C
Temperature range: -20...+80°C
Filtration absolute: 25 μm

ORDERING CODE

SB 1 1 C



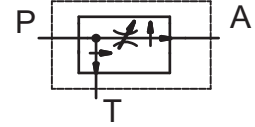


**Hidro
Pnevmo
Tehnika**

3, Vojeli St., Kazanlak, Bulgaria
Tel.: +359 431/ 62 228, 68 440
e-mail : info@hpt-bg.com
www.hpt-bg.com

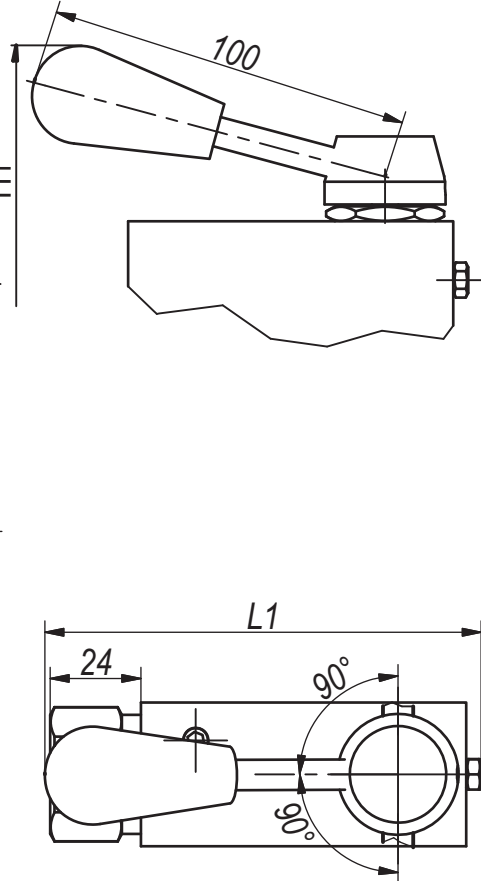
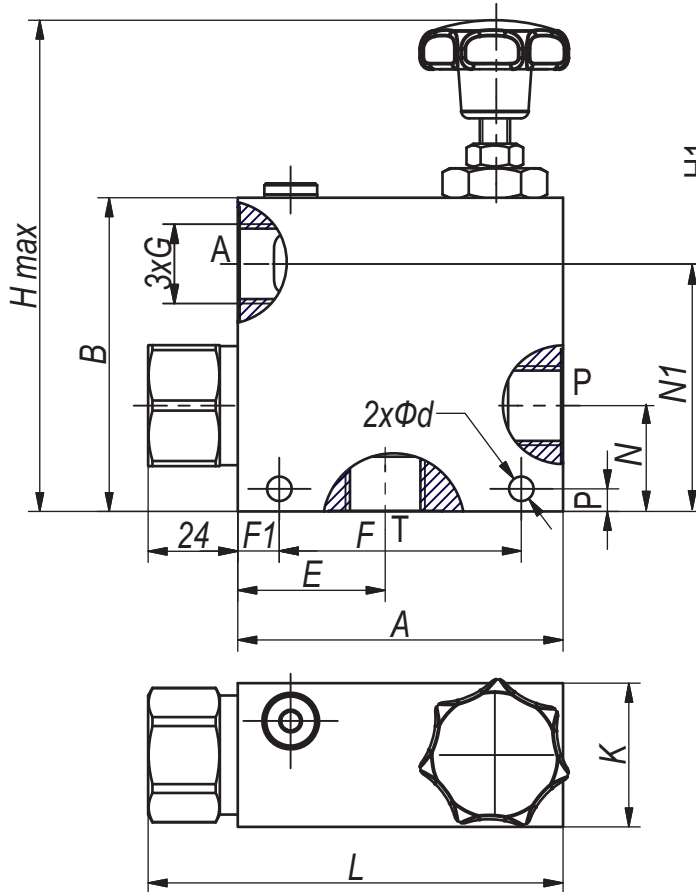
**FLOW CONTROL VALVE
THREE-WAY**

VRF C3/./..



VRF C3/V/..

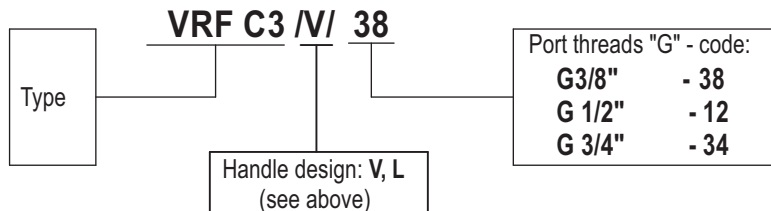
VRF C3/L/..



Type	P _{max.}	Q _{min.}	Q _{max.} [L/min]		G	A	B	E	F	F1	N	N1	P	K	H	H1	L	L1	d
	bar	L/min	At port P	At port A		mm	mm	mm	mm	mm	mm	mm	mm	mm	mm	mm	mm	mm	mm
VRF C3/./38	250	2	50	30	G3/8"	86	83	39	64	11	28	65,5	6	38	120	129	110	115	6,5
VRF C3/./12			80	50	G1/2"														
VRF C3/V/34			91	110	39	75	8	34	87,5	7	50	158	-	115	-	129			
VRF C3/L/34			95														10	35	-

All performances and calibration are carried out by using hydraulic oil with viscosity approx. 46 cSt at 50°C .
Temperature range: -20°C...+80°C
Filtration absolute: 25 µm

ORDERING CODE



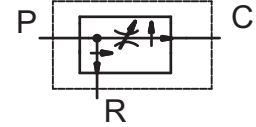
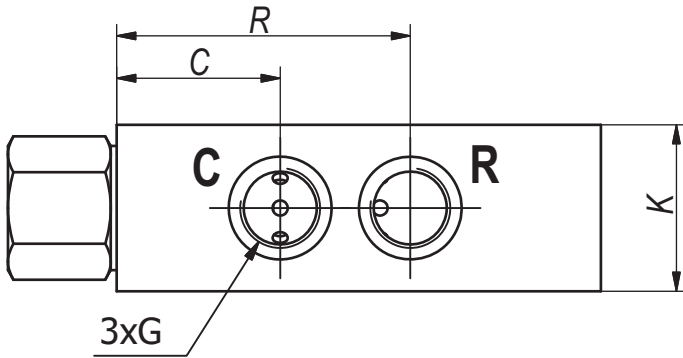


**Hidro
Pnevmo
Tehnika**

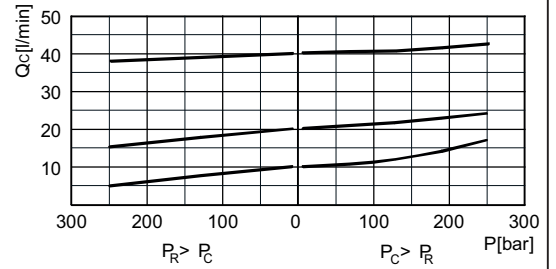
3, Vojeli St., Kazanlak, Bulgaria
Tel.: +359 431/ 62 228, 68 440
e-mail: info@hpt-bg.com
www.hpt-bg.com

**FLOW CONTROL VALVE
THREE-WAY**

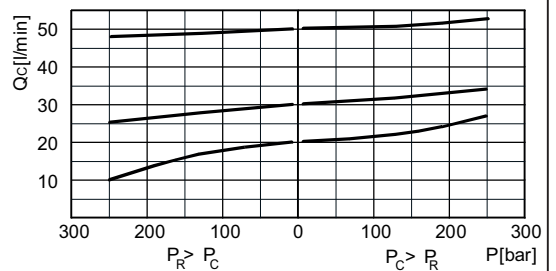
VRF C3C/V/..



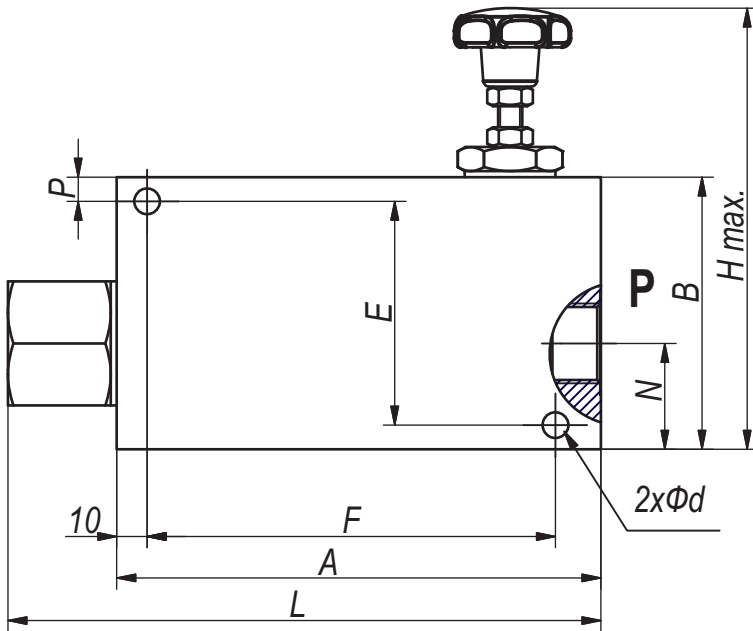
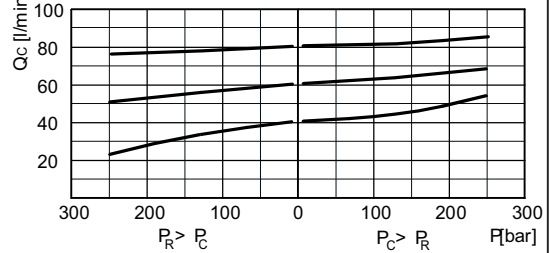
VRF C3C/V/38



VRF C3C/V/12



VRF C3C/V/34



Type	P _{max} bar	Q _{min} L/min	Q _{max} [L/min.]		G	A mm	B mm	C mm	E mm	F mm	P mm	K mm	N mm	R mm	H mm	L mm	d mm
			At port P	At port C													
VRF C3C/V/38	250	2	60	40	G3/8"	134	70	45	58	114	6	40	28	82	122	171	6,5
VRF C3C/V/12			90	50	G1/2"												
VRF C3C/V/34			165	90	G3/4"												

All performances and calibration are carried out by using hydraulic oil with viscosity approx. 46 cSt at 50°C.
Temperature range: -20°C...+80°C
Filtration absolute: 15 µm

ORDERING CODE

VRF C3C/V/ 38

Type

Port threads "G" - code:
G 3/8" - 38
G 1/2" - 12
G 3/4" - 34

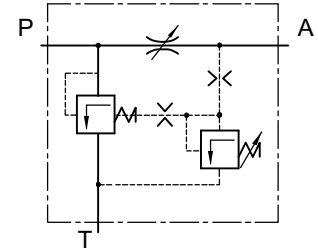
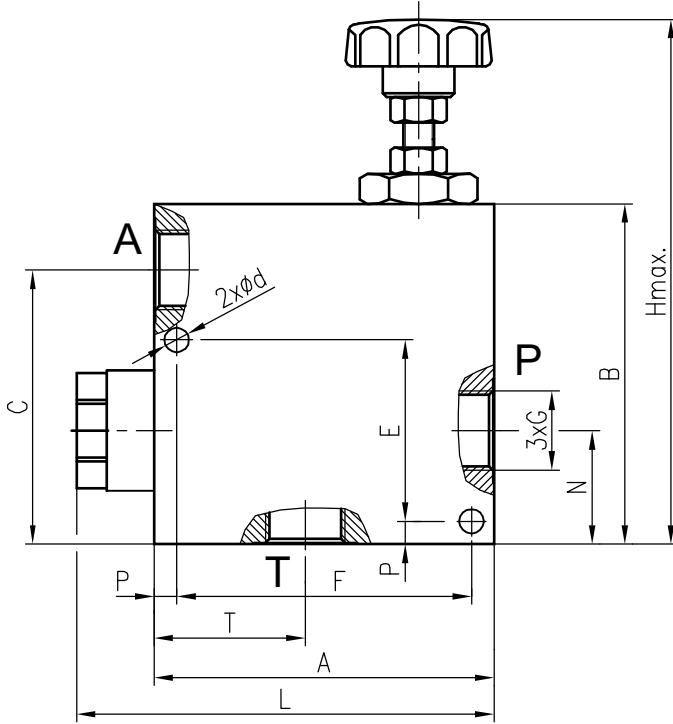


**Hidro
Pnevmo
Tehnika**

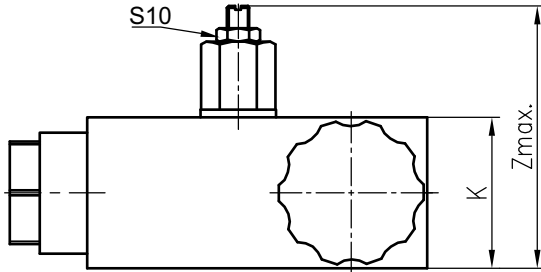
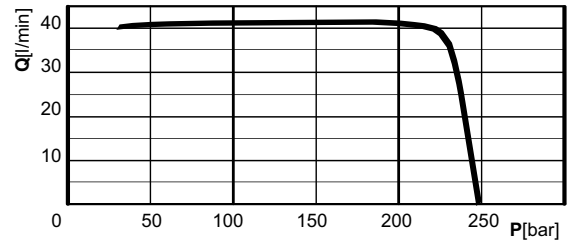
3, Vojeli St., Kazanlak, Bulgaria
Tel.: +359 431/ 62 228, 68 440
e-mail : info@hpt-bg.com
www.hpt-bg.com

FLOW CONTROL VALVE THREE-WAY

VRF C3/V/VS ..



VRF C3/V/VS38
VRF C3/V/VS12



Type	P _{max.} bar	Q _{min.} L/min	Adj. pressure range bar	Q _{max} (L/min)	
				At port P	At port A
VRF C3/V/VS38	250	2	20...250	60	40
VRF C3/V/VS12				90	50
VRF C3/V/VS34				150	90

Type	G	A	C	E	F	N	P	K	H	L	d	Z	T
	mm	mm	mm	mm	mm	mm	mm	mm	mm	mm	mm	mm	mm
VRF C3/V/VS38	G 3/8"	90	72,5	48	78	30	6	40	129	110,5	6,5	71	40
VRF C3/V/VS12	G 1/2"												
VRF C3/V/VS34	G 3/4"												

All performances and calibration are carried out by using hydraulic oil with viscosity approx. 46 cSt at 50°C.
Temperature range: -20°C...+80°C. Filtration absolute: 25µm
Valve setting pressure: 15...20 bar over the working pressure.

ORDERING CODE

VRF C3/V/VS 38

Type

Port threads "G"- code:

G3/8" - 38
G1/2" - 12
G3/4" - 34