



**Hidro  
Pnevmo  
Tehnika**

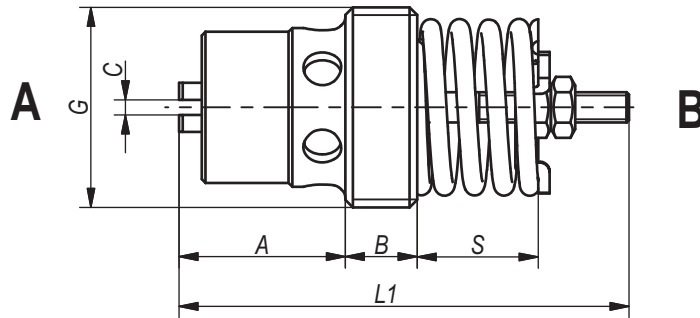
3, Vojeli St., Kazanlak, Bulgaria  
Tel.: +359 431/ 62 228, 68 440  
e-mail : info@hpt-bg.com  
www.hpt-bg.com

## ADJUSTABLE FLOW-LIMITING VALVE

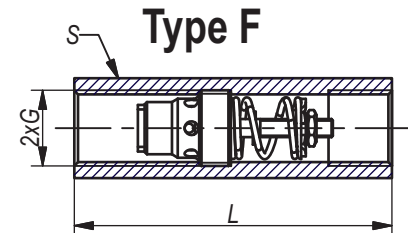
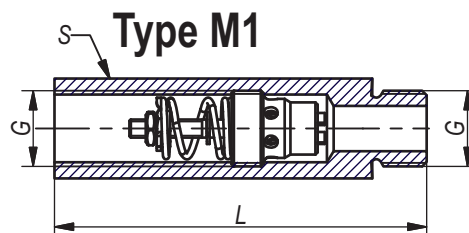
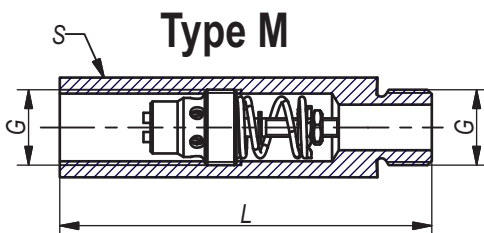
**SB . . . . .**



### Type C



Type	Flow rate range	Setting range for S	Working pressure range	L1	A	B	C	G
	L/min.							
SB 11 C	2,5...4	9,5...14,5	15...320	43	13,5	7	1,2	G3/8
SB 13 C	4...6,3							
SB 15 C	6,3...10							
SB 17 C	10...16							
SB 19 C	16...25							
SB 21 C	16...21	13...18,5		49	16	8	2	G1/2
SB 23 C	21...28							
SB 25 C	28...37							
SB 27 C	37...50							
SB 29 C	50...67							
SB 31 C	37...50	16...22	61	21	10	2	G3/4	
SB 33 C	50...67							
SB 35 C	67...90							
SB 37 C	90...120							
SB 39 C	120...150							



Type	G	L	S
		mm	mm
SB ... M(M1)	G3/8	82	22
SB ... M(M1)	G1/2	96	27
SB ... M(M1)	G3/4	106	36

Type	G	L	S
		mm	mm
SB ... F	G3/8	70	22
SB ... F	G1/2	80	27
SB ... F	G3/4	100	36

All performances and calibration are carried out by using hydraulic oil with viscosity approx. 46 cSt at 50°C  
Temperature range: -20...+80°C  
Filtration absolute: 25 μm

### ORDERING CODE

**SB 1 1 C**

