

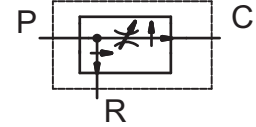
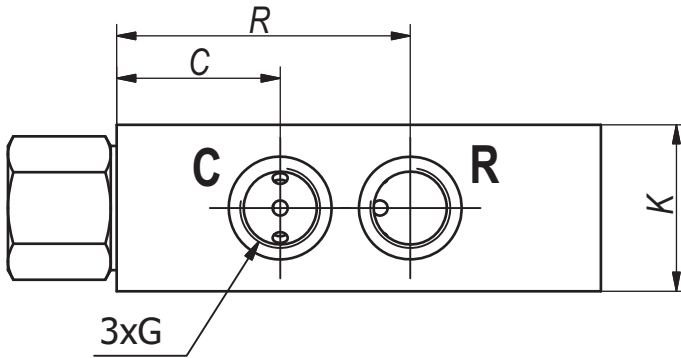


**Hidro
Pnevmo
Tehnika**

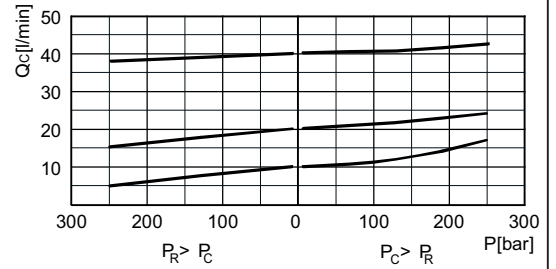
3, Vojeli St., Kazanlak, Bulgaria
Tel.: +359 431/ 62 228, 68 440
e-mail: info@hpt-bg.com
www.hpt-bg.com

**FLOW CONTROL VALVE
THREE-WAY**

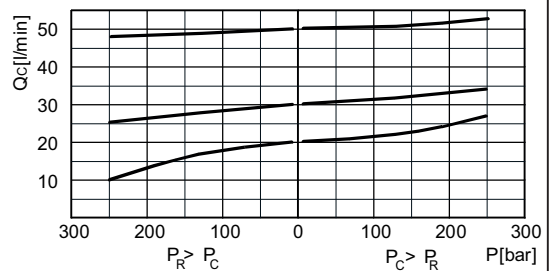
VRF C3C/V/..



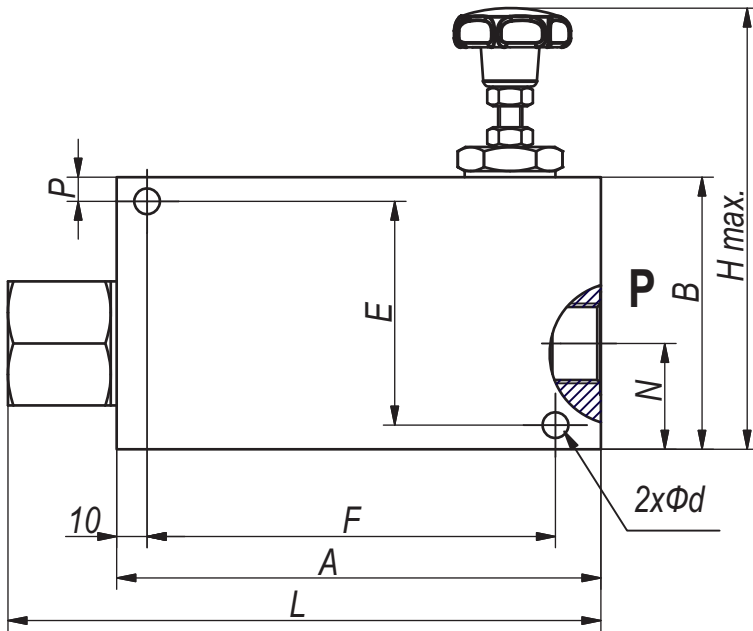
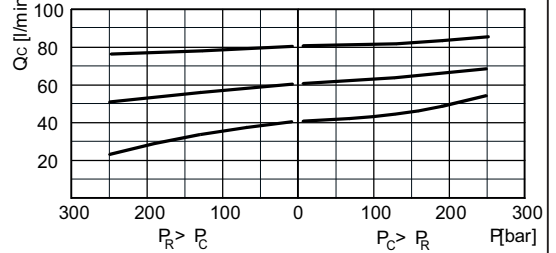
VRF C3C/V/38



VRF C3C/V/12



VRF C3C/V/34



Type	P _{max} bar	Q _{min} L/min	Q _{max} [L/min.]		G	A mm	B mm	C mm	E mm	F mm	P mm	K mm	N mm	R mm	H mm	L mm	d mm
			At port P	At port C													
VRF C3C/V/38	250	2	60	40	G3/8"	134	70	45	58	114	6	40	28	82	122	171	6,5
VRF C3C/V/12			90	50	G1/2"												
VRF C3C/V/34			165	90	G3/4"												

All performances and calibration are carried out by using hydraulic oil with viscosity approx. 46 cSt at 50°C.
Temperature range: -20°C...+80°C
Filtration absolute: 15 µm

ORDERING CODE

VRF C3C/V/ 38

Type

Port threads "G" - code:
G 3/8" - 38
G 1/2" - 12
G 3/4" - 34