

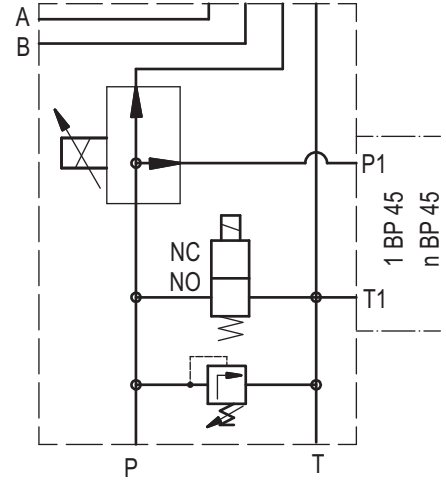
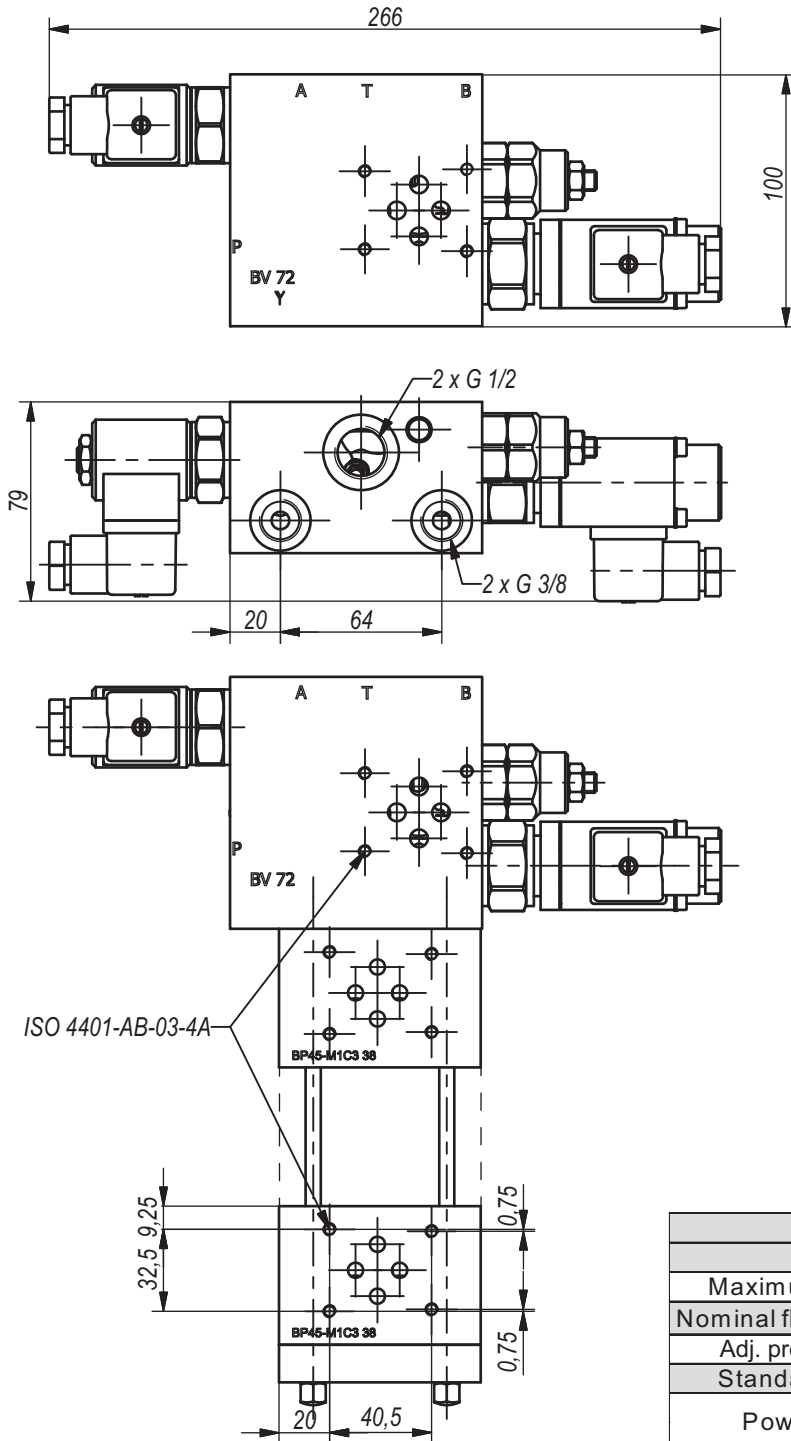
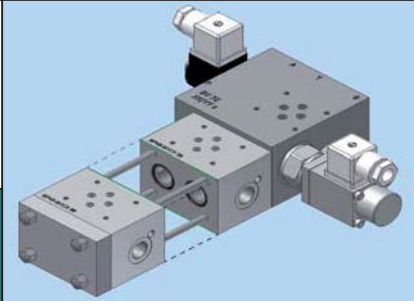


**Hidro
Pnevmo
Tehnika**

3, Vojeli St., Kazanlak, Bulgaria
Tel.: +359 431/ 62 228, 68 440
e-mail: info@hpt-bg.com
www.hpt-bg.com

VALVE BLOCKS

BV 72- ... BP45-M1C3/38



All performances and calibration are carried out by using hydraulic oil with viscosity approx 46 cSt at 50°C
Temperature range: -20...+80°C
Filtration absolute: 25 μm

TECHNICAL DATA		
	Measurement unit	Value
Maximum pressure		
Nominal flow rate of "P"	L/min	60
Adj. pressure range	bar	330...250
Standard settings	L/min	180
Power supply	VAC	110,220
	VDC	12,24

ORDERING CODE

BV 72- . BP45-M1C3/38 NC

