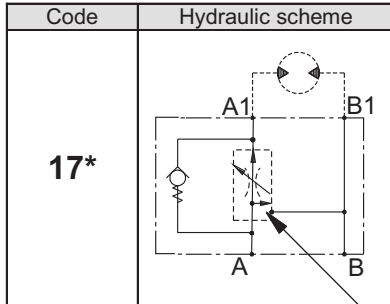


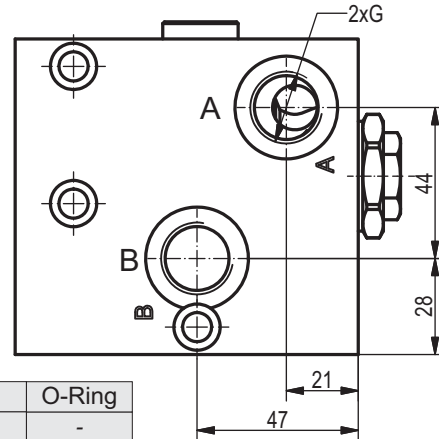
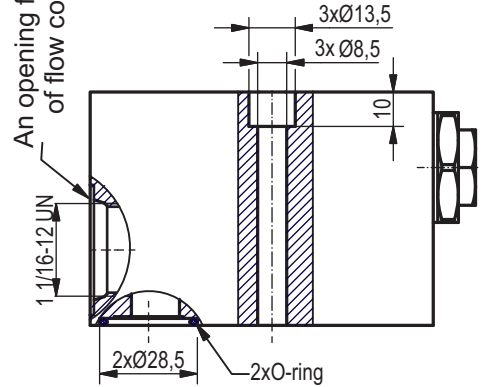
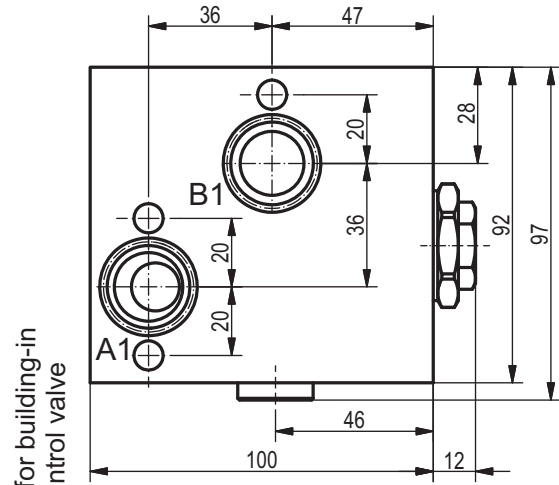
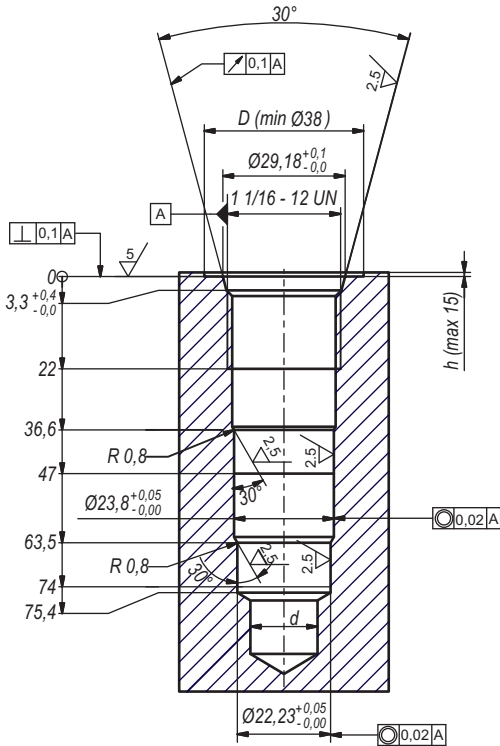
BVR .. 17

standard option



without the flow control valve***

An opening for building-in of flow control valve**



Type	Flow rate max. "A"	Max. flow at "A1"	Pmax.	Port threads G	O-Ring
	L/min	L/min	bar	-	-
BVR 1217*	80	57	250	G1/2 - DIN 3852	23,6x2,65

* The BVR1217 block is offered without the flow control valve

** The socket is for POCLAIN HYDRAULICS flow control valve type TVTP- (25; 50; 60)

*** The flow control valve is assembled by the customer

ORDERING CODE

BV R 12 17

