



**Hidro  
Pnevmo  
Tehnika**

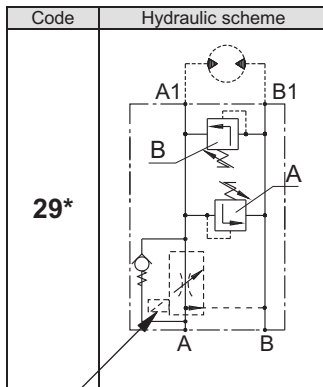
3, Vojvodi St., Kazanlak, Bulgaria  
Tel.: +359 431/62 228  
e-mail: [info@hpt-bg.com](mailto:info@hpt-bg.com)  
[www.hpt-bg.com](http://www.hpt-bg.com)

## HYDRAULIC MOTOR BLOCKS TYPE BV

**BVR 12 29-.../A... - B... /...**

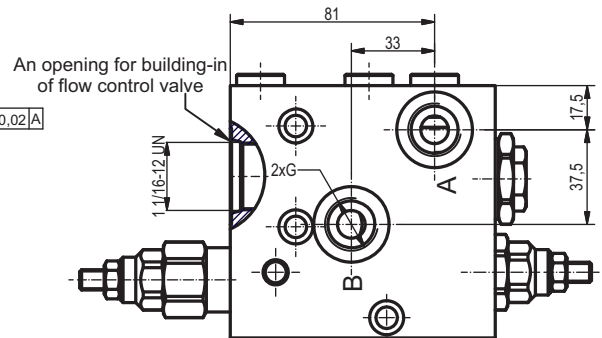
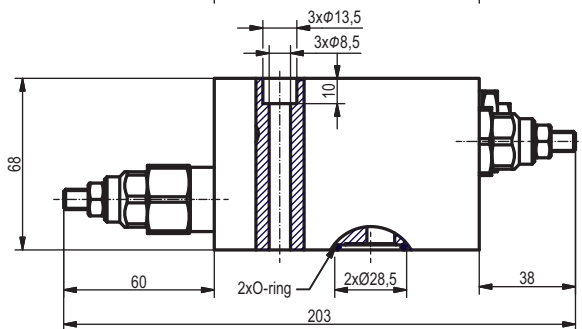
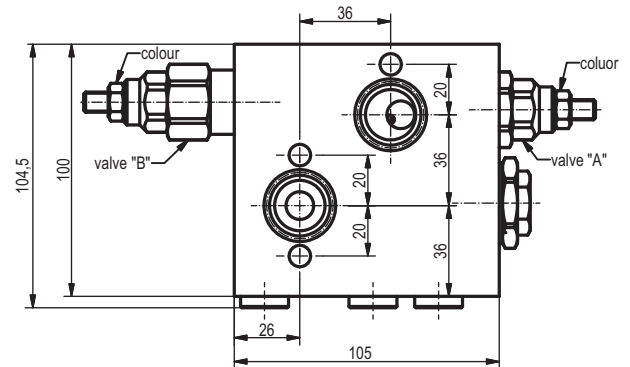
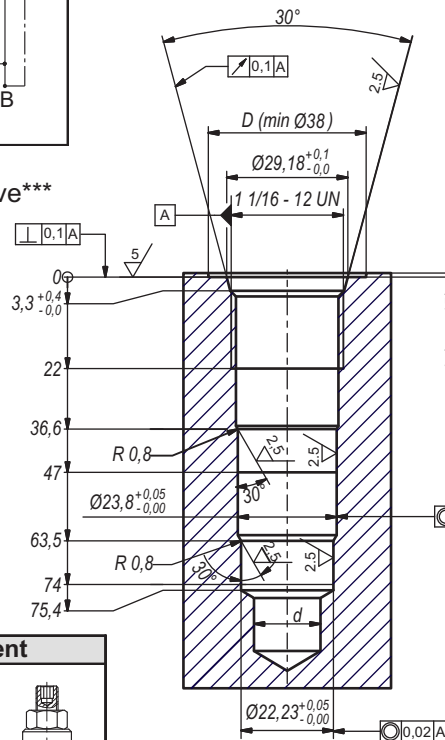


standard option



without the flow control valve\*\*\*

An opening for building-in of flow control valve\*\*



An opening for building-in of flow control valve

Code	Adjustment
A	Leakproof hex. socket screw
B	Handknob and locknut
C	Sealing cap

Pressure range			
Code	Standard setting (Q=5l/min)	Adj. pressure range	Colour
	bar	bar	
10	80	10...100	White
25	180	30...250	Yellow

Type	Flow rate max. "A"	Max. flow at "A1"	Pmax.	Port threads G	O-Ring
	L/min	L/min	bar		
BVR 1229/A...-B... /...*	80	57	250	G1/2 - DIN 3852	23,6x2,65

\* The BVR1229/A...-B... block is offered without the flow control valve

\*\* The socket is for POCLAIN HYDRAULICS flow control valve type TVTP- (25; 50; 60)

\*\*\* The flow control valve is assembled by the customer

### ORDERING CODE

**BV R 12 29 / A10 A - B25 A / 24**

Operating voltage-code:  
12V/00Hz - 12  
24V/00Hz - 24

Type

Hydraulic motor type - code:  
MP or MR - R

Adjustment code:  
A; B; C  
(see table above)

Adjustment code:  
A; B; C  
(see table above)

Port threads G - code  
G1/2 - 12

Scheme code:  
29

Pressure range code  
valve "A":  
10; 25

Pressure range code  
valve "B":  
10; 25