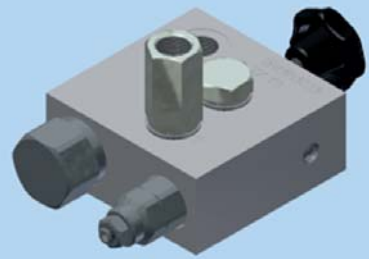




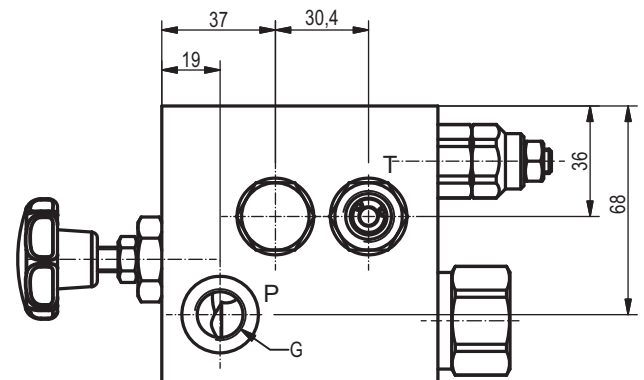
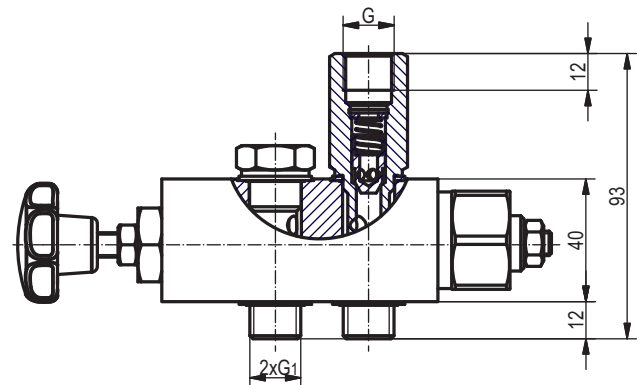
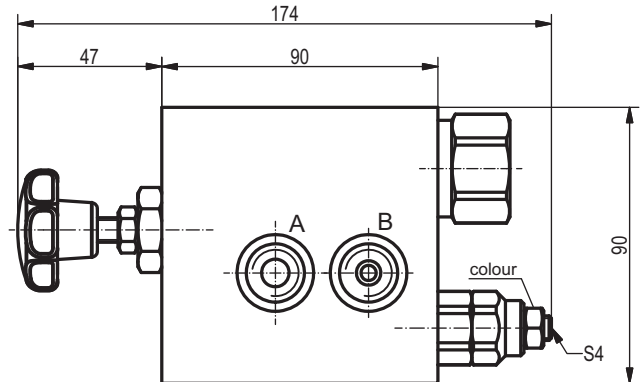
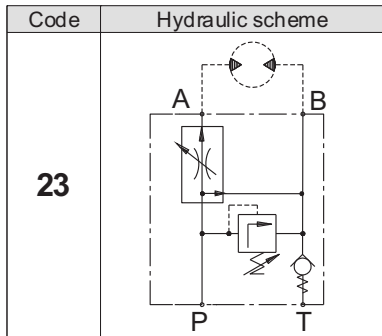
**Hidro
Pnevmo
Tehnika**

3, Vojeli St., Kazanlak, Bulgaria
Tel.: +359 431/ 62 228, 68 440
e-mail : info@hpt-bg.com
www.hpt-bg.com

HYDRAULIC MOTOR BLOCKS TYPE BV



BVMH 38 23/.. .



Pressure range relief valve

| Code | Standard setting (Q=5l/min) bar | Adj. pressure range bar | Colour |
|------|------------------------------------|----------------------------|--------|
| 10 | 80 | 10...100 | White |
| 25 | 180 | 30...250 | Yellow |

| Code | Adjustment - relief valve |
|------|-----------------------------|
| A | Leakproof hex. socket screw |
| B | Handknob and locknut |
| C | Sealing cap |

| Type | Nom. flow rate | P _{max.} | Port threads G | Port threads G1 |
|------------------|----------------|-------------------|-----------------|-----------------|
| | L/min | bar | - | - |
| BVMH 3823 /... . | 25 | 250 | G3/8 - DIN 3852 | G3/8 |

ORDERING CODE

BV M H 38 23 / 10 A

