

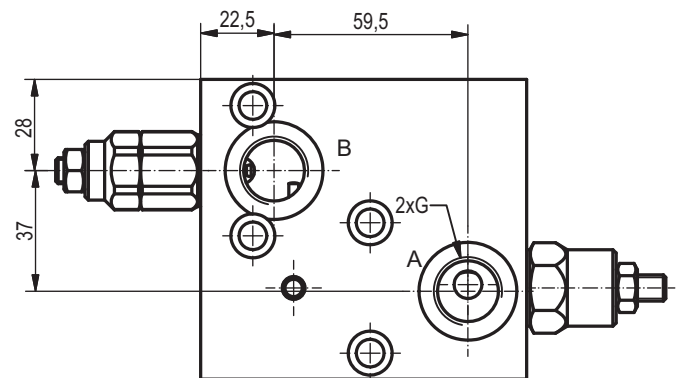
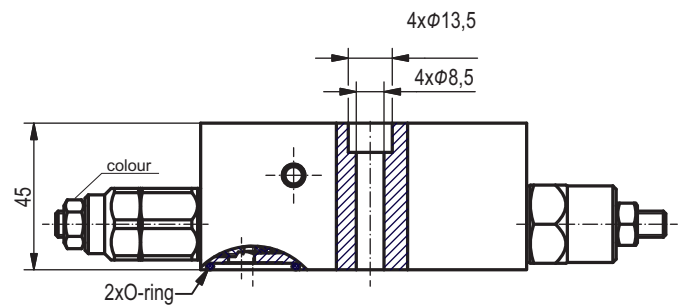
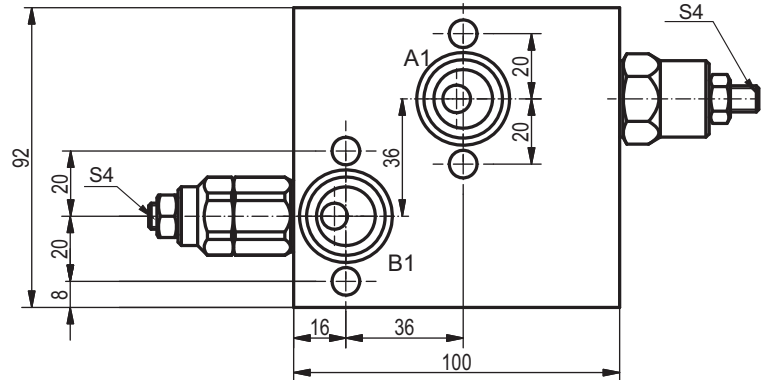
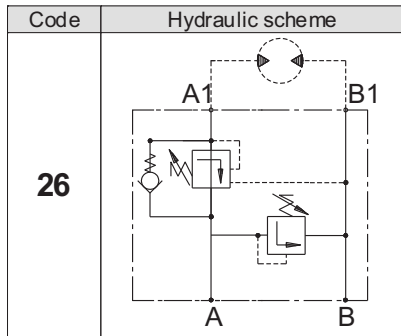


**Hidro
Pnevmo
Tehnika**

3, Vojeli St., Kazanlak, Bulgaria
Tel.: +359 431/ 62 228, 68 440
e-mail : info@hpt-bg.com
www.hpt-bg.com

HYDRAULIC MOTOR BLOCKS TYPE BV

BVR 12 26/.. .



Pressure range relief valve

Code	Standard setting (Q=5l/min)	Adj. pressure range	Colour
	bar	bar	
10	80	10...100	White
25	180	30...250	Yellow

Code	Adjustment
A	Leakproof hex. socket screw
B	Handknob and locknut
C	Sealing cap

Type	Nominal flow rate	Adj. pressure range overcenter valve	Pressure ratio overcenter valve	Pmax.	Port threads G
	L/min	bar	-	bar	-
BVR 1226/.. .	50	60...250	4,25:1	250	G1/2 - DIN 3852

ORDERING CODE

BV R 12 26 / 10 A

