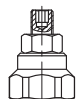
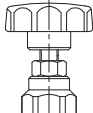
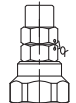
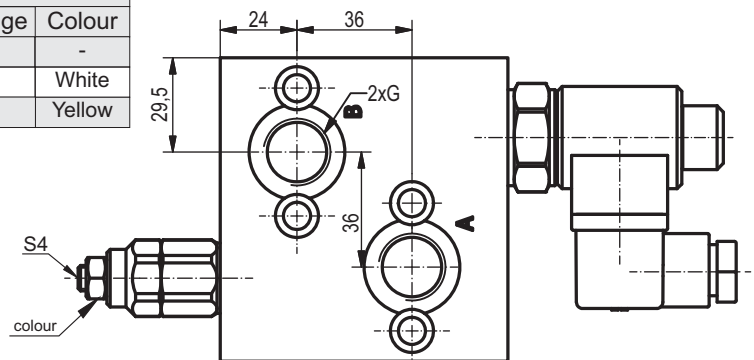


| Pressure range | | | |
|----------------|-----------------------------|---------------------|--------|
| Code | Standard setting (Q=5l/min) | Adj. pressure range | Colour |
| | bar | bar | |
| 10 | 80 | 10...100 | White |
| 25 | 180 | 30...250 | Yellow |

| Code | Adjustment |
|----------|---|
| A | Leakproof hex. socket screw  |
| B | Handknob and locknut  |
| C | Sealing cap  |



| Type | Nominal flow rate | P _{max.} | Port threads G | O-Ring |
|----------------------|-------------------|-------------------|-----------------|-----------|
| | L/min | bar | | |
| BVR 12.../... | 60 | 250 | G1/2 - DIN 3852 | 23,6x2,65 |

ORDERING CODE

BV R 12 27A 24 / 25 A

