



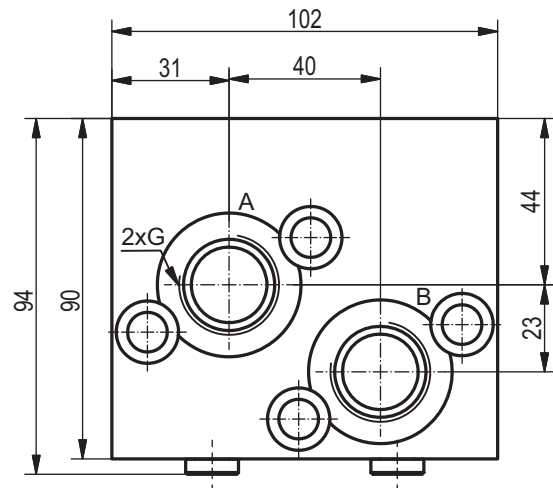
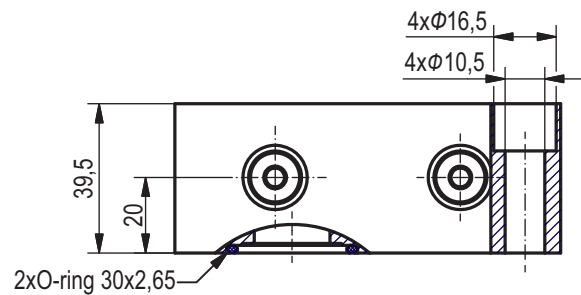
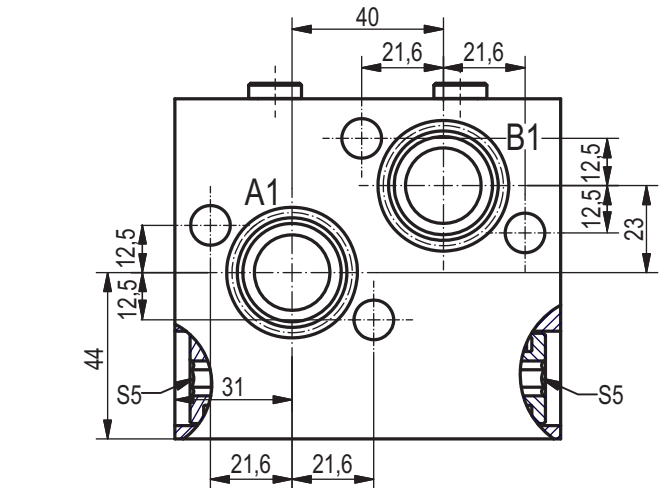
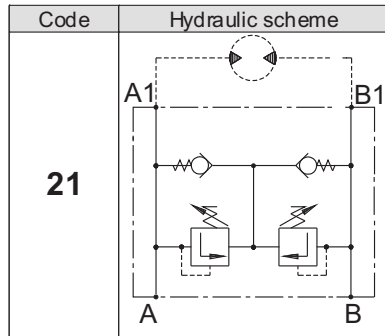
**Hidro
Pnevmo
Tehnika**

3, Vojeli St., Kazanlak, Bulgaria
Tel.: +359 431/ 62 228, 68 440
e-mail : info@hpt-bg.com
www.hpt-bg.com

HYDRAULIC MOTOR BLOCKS TYPE BV



BVT 34 21/...



Pressure range	
Code	Standard setting (Q=5l/min) bar
80	80
120	120
175	175
210	210

Type	Nom. flow rate	P _{max.}	Port threads G
	L/min	bar	-
BVT 3421/..	100	250	G3/4 - DIN 3852

ORDERING CODE

BV R 34 21 / 80

