

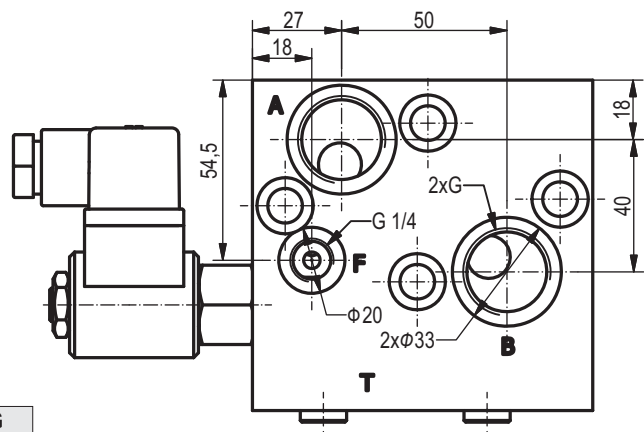
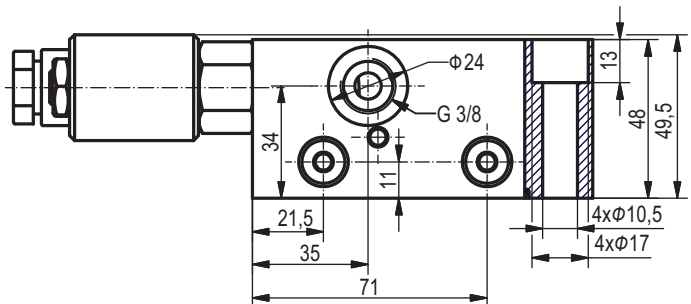
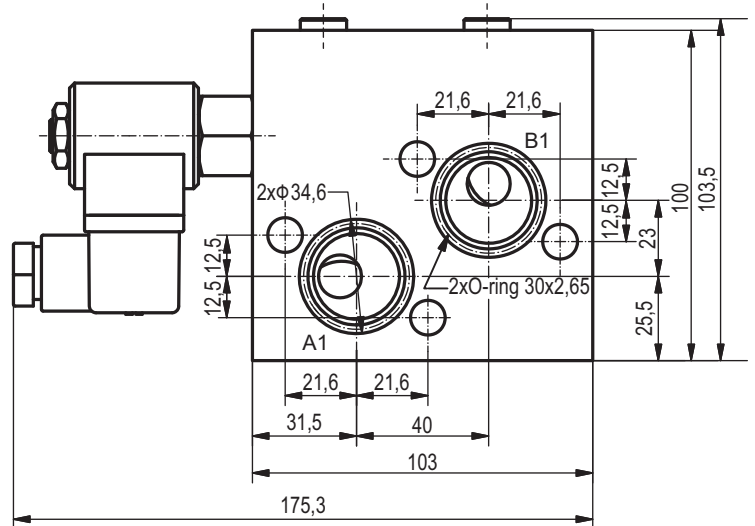
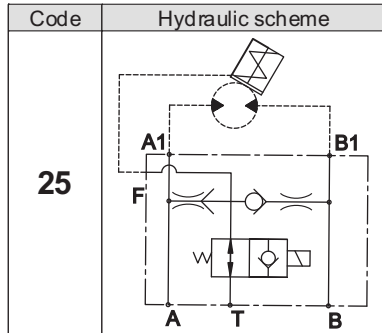
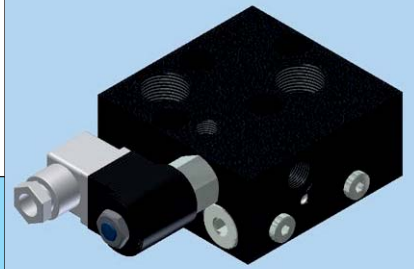


**Hidro
Pnevmo
Tehnika**

3, Vojeli St., Kazanlak, Bulgaria
Tel.: +359 431/ 62 228, 68 440
e-mail : info@hpt-bg.com
www.hpt-bg.com

HYDRAULIC MOTOR BLOCKS TYPE BV

BVT 34 25



Type	Nom. flow rate	$P_{max.}$	Port threads G
	L/min	bar	-
BVT 3425 / ...	100	200	G3/4 - DIN 3852

ORDERING CODE

BV T 34 25 / 12

