



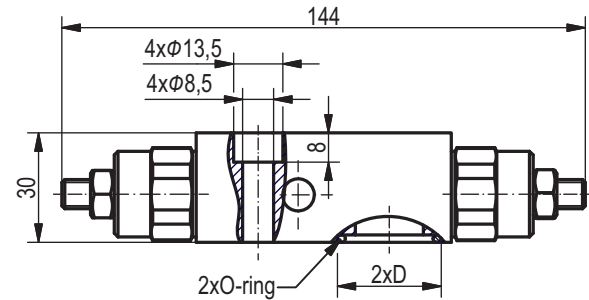
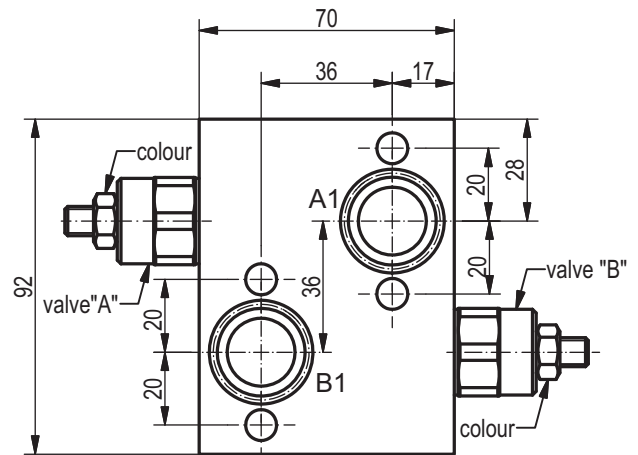
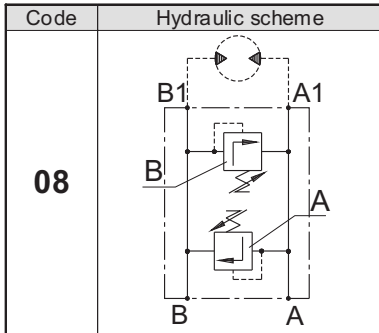
**Hidro  
Pnevmo  
Tehnika**

3, Vojeli St., Kazanlak, Bulgaria  
Tel.: +359 431/62 228  
Fax.: +359 431/62 019  
e-mail: [info@hpt-bg.com](mailto:info@hpt-bg.com)  
[www.hpt-bg.com](http://www.hpt-bg.com)

## HYDRAULIC MOTOR BLOCKS TYPE BV

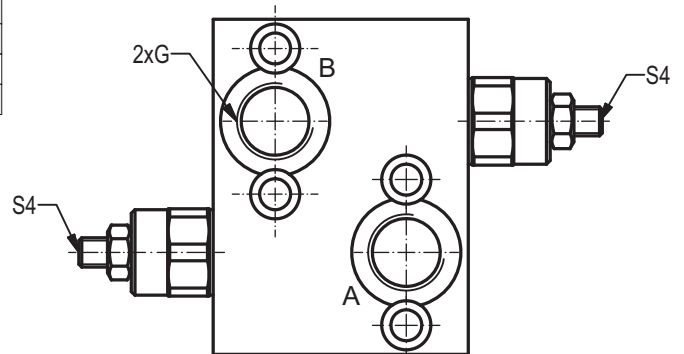


**BVR .. 08/ ... -... - 1**



Pressure range			
Code	Standard setting (Q=5l/min)	Adj. pressure range	Colour
	bar	bar	
<b>10</b>	80	10...100	White
<b>25</b>	180	30...250	Yellow

Code	Adjustment
<b>A</b>	Leakproof hex. socket screw
<b>B</b>	Handknob and locknut
<b>C</b>	Sealing cap



Type	Nom. flow rate	P <sub>max.</sub>	Port threads G	D	O-ring
	L/min	bar	-	mm	-
<b>BVR 1208 /... -... -1</b>	60	250	G1/2 - DIN 3852	28,5	23,6x2,65
<b>BVR 7808 /... -... -1</b>	60	250	7/8-14UNF - ISO 1192	29,3	26x2
<b>BVR 2208 /... -... -1</b>	60	250	M22x1,5 - DIN 3852	28,5	23,6x2,65

### ORDERING CODE

**BV R 12 08 / A10 A - B25 A - 1**

### Modification

Type

Hydraulic motor type - code:  
MP or MR - **R**

Port threads G - code  
G1/2 - **12**  
7/8-14 UNF - **78**  
M22x1,5 - **22**

Scheme code:  
**08**

Adjustment code:  
**A; B; C**  
(see table above)

Pressure range code  
valve "A":  
**10; 25**

Adjustment code:  
**A; B; C**  
(see table above)

Pressure range code  
valve "B":  
**10; 25**