



**Hidro
Pnevmo
Tehnika**

3, Vojeli St., Kazanlak, Bulgaria
Tel.: +359 431/ 62 228, 68 440
e-mail: info@hpt-bg.com
www.hpt-bg.com

IN-LINE DUAL OVERCENTER VALVE

OWC/DE-../..

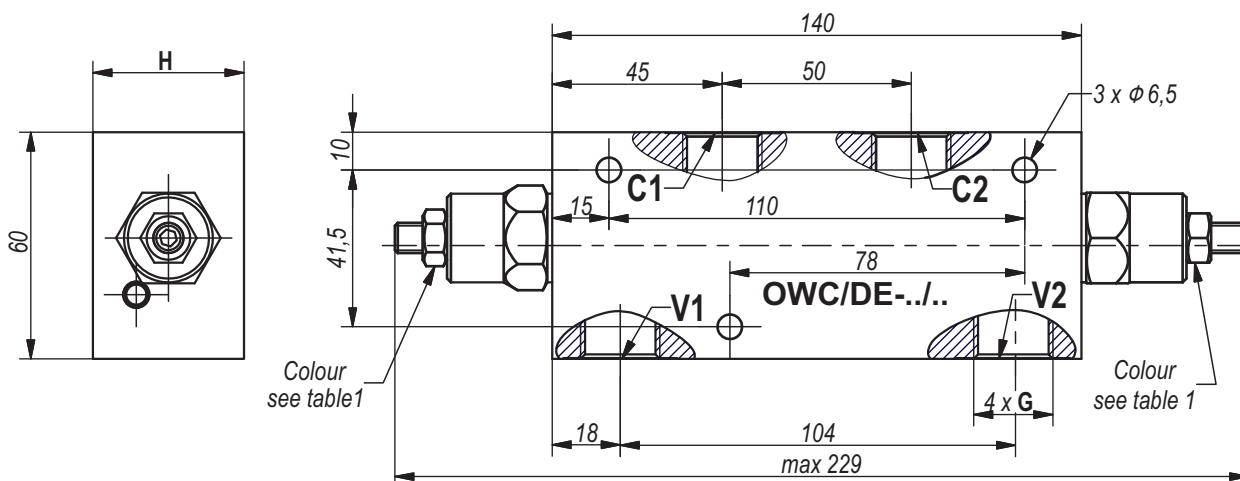
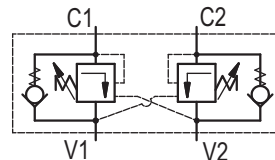
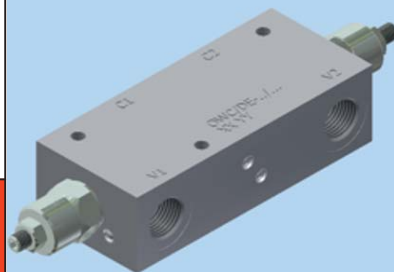


Table 1

Code	Pressure range		Pilot ratio	Colour
	Standard setting (Q=5l/min) bar	Adj. pressure range bar		
25	100	60...250	4,26:1	White
35	250	100...350	4,26:1	Yellow

Table 2

Type	Q nom.	G	H	Body material
	L/m in.			
OWC/DE-14/25	30	G 1/4"-DIN 38 52	30	Aluminum
OWC/DE-38/25	35	G 3/8"-DIN 38 52	30	Aluminum
OWC/DE-12/25	50	G 1/2"-DIN 38 52	40	Aluminum
OWC/DE-14/35	30	G 1/4"-DIN 38 52	30	Steel
OWC/DE-38/35	35	G 3/8"-DIN 38 52	30	Steel
OWC/DE-12/35	50	G 1/2"-DIN 38 52	30	Steel
OWC/DE-14/25 L	30	G 1/4"-DIN 38 52	30	Brass
OWC/DE-14/35 L	30	G 1/4"-DIN 38 52	30	Brass
OWC/DE-38/25 L	35	G 3/8"-DIN 38 52	30	Brass
OWC/DE-38/35 L	35	G 3/8"-DIN 38 52	30	Brass
OWC/DE-12/25 L	50	G 1/2"-DIN 38 52	40	Brass
OWC/DE-12/35 L	50	G 1/2"-DIN 38 52	40	Brass

All performances and calibration are carried out by using hydraulic oil with viscosity approx. 46 cSt at 50°C.

Working fluid - mineral oil with:
- viscosity - 10...100 cSt;
- temperature - -20...+80°C;
- filtration level - 25 µm.

ORDERING CODE

OWC/DE - 38/25 L

