

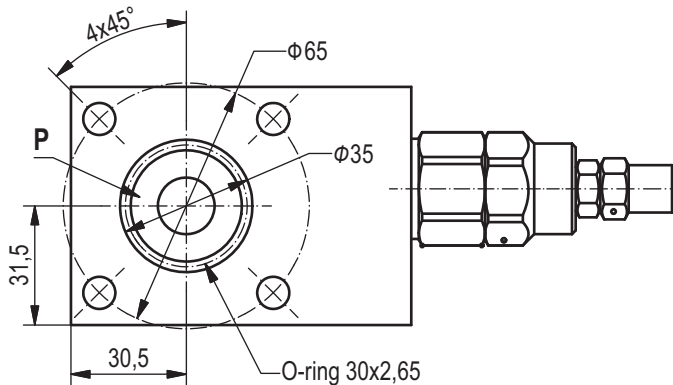
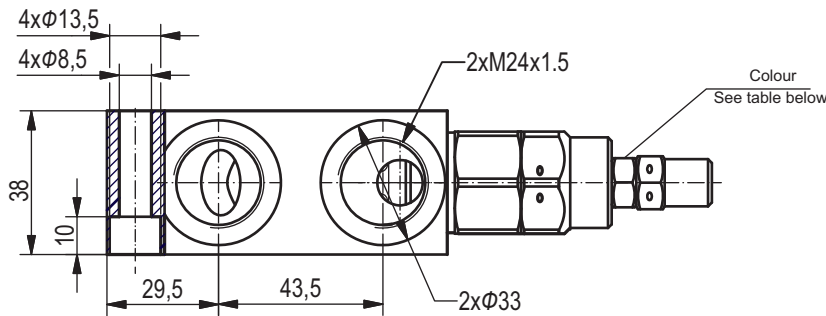
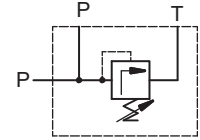
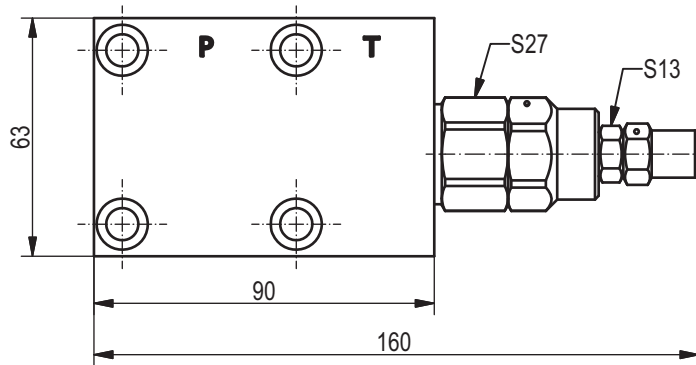
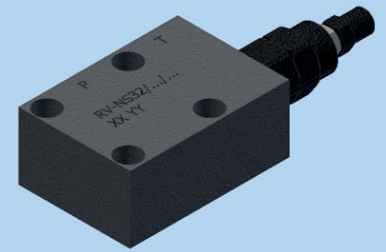


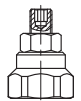
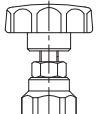
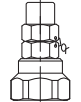
**Hidro
Pnevmo
Tehnika**

3, Vojeli St., Kazanlak, Bulgaria
Tel.: +359 431/ 62 228, 68 440
e-mail: info@hpt-bg.com
www.hpt-bg.com

RELIEF VALVE

RV-NS32/...-...



Code	Adjustment
A	Leakproof hex. socket screw 
B	Handknob and locknut 
C	Sealing cap 

Type	P _{max.} bar	Q _{nom.} L/min
RV-NS32/10/...	100	60
RV-NS32/25/...	250	60

Code	Pressure range		Colour
	Adj. pressure range	Standard setting (Q=5 L/min)	
10	10...100	80	White
25	30...250	180	Yellow

Note: 1. All performances and calibrations are carried out by using hydraulic oil with viscosity approx. 46 cSt at 50°C
2. Working fluid: Viscosity - 10...100 mm²/s. Temperature range:-20°C...+80°C. Filtration absolute: 25 µm.

ORDERING CODE

