

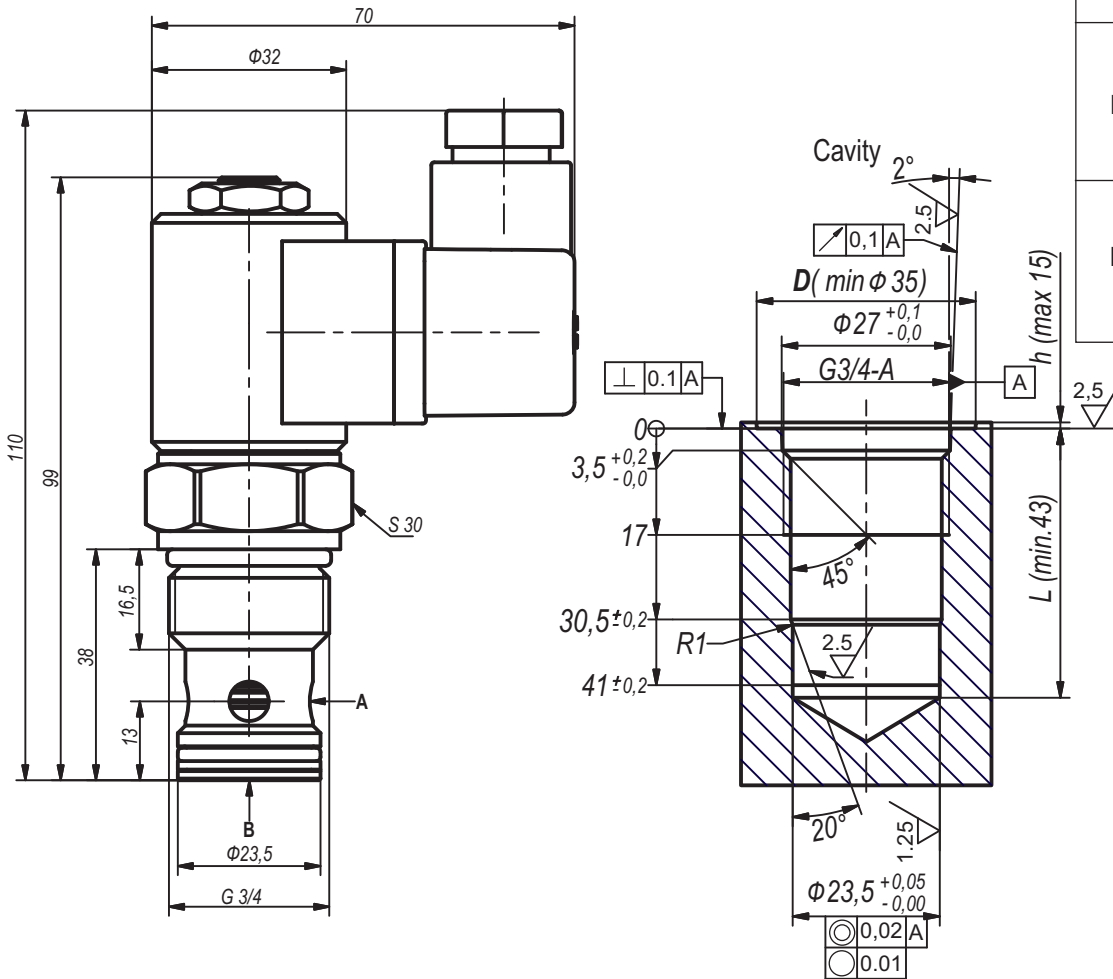
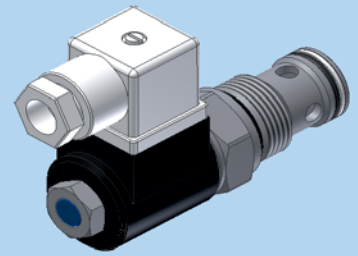


**Hidro
Pnevmo
Tehnika**

3, Vojeli St., Kazanlak, Bulgaria
Tel.: +359 431/ 62 228, 68 440
e-mail: info@hpt-bg.com
www.hpt-bg.com

SOLENOID VALVES

SV13..-...



Code	Hydraulic scheme
A	 normally open
B	 normally closed
E	 normally open with reverse flow de-energized
F	 normally closed with reverse flow de-energized

TECHNICAL DATA		
	Measurement unit	Value
Maximum pressure	bar	250
Nominal flow	L/min	60

All performances and calibration are carried out by using hydraulic oil with viscosity approx 46 cSt at 50 °C.
Temperature range: -20...+80 °C
Filtration absolute: 25 μm

ORDERING CODE

SV13 B 1 - 12

