

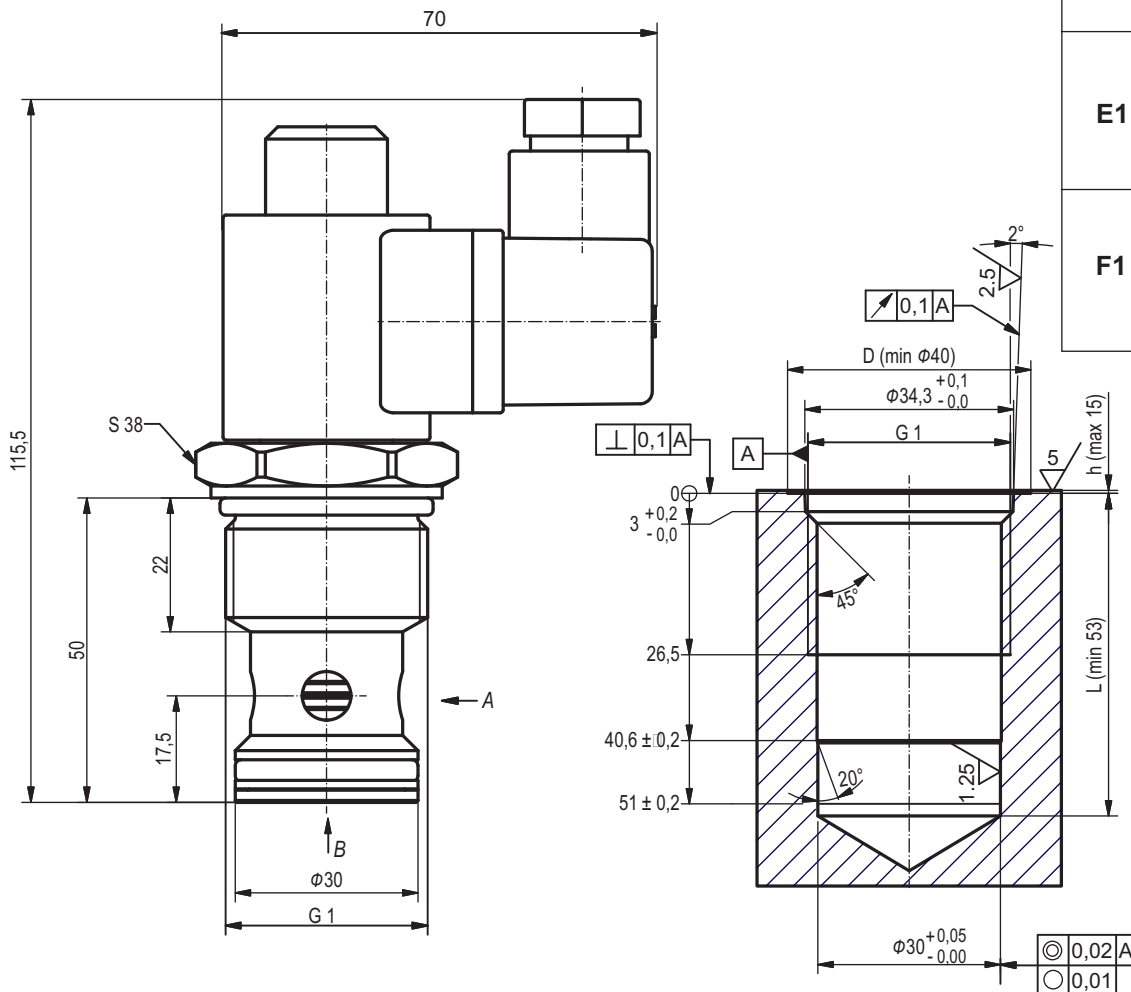
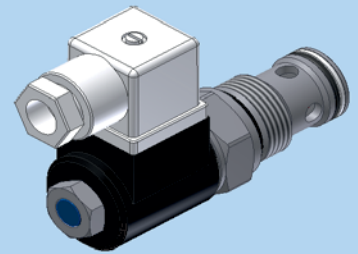


**Hidro
Pnevmo
Tehnika**

3, Vojeli St., Kazanlak, Bulgaria
Tel.: +359 431/ 62 228, 68 440
e-mail: info@hpt-bg.com
www.hpt-bg.com

SOLENOID VALVES

SV15...-



Code	Hydraulic scheme
A1	normally open
B1	normally closed
E1	normally open with reverse flow de-energized
F1	normally closed with reverse flow de-energized

TECHNICAL DATA		
	Measurement unit	Value
Maximum pressure	bar	250
Nominal flow	L/min	120

All performances and calibration are carried out by using hydraulic oil with viscosity approx 46 cSt at 50 °C.
Temperature range: -20...+80 °C
Filtration absolute: 25 μ m

ORDERING CODE

SV15 B 1 - 12

